



Dino DC410Ri T4 SURFACE DRILLS

TECHNICAL SPECIFICATION

Dino DC410Ri is a hydraulic, self-propelled, self-contained, crawler based surface drilling unit with full radio remote control.

Typical applications for DC410Ri are road construction, demolition works, secondary breaking, foundation drilling and trenching. Therefore DC410Ri is most often used by construction contractors, quarries and the municipal sector. Due to its versatility DC410Ri is a perfect machine for drilling and blasting contractor.

KEY FEATURES

Hole diameter:	51 - 76 mm (2" - 3")
Rock tools:	R32, T35, T38
Rock Drill	14 kW
Engine output:	105 kW (Tier4 final)
Flushing air:	3,5 m ³ /min, up to 8 bar
Production capacity:	600 - 1200 m ³ /8h
Total weight :	abt. 10 000 kg



STANDARD COMPONENTS

Rock drill RD414
Feed CF400
Rod handler
One rod add
Boom DB410
articulated
Carrier, track mounted
Power pack
diesel engine, hydraulic pumps and on-board compressor
Dust collector
DC400
Control system
radio remote control
Hydraulic system, electric load sensing
Gauge Set
For rock drill accumulators
Manuals
1 x paper copy
Manuals
1 x USB memory (Toolman)
Standard features:
Hose reel
Real time rock drill position
Stainless steel strips for feed
Safety cage for feed
Pressure filter for percussion line
Torque control
Led Lights 6 pcs
Oil heating circulation
Flushing control automatics
Shutdown of suction for waterholes

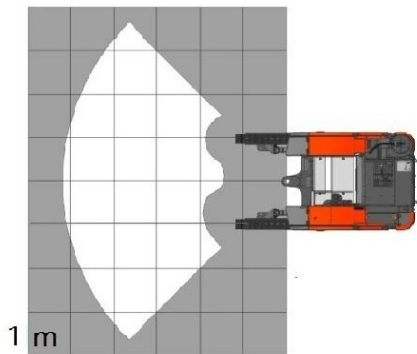
SELECTION OF OPTIONS

Spirit level angle indicator
TIM 5200 for vertical holes
TIM 5300 for vertical holes and depth measuring
TIM 6300 inclined holes, depth measuring and GPS aiming
TIM 6500 inclined holes, depth measuring, laser level and GPS aiming
RAMP UP OPTION TIM 6700 for Dino (TIM6500 with drill depth output only.)
TIM auto aligning DC410
Rod Handler (1+2)
RAMP UP OPTION Drilling noise silencer "NoiseShield-DC"
Kit for alternative steels, each
SLU based thread greasing
Hydraulic roll-over DC400
Central lubrication system Sandvik
Electric fuel filling pump
Hydraulic winch
Remote screen interface (Tablet or mobile phone not included)
Electric engine heater and float charger 230 V
Fuel powered heater for engine, SLU and water tank (if selected)
Dustmizer with flap feeder
Flap feeder for dust collector
Precyclone for dust collector
Grinder Sandvik RG400
Hydraulic connection for grinder
Spare radio remote transmitter
First service kit for DC400
Special tools for RD414, field kit
Service agreement - select level from extra item
SanRemo - select level from extra item

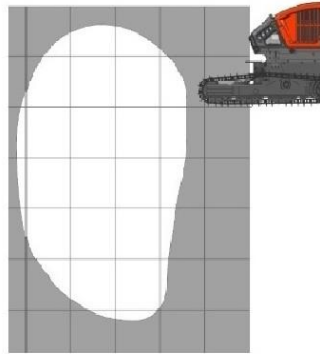
THE JAWS FOR DRILL STEELS

DRILL STEEL TYPE	DRILL STEEL DIAMETER	RECOMMENDED HOLE DIAMETER
R32	R32 / 32 mm	51 – 76 mm
T35	T35 / 39 mm	54 – 76 mm
T38	T38 / 39 mm	64 – 76 mm

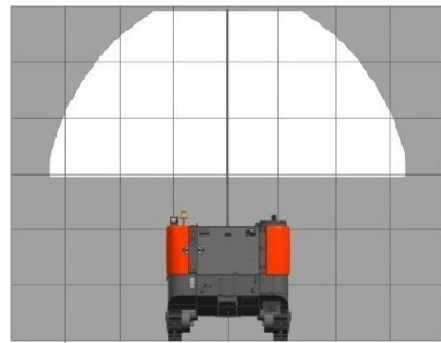
COVERAGE AREA AND DIMENSIONS



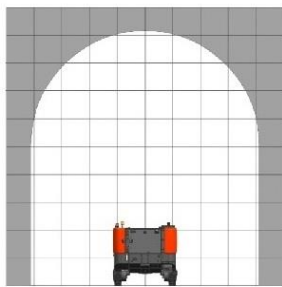
Vertical drilling



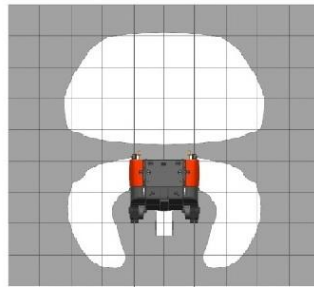
Vertical drilling



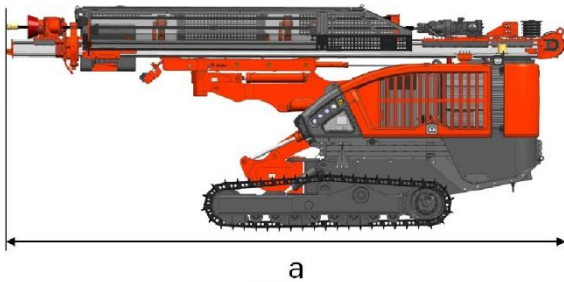
Horizontal drilling forward



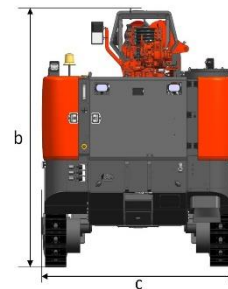
Bolting with roll-over



Face drilling with roll-over



a

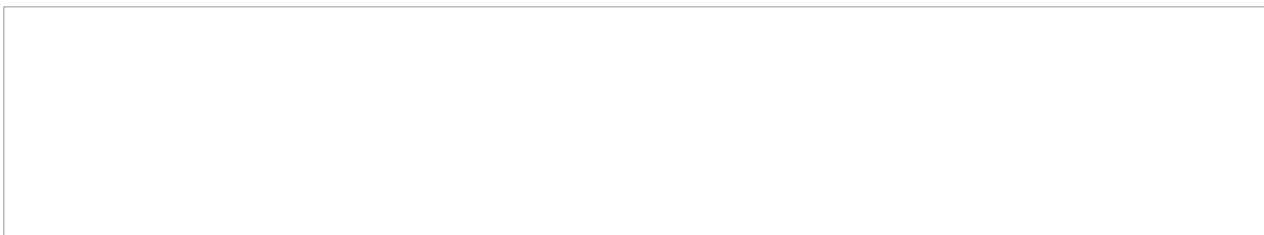


b

c

DIMENSIONS

Weight	abt. 10 000 kg
Width	c, 2350 mm
Height	b, 2850 mm
With roll-over	b, 3000 mm
Total length	a, 6900 mm



Sandvik Mining and Rock Technology reserves the right to make changes to the information on this data sheet without prior notification to users. Please contact a Sandvik representative for clarification on specifications and options.

ROCKTECHNOLOGY.SANDVIK