

Commando DC300Ri S5 SURFACE DRILLS

Technical specification

Commando DC300Ri is a hydraulic, self-propelled drilling unit on a 4-wheel, oscillated drive carrier, surface drilling unit with full radio remote control.

Typical applications for DC300Ri are road construction, demolition works, secondary breaking, foundation drilling, trenching and occasional bolting. Therefore DC300Ri is most often used by construction contractors, quarries and the municipal sector. Due to its versatility DC300Ri is a perfect machine for drilling and blasting contractor.

KEY FEATURES

Hole diameter:	37 - 64 mm (1 1/2" - 2 1/2")
Rock tools:	R28, R32, T35
Rock Drill	9 kW
Engine output:	74,4 kW (Tier 4F/EU StageV)
Flushing air:	3 m ³ /min, up to 8 bar
Production capacity:	450 - 800 m ³ /8h
Total weight :	6100 kg (dry weight)





HYDRAULIC ROCK DRILL

Rock drill	HL300
Rock tools	R28, R32, T35
Operating pressure	180 bar
Percussion output power	9 kW
Maximum rotation torque	500 Nm at 170 bar
Shank lubrication	Air / oil mist
Flushing	Air
Weight	92 kg

FEED

Feed type	Chain feed CF300
Total length	5695 mm
Rock drill travel	4065 mm
Max. length of starter rod	4265 mm (14')
Hole depth with starter rod	3800 mm
Feed/pull out force	20 kN maximum retrac, 6,5 kN drilling max.
Feed swing	45/45°
Feed tilt	(-15/+45°)

ROD CHANGER

Rod changer type	RH400
Storage capacity	1
Rod length	14' + 12'
Max. hole depth	7,55 m

BOOM

Boom type	DB300, articulated
Boom reach	4,3 m
Drilling coverage	12 m ²
Boom swing	+/- 45°
Collaring height	+ 1,9 m / - 3,2 m
Horizontal holes	Sideways, forwards (with roll-over option)

POWERPACK

Engine type	Caterpillar C3.6TA (Tier4F/StageV)
DEF tank	AdBlue, 19 L
Max. tilt angles	35°
Number of cylinders	4
Engine output	74,4 kW / 2200 rpm
Transmission type	Gearbox
Screw compressor type	Enduro 12
Air filters	2 pcs (FGP090)
Fuel tank	110 L

HYDRAULIC SYSTEM

Number of gear pumps	4 pcs.
Filtration rate	10 micron abs.
Cooling capacity	up to +50°C ambient
Hydraulic oil tank	90 l
Shank lubrication device	SLU 14

CONTROL SYSTEM

Control system type	Sandvik SICA, PLC controlled proportional electro- hydraulics
Tramming/boom/ drilling control	PLC controlled
User interface	Radio remote and screen
Control system diagnostics	Graphical flow chart diagnostic system
Drilling control system type	iTorque
Antijamming system	For rotation and flushing
Collaring control	Automatic
Preset drilling parameters	2 adjustable
Voltage	24 VDC

DUST COLLECTOR

Dust collector type	DC400H
Capacity/vacuum	16 m ³ /min at 855 mm vacuum H ₂ O
Filter elements/material	9 pcs/fiber
Total filter surface	7,2 m ²
Primary cyclone	n/a
Movable suction head	Fixed suction head standard

CARRIER

Ground clearance	380 mm
Tramming force	43 kN at 280 bar with one pump drive, 31 kN at 200bar with two pump drive, 26 kN at 170 bar three pump drive
Max. tramming speed	Slow 2,4 km/h, fast 3,6 km/h standard and 4,7 km/h max speed with fast tramming option



STANDARD COMPONENTS

1 pc	Rock drill HL 300, hydraulic, OMSU80
1 pc	Chain feed CF 300 x 14/Pito 1, incl. one set of jaws
1 pc	Boom DB 300 HD, articulated
1 pc	Carrier, rubber-tyred
1 pc	Power pack, diesel driven, hydraulic pumps and on-board compressor
1 pc	Hydraulic system, open center
1 pc	Sandvik SICA, PLC controlled proportional electro-hydraulics, electric, radio remote for boom, drilling and tramming controls
1 pc	Dust collection system DC 410H, hydraulic
4 pcs	Working lights
4 pcs	Hydraulic jacks
1 pc	Operator's manual (paper copy)

THE JAWS FOR DRILL STEELS

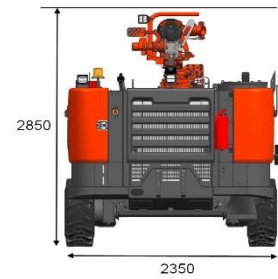
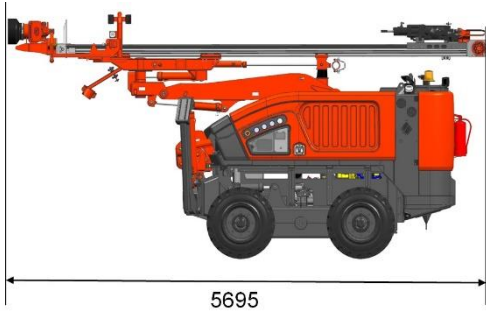
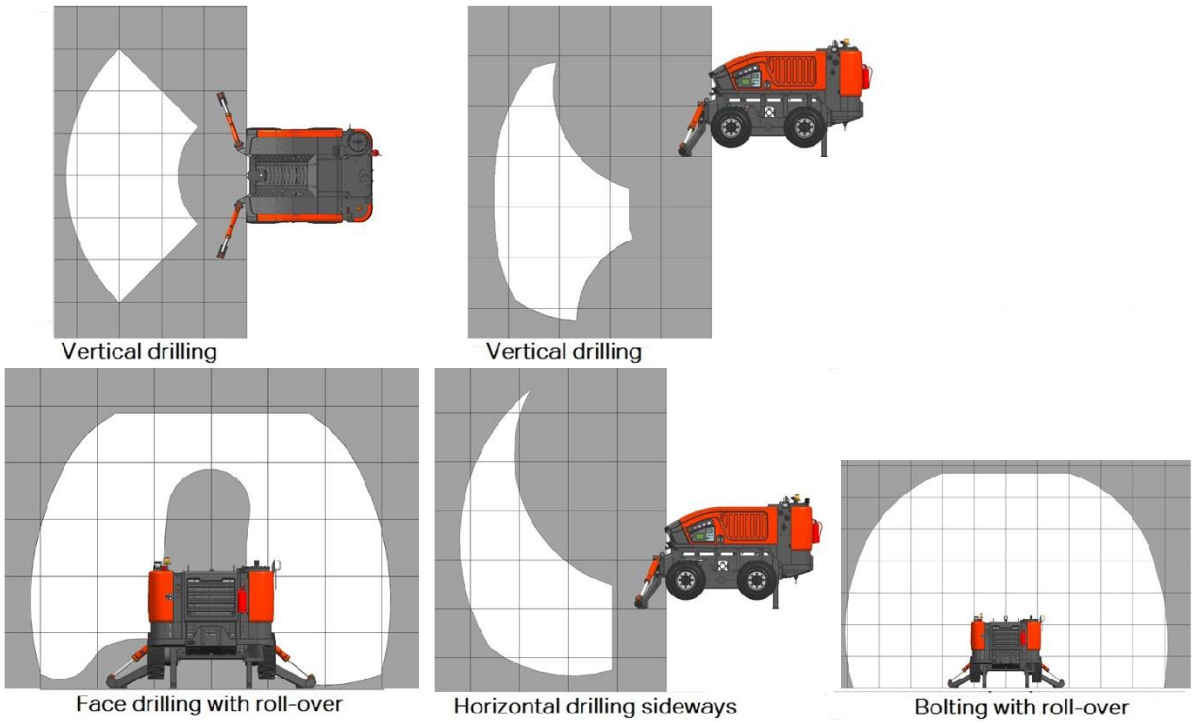
DRILL STEEL TYPE	DRILL STEEL DIAMETER	RECOMMENDED HOLE DIAMETER
MF-rods	R28 / 28 mm	37 – 43 mm
MF-rods	R32 / 32 mm	43 – 64 mm
MF-rods	T35 / 39 mm	54 – 64 mm

SELECTION OF OPTIONS

Spirit level angle indicator
TIMi for vertical holes and hole depth measuring
TIMi horizontal holes measurement (requires TIMi)
TIMi aligned holes with GPS and hole depth measurement
Auto alignment for DC TIMi
6' feed for DC300Ri (not available with rod handler)*
10' feed for DC300Ri (not available with rod handler)*
Rod handler for one rod
Rod thread greasing
Real time rock drill position
Torque control
Hydraulic roll-over
Pressure filter for percussion line
Biodegradable hydraulic oil
Central lubrication system Lincoln
Chain tracks
Electric fuel filling pump
Hydraulic winch
Remote screen interface (Tablet or mobile phone not included)
Manual hydraulic oil filling pump
Led lights 7 pcs*
Led side lights 2 pcs
Electric engine heater and float charger 230 V
Fuel powered heater for engine
Jump start plug
Dustmizer
Flap feeder for dust collector
Flushing control automatics
Shut down of suction for water holes
Raised dust collector
Water flushing kit without water pump
Water pump for water flushing kit
Grinder Sandvik RG400
Hydraulic connection for grinder
Steel wearing strips for chain feed
Shoulder harness for radio remote transmitter
*replaces standard component



Coverage area and dimensions



DIMENSIONS

Weight	6100 kg (dry weight)
Width	2.35 m
Height	a, 2.85 m
With safety cage	a, 2.85 m
Total length	5695 mm



Sandvik Mining and Rock Solutions reserves the right to make changes to the information on this data sheet without prior notification to users. Please contact a Sandvik representative for clarification on specifications and options.