



# SANDVIK LZ101LE EXTRA LOW-PROFILE DOZER

TECHNICAL SPECIFICATION

Sandvik LZ101LE is designed for Extra Low Profile (XLP) environment. Sandvik LZ101LE is remote controlled machine for multiple uses such as underground mining and construction.

The height extra-low profile and remote control make the machine suitable for multipurpose tasks and missions.

Sandvik LZ101LE is a fully electrical machine with the batteries for one autonomous and total free movement without contaminating air in confine areas.

All the service points are well-protected but easy to access.

## KEY FEATURES

Pushing capacity	4 000 kg
Standard blade	0.12 m <sup>3</sup>
Tramming speed	4 km/h
Gradeability / sideways tilt	Max. 15° (26%) / 15° (26%)
Control system	SICA
Batteries	85 kWh
Autonomy of batteries	5 h (dozing)
Turning width (radius)	2 650 mm
Width across blade	1 650 mm
Width without blade	1 600 mm
Overall height	965 mm
Total length	3 565 mm
Total weight	5 800 kg depending on options



1. SANDVIK LZ101LE - EXTRA LOW PROFILE DOZER

**DOZER BLADE SPECIFICATIONS**

Blade width	1 600 mm
Blade height	620 mm
Lift height	245 mm
Cut depth	250 mm
Lift time	1 s

**POWER TRAIN**

Standard engine	Electric motor, 3 pcs
Power output	60 kW
Torque output	60 Nm

**TRACK ASSEMBLY**

Gage	20 kW
Axle distance	1 745 mm
Overall length	2 316 mm
No. of rollers	6 pcs
Sprocket pitch diameter	431.2 mm
No. of shoes per side	34 pcs

**HYDRAULIC COMPONENTS**

Hydraulic power pack	20 kW
Hydraulic pump	16 cc
Main relief	210 bar
Hydraulic pump	Gear pump

**CONTROL SYSTEM**

Type of control system	SICA
Operating principle	Radio remote control

**ELECTRIC SYSTEM**

Battery voltage	371 V
Battery charging alternatives	440 / 525 V, 50 Hz, 22 kW 230 V, 50 Hz, 2kW
Batteries	Sodium, Nickel, Chloride
Control system voltage	12 V and 24 V
Driving and working lights	2 rear, 2 + 2 front, LED lights
Electric indicator / warning lights	
Tramming alarm	

**TOOLING SYSTEM**

Cylinders	2 pcs, 63 mm bore x 36 mm rod
Hydraulic pump	RPM controlled flow
Controls	CANbus remote operated

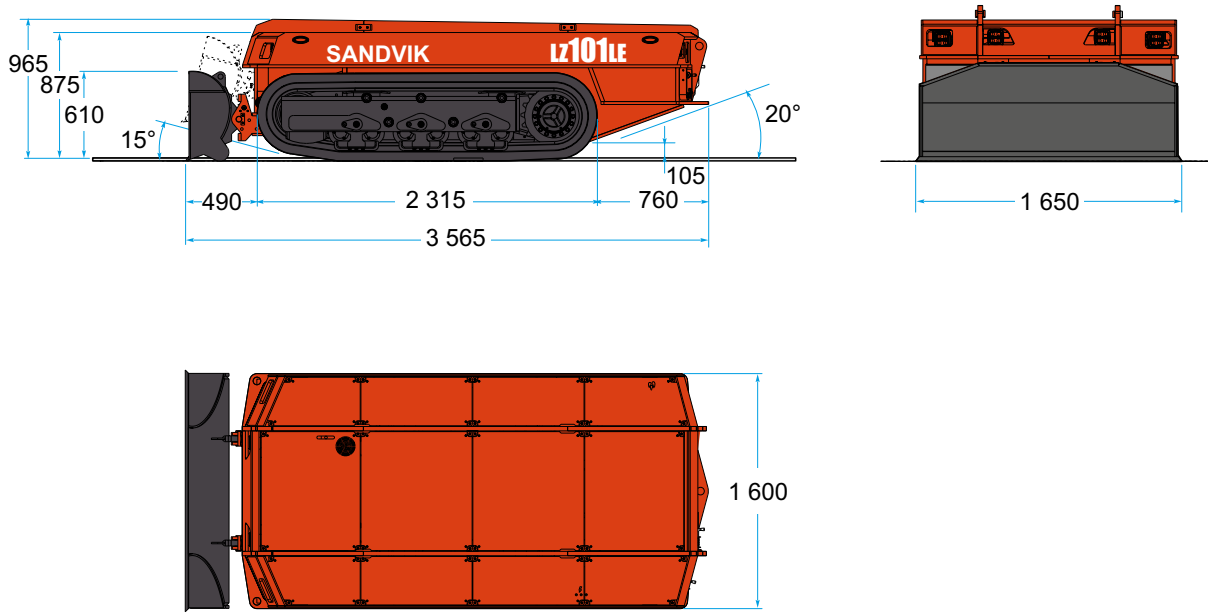
**FIRE SUPPRESSION SYSTEM**

Fire suppression system	Ansul, automatic
-------------------------	------------------

**OPTIONAL FEATURES**

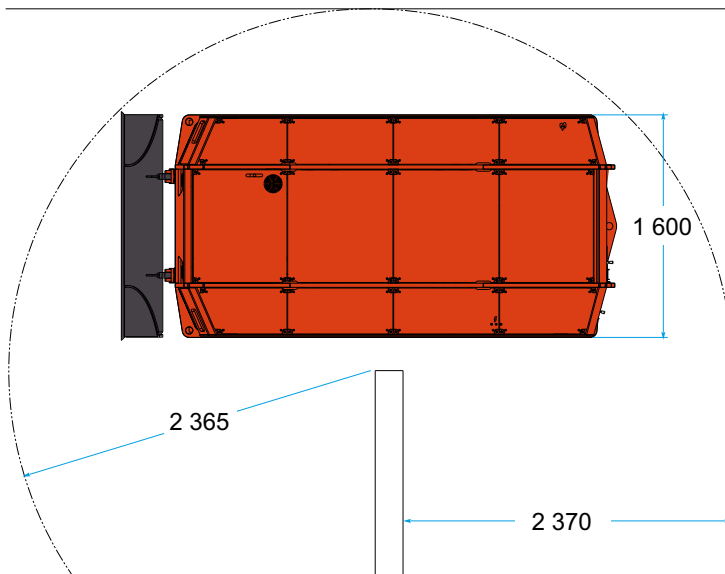
Bucket	
Sweeper	Adaptation support

## MAIN DIMENSIONS



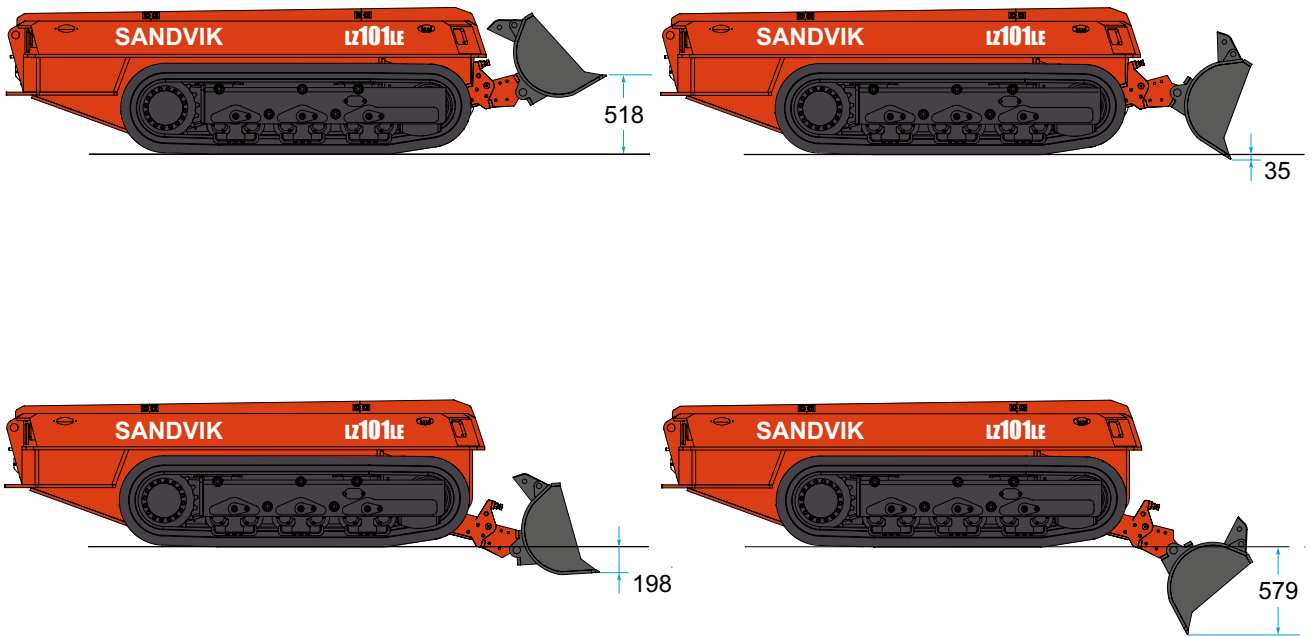
All dimensions in mm

## TURNING RADIUS

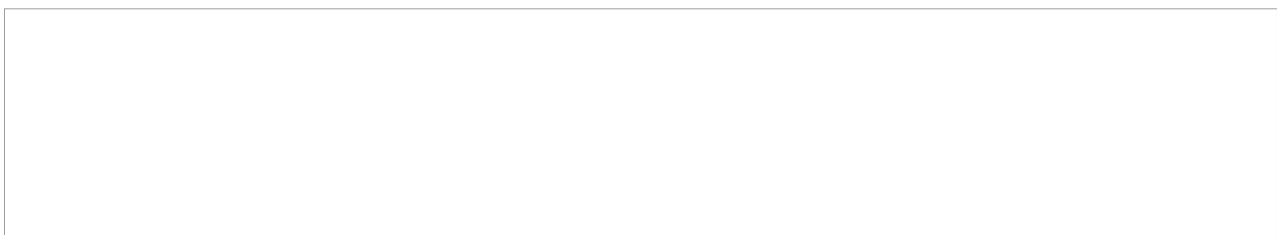


All dimensions in mm

BUCKET POSITIONS



All dimensions in mm



Sandvik Mining and Rock Technology reserves the right to make changes to the information on this data sheet without prior notification to users. Please contact a Sandvik representative for clarification on specifications and options.

ROCKTECHNOLOGY.SANDVIK

4. SANDVIK SANDVIK LZ101LE - EXTRA LOW PROFILE DOZER