



DS211L-V LOW-PROFILE BOLTER

TECHNICAL SPECIFICATION

Sandvik DS211L-V is a low-profile single boom electro-hydraulic drilling machine designed to work in excavations with headroom as low as 2.25 meters. It can drill and install short bolts (up to 2.2 meters) or drill long-holes (up to 10 meters) in any direction. Derived from Sandvik DD211L face drilling rig, this unit has much in common with the auto-parallel boom. This hybrid has a telescopic roof support stinger and an indexed double line feed (rock drill and bolt rotary wrench). The exceptional V-shape layout is designed for good visibility and balance. Coupled with a powerful four-wheel-drive articulated carrier, it ensures safe, fast and versatile manoeuvring, even in narrow spaces. This is a high performance drilling system that offers effective drill steel economy and high machine availability. Safe, fast, and accurate drilling can be achieved as a result of improved operator's controls and working environment. All service points are also well protected and easy to access.

KEY FEATURES

Coverage area	7 960 x 4 700 mm
Hydraulic rock drill	RD314, 14 kW
Bolting feed	CFB
Boom	B26XL LPB
Hole length	Up to 6 500 mm
Minimum drift size (H x W)	2 500 mm x 2 500 mm
T-section width in turning	4 045 mm
Transport width	2 260 mm
Transport height	1 380 mm / 1 950 mm
Transport length	11 220 mm
Total weight	13 600 kg depending on options



1. SANDVIK DS211L-V - LOW PROFILE BOLTER

HYDRAULIC ROCK DRILL

Type of rock drill	RD314 (TS2-137)
Percussion power	14 kW
Percussion pressure	Max. 160 bar
Percussion rate	110 Hz
Rotation speed	Max. 530 rpm (with OMS100)
Rotation torque	340 Nm (with OMS100)
Hole size (drifting)	38 - 51 mm
Recommended rod	R32 - H25 - R32 R32 - H25 - R25
Shank adapter	R32 (female)
Weight	115 kg
Length	571 mm
Profile height	192 mm
Inflating device for accumulator	Spec. sheet 2-9110

BOLTING FEED

Type of bolting feed	CFB feed (TS2-161)
Feed force	Max. 31 kN
Total length	1 960 mm
Hole length	Up to 6 500 mm
Rod length	1 220 mm (1st rod) 800 mm (Additional rods)
T-stinger	1.8 - 2.8 m (Medium)
Net weight	310 kg

BOOM

Type of boom	B26XL-LPB (TS2-185)
Parallelism	Automatic hydraulic
Boom extension	1 700 mm
Feed extension	500 mm
Bolting head roll-over	240°
Bolting head positioning, left and right	80°, 110°
Boom weight, net	2 000 kg

HYDRAULIC SYSTEM

Powerpack	HPP355 (55 kW)
Filtration (pressure / return)	20 µ / 10 µ
Oil tank volume	160 liters (drilling)
Filling pump for hydraulic oil	Manual
Oil cooler (water actuated)	1 x OW30 (30 kW)
Hydraulic low level indicator	Stops the drilling when the oil level in drilling tank is low
Safety shut down	Low water pressure, low air pressure, low oil level
Oil drilling safety temperature	Above 75°C
Tool set for hydraulic adjustment	Specification 2-9100

DRILLING CONTROL SYSTEM

Type of control system	THC561 (TS2-1020)
Operating principle	Hydraulic control
Manual boom control	Direct control Fully proportional Hydraulic parallelism
Drilling control	Adjustable collaring power Feed / percussion control Anti-jamming system
Drilling and boom movement inhibition	2 x switches and 1 x door interlock

ELECTRIC SYSTEM

Standard voltage	380 - 575 V (± 10%), 50 Hz
Total input power	70 kW
Main switch gear	MSE-1JH
IP classification	Specification TS2-132
Starting method	Star delta starter 380 - 575 V
Automatic cable reel	TCR LPII with spooling system
Cable reel control (in / out)	Operator station and rear of unit
Cable reel end switch	Automatic brake application before end of cable
Proximity detection readiness	1 x power cable available in the operator compartment
Battery switch	1 x double pole lockable switch
Front working lights (combined working and driving)	2 x 35 W HID and 2 x 70 W (24 V)
Front driving lights	2 x 70 W (24 V)
Rear driving lights	2 x 70 W (24 V)
Amber flashing light	LED (24 V)
Operator station light	Standard
Sealed AGM batteries	2 x 12 V, 95 Ah

AIR AND WATER SYSTEM

Flushing of holes	By water
Water booster pump	WBP1 (4 kW)
Water pump capacity	33 l/min at 15 bar (input pressure = 4 bar)
Water pump inlet pressure	2 bar (Min.)
Flushing water pressure	10 - 15 bar
Shank lubrication device	SLU-1 (air / oil mist)
Air compressor	CTN16 (1.6m ³ /min at 7 bar)
Rock drill oil consumption	100 - 200 g/h
Rock drill air consumption	150 - 250 l/min
Manual air flushing	1 x 60 liters air receiver

OPERATOR'S SAFETY CANOPY

Canopy certification	FOPS / ROPS (ISO 3449)
Unit height in tramming	High position : 1 950 mm Low position : 1 775 mm
Operation	Seated operations
Operator's seat	Ergonomic T-back seat
Sound pressure level EN 791	Operator station: 98 dB(A)
Fault finding device	QN panel

CARRIER

Type of carrier	TCLP II (frame steered)
Carrier articulation	± 43°
Rear axle oscillation	± 15°
Ground clearance	300 mm
Diesel engine	Deutz BF4M2012 (74 kW, Tier 2)
Diesel engine control	Electronic, EMR
Exhaust catalyzer	Standard
Transmission	Hydrostatic, automotive
Wheel motor	4 x radial piston
Tires	315/85 x 15
Service brakes	Hydrostatic and positive braking
Parking and emergency brakes	SAHR fail safe type wet disc brakes
Neutral braking	Brakes applied when neutral position activated
Tramming speed	12 km/h (Horizontal) 5 km/h (14%=1:7=8°)
Gradeability / sideways tilt	Max. 15° / 15°
Fuel tank	60 liters
Tramming oil tank	50 liters
Carrier stabilization	Vertical (front and rear)
Brake release	Manual pump
Tramming alarm	Standard
Wheel chocks and holder	2 pieces
My fleet (FDM)	Basic
Document box	A3 format
Access point	Yellow reflective (stair and handle)
Colour scheme	Sandvik
Documentation	2 x Operator's manual 2 x Maintenance manual 2 x Technical manual (in English only) 2 x Parts manual (in English only) PDF manuals

OPTIONAL FEATURES AND PACKAGES

Bolting Feed

*Type of feed	CFB-XS instead of CFB
T-Stinger	Short, 1.5 to 2.2 meters instead with CFB-XS feed
Safety canopy	On the boom

Hydraulic system

*Filling pump for hydraulic oil	Electric
Additional tramming HP filter	10 micron

Electric system

Electric cabinet	Protection door
*Starting method	Soft starter 380 - 575 V only
Electric cables	Specification TS2-121
Ground fault and overcurrent protection	VYK
Indicator light for jacks up	Sensors in the jacks
Electric power interlock	Powerpack starts only when jacks are on ground
Dewatering pump outlet readiness	Site voltage 380 - 575 V (Max. 11 kW)
*Extra lighting halogen	4 x 70 W at canopy + search light
*LED lights package	8 x 43 W LED, excl. additional lights
*Extra lighting LED	4 x 43 W LED at the canopy + search light

OPTIONAL FEATURES AND PACKAGES

Air and water system

*Shank lubrication device	KVL10-1 (air/oil mist) with low level indicator
Air mist flushing	External water / internal air, CTN16 + 2 x 60 liters air receivers
Air mine connection	With IP5 air cleaner
End of hole air flushing	2 x 60 liters air receivers
Pressurized air outlet	Hose and reel for accessories
Water hose with hooks	32 mm (1 1/4"), 80 meters 38 mm (1 1/2"), 60 meters

Operator's safety canopy

Screen protection	Specification TS2-062
-------------------	-----------------------

Cleaning system

HP system without reel	Up to 180 bar
HP system with reel	Up to 180 bar

Greasing systems

Centralized greasing points	Carrier
Manual system	Greasing gun and cartridge with hose reel

Fire suppression system

Spare hand held fire extinguisher	1 or 2 x 6 kg Type ABC 2 x 9 kg Type ABC 1 x 11 kg Type ABC
Manual or automatic system	Ansul, 6 nozzles

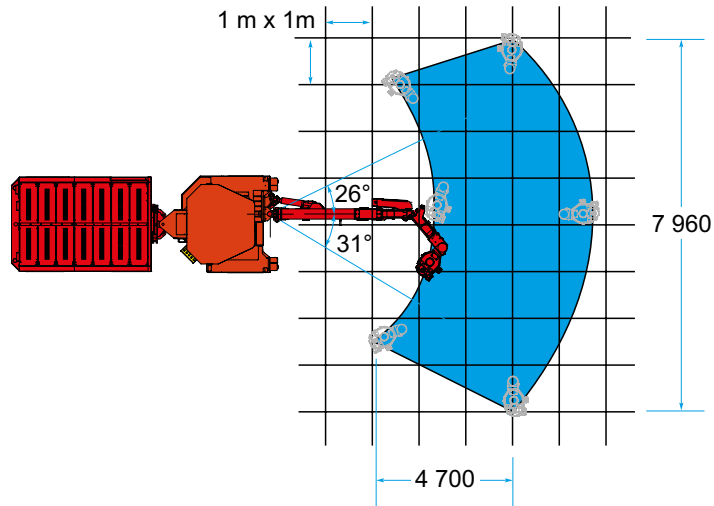
Carrier

*Foam filled tires	4 pcs
ABA brakes	Auto brake application on default
*Lockable filler cap	Fuel and oil tanks
My fleet (FDM)	Advanced
Proximity interface	Specification TS2-381

Extra items

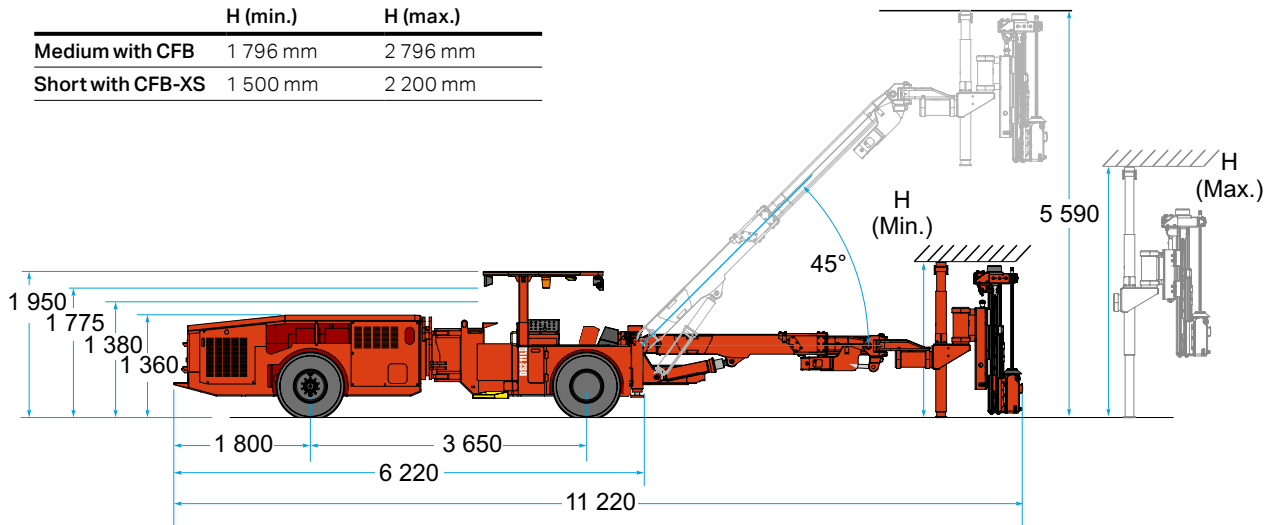
Gate end box	
Berg plug / Berg base	
Spare rock drill	RD314
Spare wheel assembly	315/85 x 15 or foam filled tire
Special tools for rock drill	
Documentation	Extra paper, PDF manuals
Warranty extension	One year (excl. Kazakhstan)
Package: Country specific options	SAS (Specification TS2-155)
Package: Extra safety	Specification TS2-275
Package: *Harsh water	Basic or advanced (TS2-049)

*) replaces standard feature

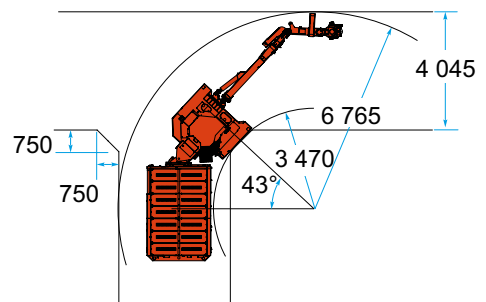
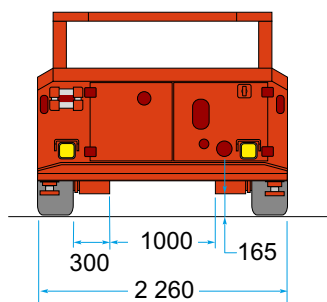


All dimensions in mm
At 2.00 meters height

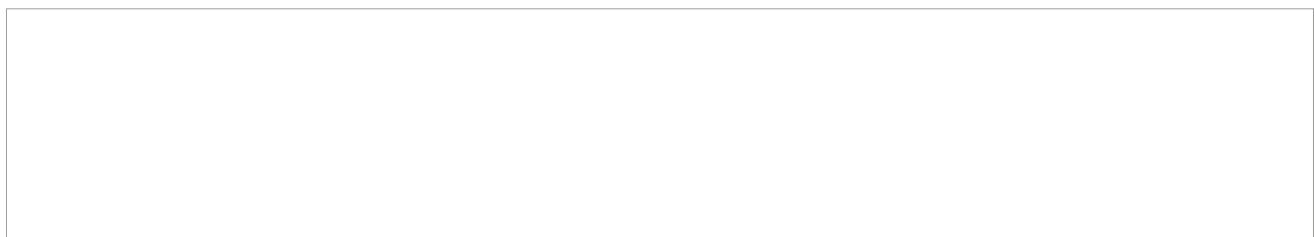
	H (min.)	H (max.)
Medium with CFB	1 796 mm	2 796 mm
Short with CFB-XS	1 500 mm	2 200 mm



All dimensions in mm



All dimensions in mm



Sandvik Mining and Rock Technology reserves the right to make changes to the information on this data sheet without prior notification to users. Please contact a Sandvik representative for clarification on specifications and options.

SANDVIK.COM

4. SANDVIK DS211L-V - LOW PROFILE BOLTER