



DL230L LOW-PROFILE LONGHOLE DRILL

TECHNICAL SPECIFICATION

Sandvik DL230L is a low-profile single-boom electro-hydraulic production drilling jumbo designed to work in excavations with headroom as low as 1.7 meters. Sandvik DL230L is capable of drilling several lines of parallel holes, up, down and horizontally, as deep as 23 meters.

The 360 degree rotation in full parallel coverage area plus wide angle ranges forward and backwards make the robust universal telescopic boom suitable for various drilling applications. The long reach of the boom also enables safe access to potentially unsafe or narrow places such as vein, reef or raise drilling.

The exceptional 'V' shape layout is designed for good visibility and balance. This and the powerful four-wheel-drive articulated carrier ensure fast and safe manoeuvring even in low headroom conditions.

The operator environment and added automatic functions allow the operator to concentrate on safe, fast and accurate drilling. All the service points are well protected but easy to access.

KEY FEATURES

Hydraulic rock drill	1 x HLX5, 20 kW
Drilling module	1 x LHF2006
Boom	1 x B26LC
Hole length	Up to 23 meters
Minimum drift size (H x W)	3 000 mm x 3 000 mm
Turning width (T-section)	4 370 mm
Transport width	2 250 mm
Transport height	1 380 mm / 1 950 mm
Transport length	10 970 mm
Total weight	14 000 kg depending on options

ROCK TOOLS AND HOLE LENGTH

Type	Rod Ø (mm)	Hole Ø (mm)	Maximum hole length (m)*		
			4' rods	5' rods	6' rods
R32	32	51	15.5	19.5	23.5
T35	39	54	14.3	18	21.7
T38	39	64	14.3	18	21.7
T45	46	76	13.1	16.4	19.8

*) Feed in contact with rock and front stinger retracted



1. SANDVIK DL230L - LOW PROFILE LONGHOLE DRILL

HYDRAULIC ROCK DRILL

Type of rock drill	HLX5 (TS-232)
Percussion power	20 kW
Percussion pressure	Max. 220 bar
Percussion rate	67 Hz
Rotation speed	Max. 250 rpm (with OMS125)
Rotation torque	625 Nm (with OMS125)
Weight	210 kg
Length with shank adapter	1 100 mm
Profile height	90 mm
Inflating device for accumulator	Specification 2-9110

DRILLING MODULE

Type of feed	LHF2000 (TS2-175)
Rod length	1 220 - 1 830 mm (4' - 6')
Feed force	20 kN
Feed and return speed	Up to 5 and 10 m / min
Stinger extension	600 mm (front stinger) 1 200 mm (rear stinger)
Type of rod handling system	ERHC12 (TS2-168)
Storing capacity (R32 / T38 / T45)	13 / 12 / 11 rods
Retaining centralizer	FCC3

DRILLING MODULE DIMENSIONS

Feed	Rod length	Total length
LHF2004	1 220 mm	2 850 mm
LHF2005	1 525 mm	3 155 mm
LHF2006	1 830 mm	3 460 mm

BOOM

Type of boom	B26LC (TS2-158)
Parallelism	Automatic hydraulic
Boom extension	800 mm
Feed extension	1 200 mm
Boom weight, net	1 850 kg
Roll-over angle	360°

HYDRAULIC SYSTEM

Powerpack	HPP555 (55 kW)
Filtration (pressure / return)	20 μ / 10 μ
Oil tank volume	160 liters (drilling)
Filling pump for hydraulic oil	Manual
Oil cooler (water actuated)	1 x OW30 (30 kW)
Hydraulic low level indicator	Stop drilling when the oil level in drilling tank is low
Oil drilling safety temperature	Above 75°C
Tool set for hydraulic adjustment	Specification 2-9100

DRILLING CONTROL SYSTEM

Type of control system	THC560, LH
Operating principle	Hydraulic control
Manual boom control	Direct control Fully proportional Hydraulic parallelism
Power control	Adjustable full power Adjustable collaring power
Rotation control	Adjustable rotation speed Reversible rotation
Drilling and boom movement inhibition	2 x switches and 1 x door interlock

ELECTRIC SYSTEM

Standard voltage	500 - 575 V (± 10%), 50 Hz
Total installed power	75 kW
Main switch gear	MSE-1JH
IP classification	Specification TS2-132
Starting method	Star delta starter 500 - 575 V
Automatic cable reel	TCR LP with spooling system
Cable reel control	Operator station and rear of unit
Cable reel end switch	Automatic brake application before end of cable
Front working lights (combined working and driving)	2 x 35 W HID and 4 x 70 W (24 V)
Rear driving lights	2 x 70 W (24 V)
Amber flashing light	Beacon (24V)
Operator station light	1 x 21 W (24V)
Batteries	2 x 12 V, 120 Ah

AIR AND WATER SYSTEM

Flushing of holes	By water
Water booster pump	WBP2
Water pump capacity	100 l/min
Water pump inlet pressure	2 bar (min.)
Flushing water pressure	10 - 15 bar
Shank lubrication device	Air / oil mist, KVL10-1
Air compressor	CTN16 (1.6 m ³ /min at 7 bar)
Rock drill oil consumption	180 - 250 g/h
Rock drill air consumption	250 - 350 l/min
Flushing on rock drill return	2 x 60 liters air receiver

OPERATOR'S SAFETY CANOPY

Canopy certification	FOPS / ROPS (ISO 3449 / 3471)
Unit height in tramming	High position : 1 950 mm Low position : 1 775 mm
Operation	Seated operations
Operator's seat	Ergonomic T-back seat
Sound pressure level EN 791	Operator station: 98 dB(A) Emitted: 124 dB(A)

CARRIER

Type of carrier	TCLP (frame steered)
Carrier articulation	± 42°
Rear axle oscillation	± 15°
Ground clearance	300 mm
Diesel engine	Deutz BF4M2012 (74 kW, Tier 2)
Diesel engine control	Electronic, EMR
Exhaust catalyzer	Standard
Transmission	Hydrostatic, automotive
Wheel motor	4 x radial piston
Tires	315/85 x 15
Service brakes	Hydrostatic
Parking and emergency brakes	SAHR fail safe type wet disc brakes
Neutral braking	Brakes applied when neutral position activated
Tramming speed	12 km/h (Horizontal) 5 km/h (14%=1:7=8°)
Gradeability / sideways tilt	Max. 15° / 15°
Fuel tank	60 liters
Tramming oil tank	50 liters
Carrier stabilization	Vertical (front and rear)
Brake release	Manual pump
Tramming alarm	Standard
Wheel chocks and holder	2 pcs
Documents box	A3 format
Access point	Yellow reflective (stair and handle)
Colour scheme	Sandvik
Documentation	2 x Operator's manual 2 x Maintenance manual 2 x Technical manual (in English only) 2 x Parts manual (in English only) PDF manuals

OPTIONAL FEATURES AND PACKAGES**Rock drill**

*Power extractor	For HLX5 rock drill
------------------	---------------------

Feed

*LHF feed length	LHF2004, LHF2005
Rear stinger extension	Add 1 meter on the rear stinger
Protector for LHF	Rubber front protection

Instrumentation

Laser positioning	2 x laser type and gravitational angle measurement
-------------------	--

Hydraulic system

*Oil tank filling pump	Electric
Additional tramming HP filter	10 micron

Electric system

Optional voltage	1 000 V, 50 Hz
Electric cables	Specification TS2-121
Ground fault and overcurrent protection	VYK
Electric power interlock	Powerpack starts only when jacks are on ground

Air and water system

*Shank lubrication device	KVL10-1 (air/oil mist) with low level indicator
Air mine connection	IP5 air cleaner
Air / water hooks	2 hooks
Water hose with hooks	32 mm (1 ¼"), 80 meters 38 mm (1 ½"), 60 meters

Operator's safety canopy

Screen protection	Specification TS2-062
-------------------	-----------------------

Cleaning system

HP system without reel	Up to 180 bar
------------------------	---------------

Greasing systems

Centralized greasing points	Carrier
-----------------------------	---------

Fire suppression system

Spare hand held fire extinguisher	Desautel, 2 x 6 kg Type ABC
Manual system	Desautel, 2 x 9 kg Type ABC Ansul, 6 nozzles

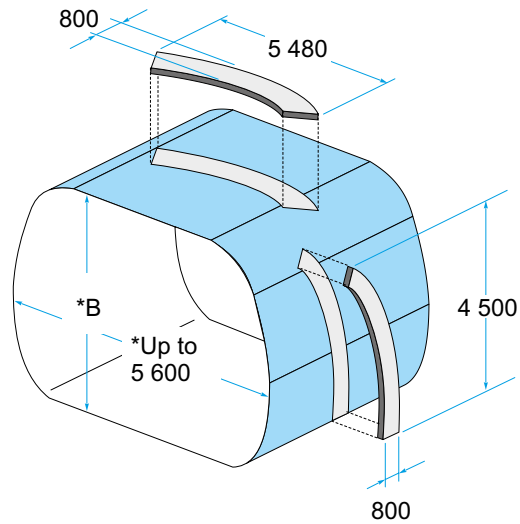
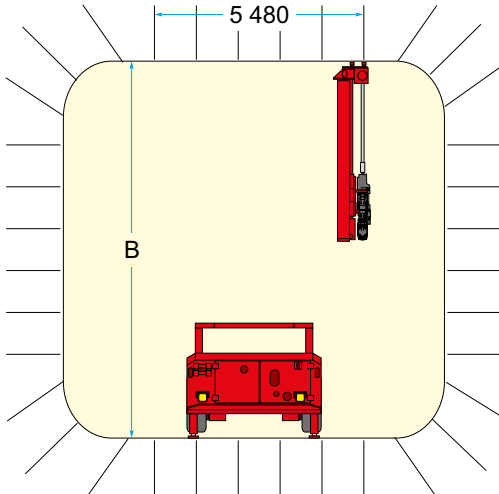
Carrier

*Foam filled tires	4 pcs
ABA brakes	Auto brake application on default

Extra items

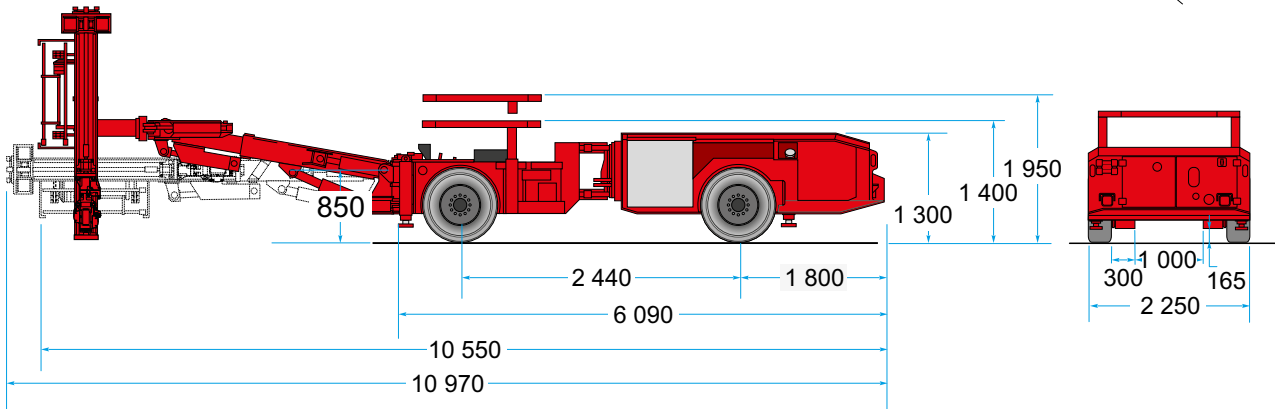
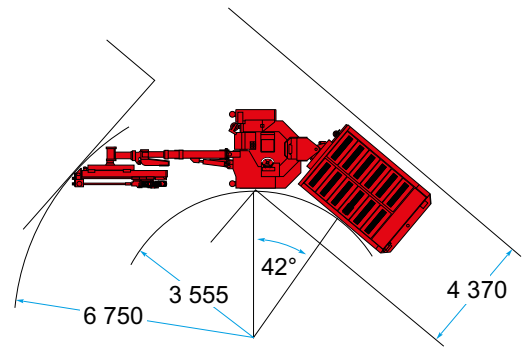
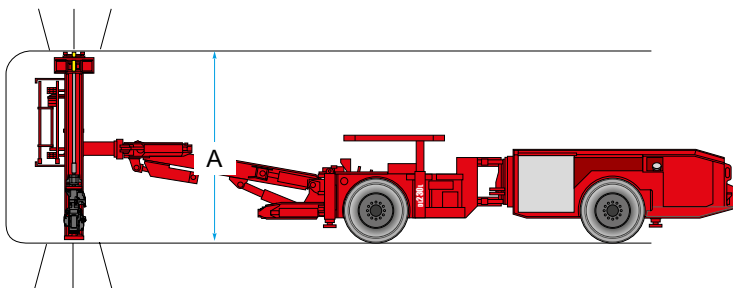
Gate end box	
Berg plug / Berg base	
Spare rock drill	HLX5
Spare wheel assembly	315/85 x 15 or foam filled tire
Special tools for rock drill	
Documentation	Extra paper, PDF manuals
Warranty extension	One year (excl. Kazakhstan)
Package: Country specific options	SAS for 200L-series (5-9905)
Package: *Harsh water	Basic (TS2-049)

*) replaces standard feature

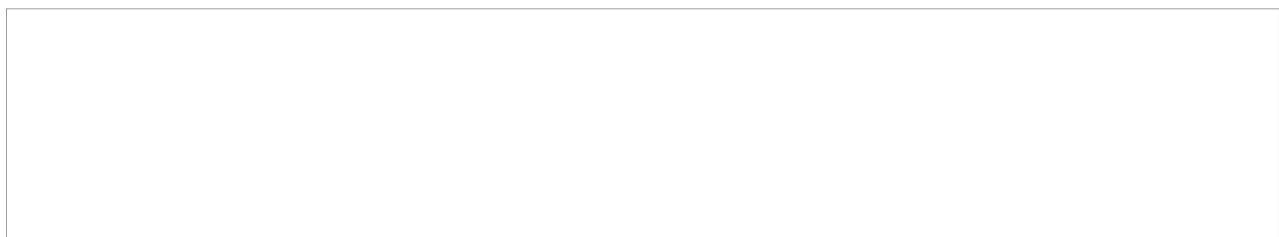


* Maximum with rear stinger 1 200 mm and rear stinger extension option
All dimensions in mm

	A	B
DL230L (LHF2004)	3 000	4 000
DL230L (LHF2005)	3 300	4 300
DL230L (LHF2006)	3 600	4 600



All dimensions in mm



Sandvik Mining and Rock Technology reserves the right to make changes to the information on this data sheet without prior notification to users. Please contact a Sandvik representative for clarification on specifications and options.