



# DD211L-V LOW-PROFILE DRILL

## TECHNICAL SPECIFICATION

Sandvik DD211L-V is a single-boom low-profile drill designed to work in excavations with headroom as low as two meters.

The carrier, coupled with the unique multi-purpose boom and telescopic feed, gives Sandvik DD211L-V an extreme in versatility not seen before in a single-boom low-profile jumbo.

This jumbo is capable of drilling both support and face advance, optimizing the mining cycle. It allows high drilling performance with good drill steel economy and high machine reliability.

The exceptional 'V' shape layout is designed for good visibility and balance. Coupled with the powerful four-wheel-drive articulated carrier, it ensures safe, fast and versatile manoeuvring even in tight conditions.

The improved operator environment and controls allow the operator to concentrate on safe, fast and accurate drilling.

All the service points are well protected but easy to access.

## KEY FEATURES

Coverage area	16.3 m <sup>2</sup> (auto-parallel)
Hydraulic rock drill	1 x RD314, 14 kW
Drilling feed	1 x CFX-XS
Boom	1 x B16NV
Hole length	Up to 2 132 mm
Drift size class (H x W)	2 000 mm x 3 040 mm
T-section width in turning	3 110 mm
Transport width	2 260 mm
Transport height	1 775 mm / 1 950 mm
Transport length	10 375 mm
Total weight	13 600 kg depending on options



1. SANDVIK DD211L-V - LOW PROFILE DRILL

## HYDRAULIC ROCK DRILL

Type of rock drill	RD314 (TS2-137)
Percussion power	14 kW
Percussion pressure	Max. 160 bar
Percussion rate	110 Hz
Rotation speed	Max. 530 rpm (with OMS100)
Rotation torque	340 Nm (with OMS100)
Hole size	38 - 51 mm
Recommended rod	R32 - H25 - R32 R32 - H25 - R25
Shank adapter	R32 (female)
Weight	115 kg
Length	571 mm
Profile height	192 mm
Inflating device for accumulator	Specification 2-9110

## DRILLING FEED

Type of feed	CFX-XS feed (TS2-159)
Feed force	Max. 31 kN
Total length	1 965 mm
Hole length	2 132 mm
Rod length	2 435 / 1 830 mm
Net weight	416 kg

## BOOM

Type of boom	B16NV (TS2-173)
Parallel coverage	16.3 m <sup>2</sup>
Parallelism	Automatic hydraulic
Boom extension	800 mm
Feed extension	500 mm
Boom weight, net	1 800 kg
Roll-over angle	360°

## HYDRAULIC SYSTEM

Powerpack	HPP355 (55 kW)
Filtration (pressure / return)	20 μ / 10 μ
Oil tank volume	160 liters (drilling)
Filling pump for hydraulic oil	Manual
Oil cooler (water actuated)	1 x OW30 (30 kW)
Hydraulic low level indicator	Stop drilling when the oil level in drilling tank is low
Safety shut down	Low water pressure, low air pressure, low oil level
Oil drilling safety temperature	Above 75°C
Tool set for hydraulic adjustment	Specification 2-9100

## DRILLING CONTROL SYSTEM

Type of control system	THC561 (5-1020)
Operating principle	Hydraulic control
Manual boom control	Direct control Fully proportional Hydraulic parallelism
Drilling control	Adjustable collaring power Feed / percussion control Anti-jamming system
Automatic cycle	Stop and return automatics
Drilling reaming selector	Two rotation speeds can be preset
Drilling and boom movement inhibition	2 x switches and 1 x door interlock

## ELECTRIC SYSTEM

Standard voltage	380 - 575 V (± 10%), 50 Hz
Total input power	70 kW
Main switch gear	MSE-1JH
IP classification	Specification TS2-132
Starting method	Star delta starter 380 - 575 V
Automatic cable reel	TCR LPII with spooling system
Cable reel control	Operator station and rear of unit
Cable reel end switch	Automatic brake application before end of cable
Proximity detection ready	1 x power cable available in the operator compartment
Battery switch	1 x double pole lockable switch
Front working lights (combined working and driving)	2 x 35 W HID and 4 x 70 W (24 V)
Rear driving lights	2 x 70 W (24 V)
Amber flashing light	LED (24 V)
Operator station light	Standard
Sealed AGM batteries	2 x 12 V, 95 Ah

## AIR AND WATER SYSTEM

Flushing of holes	By water
Water booster pump	WBP1 (4 kW)
Water pump capacity	33 l/min at 15 bar (input pressure = 4 bar)
Water pump inlet pressure	2 bar (min.)
Flushing water pressure	10 - 15 bar
Shank lubrication device	SLU-1 (air / oil mist)
Air compressor	CTN16 (1.6m <sup>3</sup> /min at 7 bar)
Rock drill oil consumption	100 - 200 g/h
Rock drill air consumption	150 - 250 l/min
Manual air flushing	1 x 60 liters air receiver

## OPERATOR'S SAFETY CANOPY

Canopy certification	FOPS / ROPS (ISO 3449)
Unit height in tramming	High position : 1 950 mm Low position : 1 775 mm
Operation	Seated operations
Operator's seat	Ergonomic T-back seat
Sound pressure level EN 791	Operator station: 98 dB(A)
Fault finding device	QN panel

**CARRIER**

Type of carrier	TCLP II (frame steered)
Carrier articulation	± 43°
Rear axle oscillation	± 15°
Ground clearance	300 mm
Diesel engine	Deutz BF4M2012 (74 kW, Tier 2)
Diesel engine control	Electronic, EMR
Exhaust catalyzer	Standard
Transmission	Hydrostatic, automotive
Wheel motor	4 x radial piston
Tires	315/85 x 15
Service brakes	Hydrostatic and positive braking
Parking and emergency brakes	SAHR fail safe type wet disc brakes
Neutral braking	Brakes applied when neutral position activated
Tramming speed	12 km/h (Horizontal) 5 km/h (14%=1:7=8°)
Gradeability / sideways tilt	Max. 15° / 15°
Fuel tank	60 liters
Tramming oil tank	50 liters
Carrier stabilization	Vertical (front and rear)
Brake release	Manual pump
Wheel chocks and holder	2 pieces
My fleet (FDM)	Basic
Document box	A3 format
Access point	Yellow reflective (stair and handle)
Colour scheme	Sandvik
Documentation	2 x Operator's manual 2 x Maintenance manual 2 x Technical manual (in English only) 2 x Parts manual (in English only) PDF manuals

**OPTIONAL FEATURES AND PACKAGES****Hydraulic system**

*Filling pump for hydraulic oil	Electric
Additional tramming HP filter	10 micron

**Electric system**

Electric cabinet	Protection door
*Starting method	Soft starter 380 - 575 V only
Electric cables	Specification TS2-121
Ground fault and overcurrent protection	VYK
Indicator light for jacks up	Sensors in the jacks
Electric power interlock	Powerpack starts only when jacks are on ground
Dewatering pump outlet readiness	Site voltage 380 - 575 V (Max. 11 kW)
*Extra lighting halogen	4 x 70 W at canopy + search light
*LED lights package	8 x 43 W LED, excl. additional lights
*Extra lighting LED	4 x 43 W LED at the canopy + search light

**OPTIONAL FEATURES AND PACKAGES****Air and water system**

*Shank lubrication device	KVL10-1 (air/oil mist) with low level indicator
Air mist flushing	External water / internal air, CTN16 + 2 x 60 liters air receivers
Air mine connection	With IP5 air cleaner
End of hole air flushing	2 x 60 liters air receivers
Pressurized air outlet	Hose and reel for accessories
Water hose with hooks	32 mm (1 1/4"), 80 meters 38 mm (1 1/2"), 60 meters

**Operator's safety canopy**

Screen protection	Specification TS2-062
-------------------	-----------------------

**Cleaning system**

HP system without reel	Up to 180 bar
HP system with reel	Up to 180 bar

**Greasing systems**

Centralized greasing points	Carrier
Manual system	Greasing gun and cartridge with hose reel

**Fire suppression system**

Spare hand held fire extinguisher	1 or 2 x 6 kg Type ABC 2 x 9 kg Type ABC 1 x 11 kg Type ABC
Manual or automatic system	Ansul, 6 nozzles

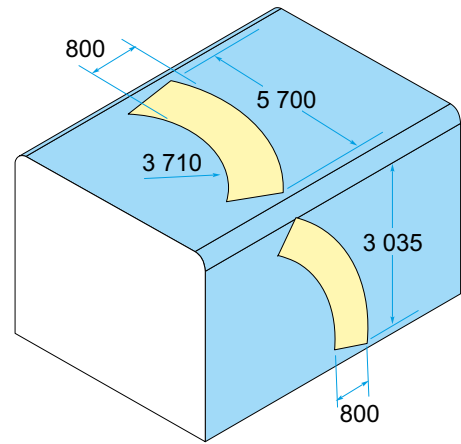
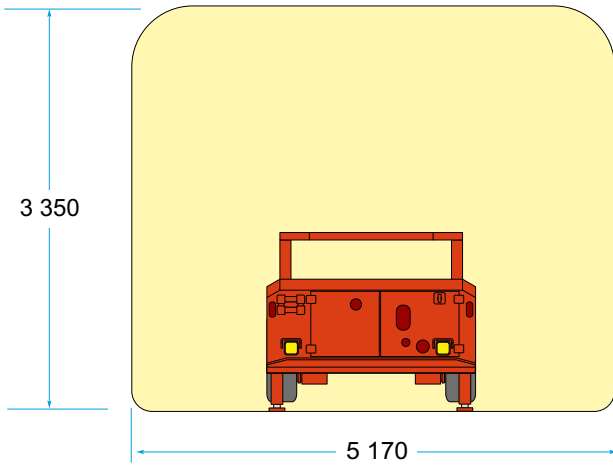
**Carrier**

*Foam filled tires	4 pcs
ABA brakes	Auto brake application on default
*Lockable filler cap	Fuel and oil tanks
My fleet (FDM)	Advanced
Proximity interface	Specification TS2-381

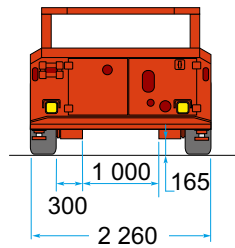
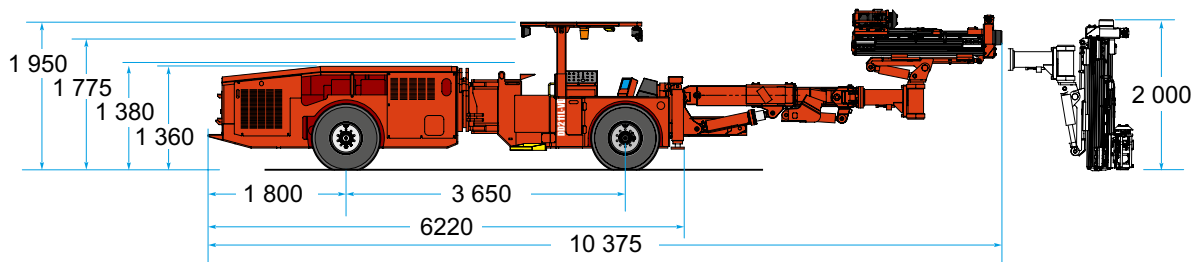
**Extra items**

Gate end box	
Berg plug / Berg base	
Spare rock drill	RD314
Spare wheel assembly	315/85 x 15 or foam filled tire
Special tools for rock drill	
Documentation	Extra paper, PDF manuals
Warranty extension	One year (excl. Kazakhstan)
Package: Country specific options	SAS (Specification TS2-155)
Package: Extra safety	Specification TS2-275
Package: *Harsh water	Basic or advanced (TS2-049)

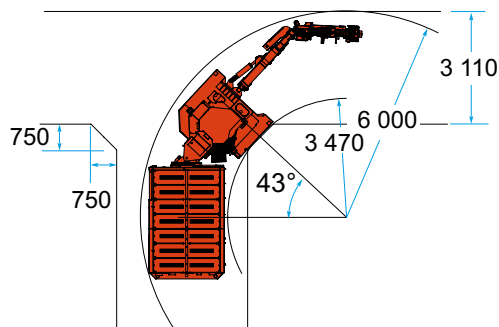
\*) replaces standard feature



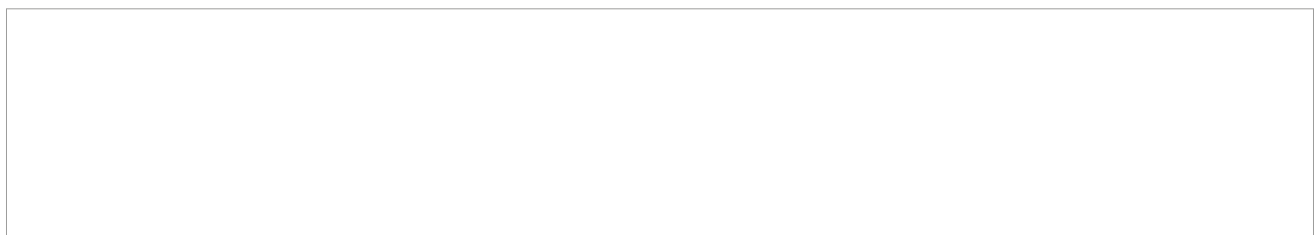
All dimensions in mm



All dimensions in mm



All dimensions in mm



Sandvik Mining and Rock Technology reserves the right to make changes to the information on this data sheet without prior notification to users. Please contact a Sandvik representative for clarification on specifications and options.

SANDVIK.COM

4. SANDVIK DD211L-V - LOW PROFILE DRILL