

DA101 DRILL PIPE HANDLER

TECHNICAL SPECIFICATION

The Sandvik DA101 is designed to carry and handle a wide range of drill pipe sizes. The DA101 has a flexible, telescopic manipulator arm which enables the operator to add and remove pipe by remote control. The hydraulic manipulator arm is powered through an umbilical hose tethered to the drill.

The compact skid mounted carrier has a removable pipe cassette which can be exchanged to accommodate longer holes or different pipe diameters.

The DA101 improves both safety and productivity by reducing operator fatigue.

TECHNICAL DATA

Cassette capacity	105 pcs, 79 mm (3.1") drill pipe
	85 pcs, 89 mm (3.5") drill pipe
	53 pcs, 114 mm (4.5") drill pipe
	39 pcs, 127 mm (5.0") drill pipe
	33 pcs, 150 mm (5.9") drill pipe
Drill pipe length	1.2 - 1.8 m (4-6 ft)
Weight of cassette empty	523 kg (1 150 lbs)
Weight without cassette	2 268 kg (5 000 lbs)
Total weight of DA101 with cassette and fully loaded with drill pipe	5 171 kg (11 400 lbs)



POSITIONING

Telescopic pipe manipulator, reach	3.9 m (154")
Pipe manipulator mounted on extendable boom, extension	1.5 m (60")
Rotary actuators	1 x 360° 2 x 180°

CONTROLS

24 V electric / hydraulic controls
Tripod mounted with 15 m (50 ft) cable

HYDRAULICS

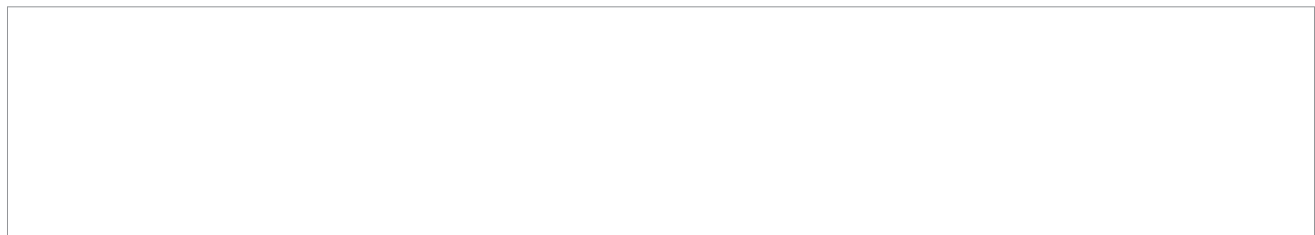
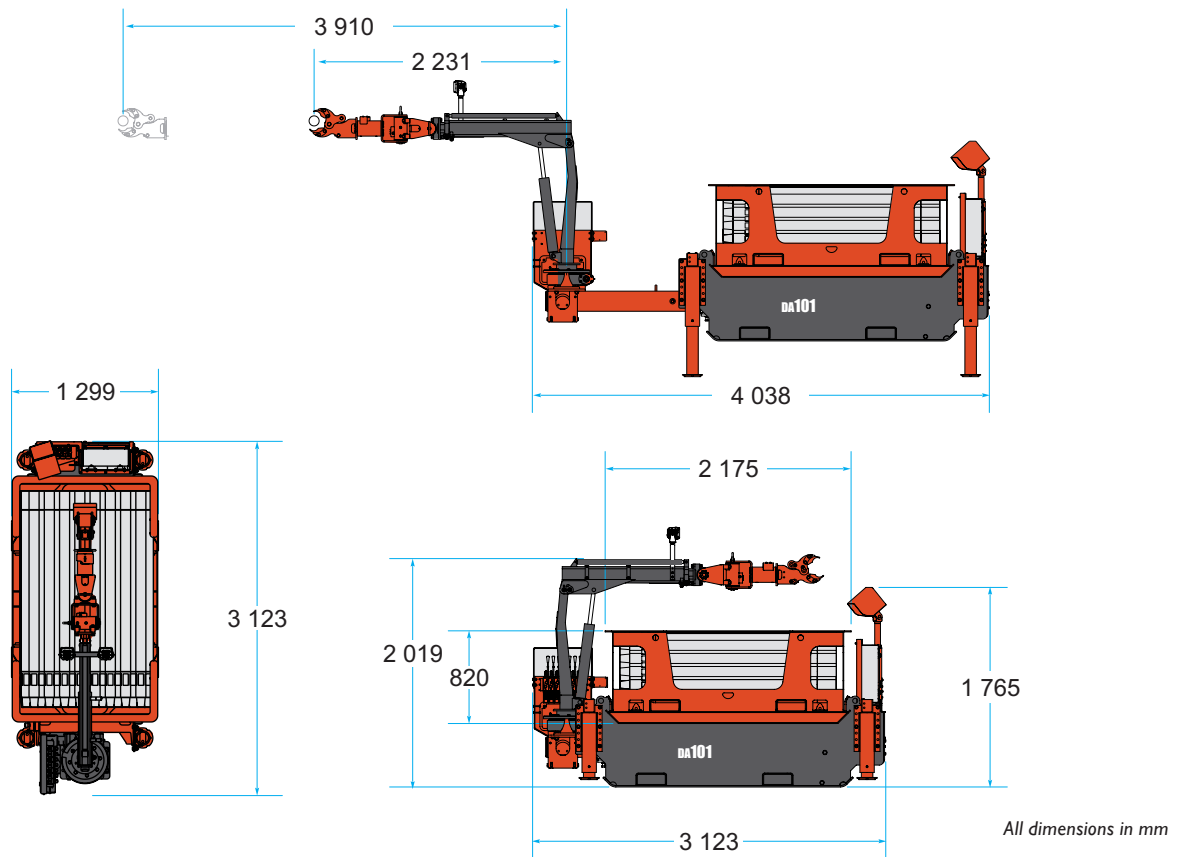
Hydraulic power for manipulator provided through umbilical hose to drill

DA101 (PT80) LOADED CASSETTE WEIGHT

Pipe size (in / mm)	Qty	Total weight (lbs / kg)
Empty pipe tub	–	1 150 / 523
3.1 / 79	105	6 925 / 3 148
3.5 / 89	85	6 335 / 2 880
4.5 / 114	53	6 397 / 2 908
5.0 / 127	39	5 440 / 2 473
5.9 / 150	33	5 110 / 2 323

ADDITIONAL OPTIONS

Additional pipe cassettes



Sandvik Mining and Rock Technology reserves the right to make changes to the information on this data sheet without prior notification to users. Please contact a Sandvik representative for clarification on specifications and options.

SANDVIK.COM

2. SANDVIK DA101 - DRILL PIPE HANDLER