



Ranger DX800i T4 SURFACE DRILLS

TECHNICAL SPECIFICATION

Ranger DX800i is a hydraulic, self-propelled, self-contained, crawler based surface drilling rig equipped with a cabin (F.O.P.S. and R.O.P.S.) and rod handling system.

Typical applications for DX800i are road cutting, pipe-line drilling and foundation drilling, as well as production drilling in medium size quarries. Therefore DX800i is most often used by construction contractors, mines and quarries, and also included in the equipment fleet of rental houses as well.

KEY FEATURES

| | |
|----------------------|--------------------------------------|
| Hole diameter: | 64 - 127 mm (3" - 5")* |
| Rock tools: | 38 mm, 45 mm, 51mm (1½", 1¾" and 2") |
| Rock Drill | 25kW, 21kW |
| Engine output: | 185kW |
| Flushing air: | 8.5 m3/min, up to 10 bar |
| Production capacity: | 1,8 Mt/year |
| Total weight : | 19 600 kg |

*if larger than 115mm holes drilled please consult factory



| HYDRAULIC ROCK DRILL | |
|-------------------------|------------------------------------|
| Rock drill | RD925M, RD925M-C, RD921S, RD921S-C |
| Rock tools | 45, 51, mm |
| Operating pressure | 100-200 bar |
| Percussion rate | 69 Hz/71 Hz |
| Percussion output power | 25kW/21kW |
| Maximum rotation torque | 1 750 Nm |
| Shank lubrication | Air / oil mist |
| Flushing | Air |
| Weight | 345 kg |

| FEED | |
|-------------------------------------|-----------------------|
| Feed type | CylF 16 feed HR |
| Total length | 7 500 mm |
| Rock drill travel | 4680 mm |
| Max. length of starter rod | 4 875 mm (16') |
| Hole depth with starter rod | 4480 mm |
| Hole depth with second rod | 8138 mm |
| Hose reel | Standard |
| Feed extension travel | 1300 mm |
| Feed/pull out force | 28 kN |
| Feed swing | -45°/+45° (-20°/+94°) |
| Feed tilt | 140° |
| Minimum height for horizontal holes | 410 mm |

| ROD CHANGER | |
|------------------|------------------------------|
| Rod changer type | RC1712 |
| Storage capacity | 7+1 rods (51 mm), 4+1 (60mm) |
| Rod length | 3050, 3660 (10', 12') |
| Max. hole depth | 30 m (7x12'+1x16') |

| BOOM | |
|-------------------|-----------------------|
| Boom type | DB5200, articulated |
| Boom reach | 5,2 m |
| Drilling coverage | 55m ² 290° |
| Collaring height | +2.6 m/-4.5 m |
| Horizontal holes | To the right |

| CABIN | |
|--------------------------|---------------------------------------|
| Cabin type | iCab |
| Certificates | F.O.P.S. and R.O.P.S. |
| Noise level in the cabin | below 78 dB(A) |
| Air conditioning | Intelligent air condition safety + * |
| Pressurization | Standard |
| Seat | Multiposition |
| Vibration dampening | Standard |
| Windows | Safety laminated, tinted, with wipers |
| Power take-off | 12 VDC |

* Air condition system contains fluorinated greenhouse gases HFC-134a

| POWERPACK | |
|-----------------------|---|
| Engine type | Volvo TAD871VE |
| DEF tank | AdBlue, 45 l |
| Number of cylinders | 6 |
| Engine output | 185kW / 1 800 rpm |
| Transmission type | Gear box |
| Screw compressor type | Enduro 25 |
| Air filters | 2 pcs., with ejector and safety element |
| Fuel tank | 400 l |

| HYDRAULIC SYSTEM | |
|--------------------------|---|
| Number of gear pumps | 2 pcs. for cooling |
| Number of piston pumps | 3 pcs. for drilling, tramming, boom and rodhandling, dust collector |
| Filtration rate | 10 micron abs., return 25 micron, pressure |
| Cooling capacity | up to +50°C ambient |
| Hydraulic oil tank | 200 l |
| Shank lubrication device | SLU 14-1 CSL (option) |

| CONTROL SYSTEM | |
|---------------------------------|---|
| Control system type | Sandvik SICA, PLC controlled proportional electro- hydraulics |
| Tramming/boom/ drilling control | PLC controlled |
| User interface | Electro-proportional joysticks and touchscreen |
| Control system diagnostics | Graphical flow chart type |
| Drilling control system type | iTorque |
| Antijamming system | For rotation and flushing |
| Collaring control | Automatic |
| Preset drilling parameters | Adjustable for fine tuning for different rock conditions |
| Voltage | 24 VDC |

| DUST COLLECTOR | |
|--------------------------|--|
| Dust collector type | DC 900H |
| Capacity/vacuum | 23 m ³ /min at 1 000 mm vacuum H ₂ O |
| Filter elements/material | 15 pcs/fiber |
| Total filter surface | 12 m ² |
| Primary cyclone | Standard |
| Movable suction head | Standard |

| CARRIER | |
|-------------------------|------------------------|
| Track type | FL 6 |
| Grouser plate width | 310 mm |
| Ground contact length | 2 750 mm |
| Ground pressure | 1.0 kg/cm ² |
| Ground clearance | 400 mm |
| Turnable superstructure | CCW180°+CW110° |
| Oscillation angles | +/- 10° |
| Tramming force | 156 kN |
| Max. tramming speed | 3.2 km/h |

STANDARD COMPONENTS

| |
|---|
| 1 pc Rock drill RD925M, hydraulic with SLU system |
| 1 pc CylF 16 feed HR, With hose reel |
| 1 pc Rod handler RC1712 incl. 1 set of jaws |
| 1 pc BoomDB5200, articulated |
| 1 pc Carrier track mounted, Rotating upper structure CW180+CCW110 Degrees |
| 1 pc Power pack diesel driven, hydraulic pumps and on-board compressor with twin pressure control |
| 1 pc Control system iTorque, incl Flushing control automatics, Shutdown of suction for waterholes |
| 1 pc Operator's cabin F.O.P.S. and R.O.P.S. with Intelligent air condition safety + |
| 1 pc Radio, 12V with USB MP3 Bluetooth, without CD |
| 1 pc Dust collection system DC 900 H, hydraulic, Primary separator |
| 10 pcs Working lights, Halogen |
| 1 pc Gauge set for accumulator pressure checking |
| 1 pc Alarm signal |
| 1 Set Manuals, paper copy |
| 1 Set Manuals, CD rom |
| 1 pc Alarm beacon |
| 1 pc Service light |
| EU-safety devices, EN16228 |

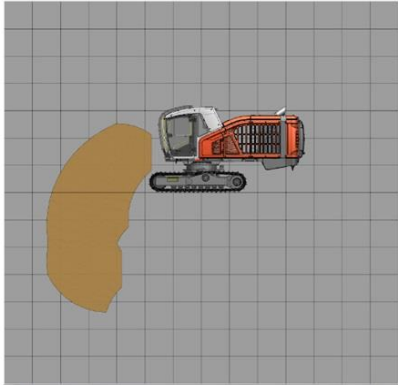
THE JAWS FOR DRILL STEELS

| DRILL STEEL TYPE | DRILL STEEL DIAMETER | RECOMMENDED HOLE DIAMETER |
|------------------|----------------------|---------------------------|
| Extension rods | 45 mm 1 3/4" | 76 - 89 mm 3" - 3 1/2" |
| MF-rods | 45 mm 1 3/4" | 76 - 89 mm 3" - 3 1/2" |
| MF-rods | 51 mm 2" | 89 - 127 mm 3 1/2" - 5" |
| Extension rods | 51 mm | 89 - 127 mm 3 1/2" - 5" |

SELECTION OF OPTIONS

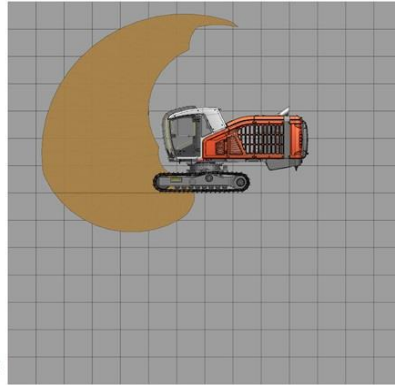
| |
|---|
| Alternative seat with 3-point seat belt and air cushioning |
| H13 Cabin filter, HEPA |
| Cooler bag in cabin |
| Radio, 12V,CD,USB, Bluetooth and siriusXM interface |
| Radio CD/MP3 Bluetooth, Handsfree, DAB |
| Reversing camera |
| Roller blinds for cabin windows |
| Vacuum cleaner for cabin |
| Explosive proof cabin window |
| Heated mirrors |
| Automatic feed alignment for TIMi |
| GPS aiming device for TIM and TIMi inclined holes |
| TIM3D hole navigation system |
| TIMi for inclined holes and hole depth measuring |
| TIMi laser level based depth measuring |
| Horizontal drilling kit |
| Kit for alternative steels, each |
| Thread greasing |
| One hole automatic drilling down to preset depth |
| Power extractor |
| Readyness for Power Extractor |
| CSL-system for R92x series rock drill, replaces standard component |
| RD921S rock drill, replaces standard component |
| Biogradeable hydraulic oil |
| Central lubrication system Sandvik |
| Electric fuel filling pump |
| Electric hydraulic oil filling pump |
| Electric water filling pump |
| Fast fill connection for engine coolant, hydraulic and engine oils |
| Fast fill connection for fuel and water tanks (not with option 5110) |
| Guides for grousers |
| Hydraulic rear ground support |
| Hydraulic winch with full radio drilling, tramming boom and rod handling |
| Towing hook |
| Extra brake for turnable upper structure (included in horizontal drilling) |
| Led lights, 9 pcs |
| Led lights 17 pcs. also carrier rear and side option lights |
| Cold weather package - 25 degrees |
| Cold-weather package -25degree, incl watertank heater |
| Fuel powered heater for engine, cabin and water tank |
| Readyness for fuel powered heater |
| Dustmizer requires flap feeder (engine heater option needed below freezing point) |
| Flap feeder for dust collector |
| Sampling device |
| Water injection system |
| Grinder Sandvik RG420H |
| Extra manuals, price will be added according to pricing sheet |
| First service kit for Ranger DXi series |
| Special tools for RD92x series, field |
| Special tools for RD92x series, complete |
| Service agreement - select level from extra item |
| SanRemo - select level from extra item |

COVERAGE AREA AND DIMENSIONS

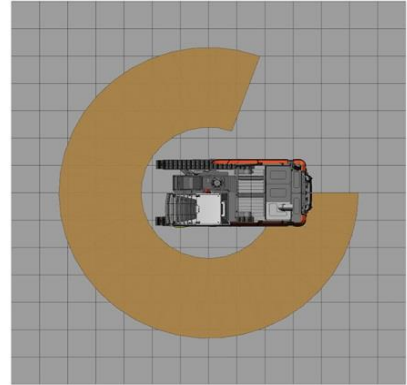


Vertical drilling

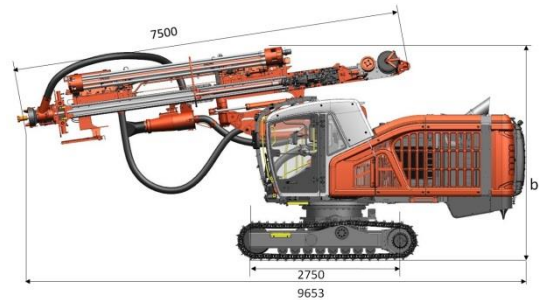
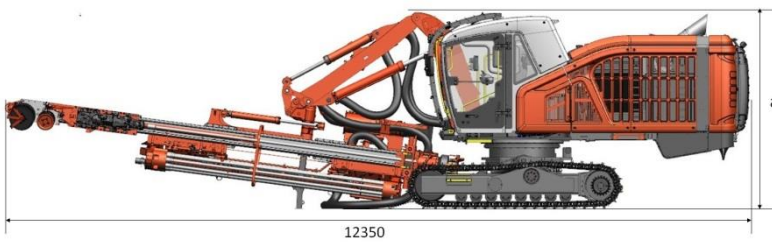
1m



Horizontal drilling

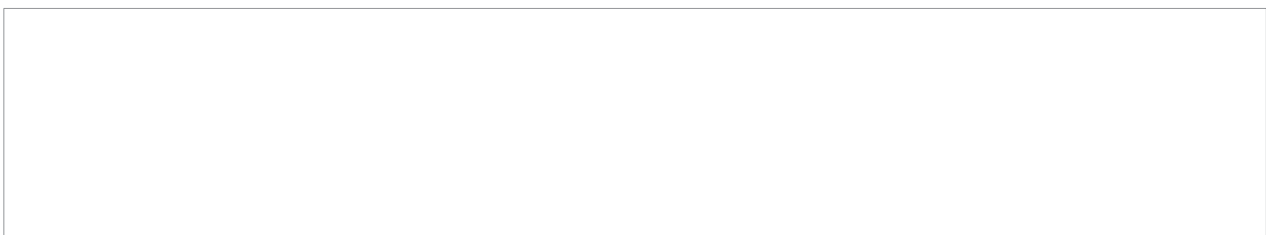


Drilling coverage



DIMENSIONS

| | |
|---------------------|------------------|
| Weight | 19 600 kg |
| Width | 2.45 m |
| Height | a/b, 3.3 m/4.4 m |
| With safety cage | a/b, 3.3 m/4.4 m |
| With noise silencer | 3.7 m/5 m |
| Total length | 12,35m |



Sandvik Mining and Rock Technology reserves the right to make changes to the information on this data sheet without prior notification to users. Please contact a Sandvik representative for clarification on specifications and options.

CONSTRUCTION.SANDVIK.COM