



Ranger DX800i S5 SURFACE DRILLS

TECHNICAL SPECIFICATION

Ranger DX800i is a hydraulic, self-propelled, self-contained, crawler based surface drilling rig equipped with a cabin (F.O.P.S. and R.O.P.S.) and rod handling system.

Typical applications for DX800i are road cutting, pipe-line drilling and foundation drilling, as well as production drilling in medium size quarries. Therefore DX800i is most often used by construction contractors, mines and quarries, and also included in the equipment fleet of rental houses as well.

KEY FEATURES

Hole diameter:	64 - 127 mm (3" - 5")*
Rock tools:	38 mm, 45 mm, 51mm (1½", 1¾" and 2")
Rock Drill	25kW, 21kW
Engine output:	185kW
Flushing air:	8.5 m3/min, up to 10 bar
Production capacity:	1,8 Mt/year
Total weight :	19 600 kg

*if larger than 115mm holes drilled please consult factory



STANDARD COMPONENTS

1 pc Rock drill RD925M, hydraulic with SLU system
1 pc CylF 16 feed HR, With hose reel
1 pc Rod handler RC1712 incl. 1 set of jaws
1 pc BoomDB5200, articulated
1 pc Carrier track mounted, Rotating upper structure CW180+CCW110 Degrees
1 pc Power pack diesel driven, hydraulic pumps and on-board compressor with twin pressure control
1 pc Control system iTorque, incl Flushing control automatics, Shutdown of suction for waterholes
1 pc TIMi for vertical holes and depth measuring
1 pc Operator's cabin F.O.P.S. and R.O.P.S. with Intelligent air condition safety +
1 pc Radio, 12V with USB MP3 Bluetooth, without CD
1 pc Dust collection system DC 900 H, hydraulic, Primary separator
10 pcs Working lights, Halogen
1 pc Gauge set for accumulator pressure checking
1 pc Alarm signal
1 Set Manuals, paper copy
1 Set Manuals, USB memory
1 pc Alarm beacon
1 pc Service light
EU-safety devices, EN16228

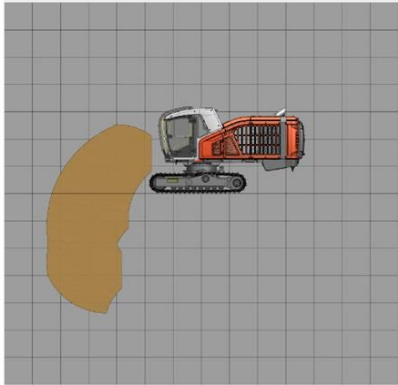
THE JAWS FOR DRILL STEELS

DRILL STEEL TYPE	DRILL STEEL DIAMETER	RECOMMENDED HOLE DIAMETER
MF-rods	38 mm 1 1/2"	64 - 70 mm 2 1/2" - 2 3/4"
MF-rods	45 mm 1 3/4"	76 - 89 mm 3" - 3 1/2"
MF-rods	51 mm 2"	89 - 127 mm 3 1/2" - 5"

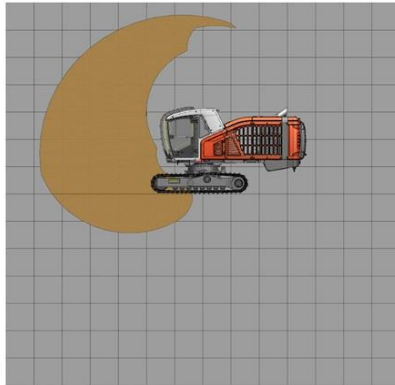
SELECTION OF OPTIONS

Additional tool/bit box below cabin
Alternative seat with 3-point seat belt and air cushioning
H13 Cabin filter, HEPA
Cooler bag in cabin
Radio CD/MP3 Bluetooth, Handsfree, DAB
Reversing camera
Roller blinds for cabin windows
Vacuum cleaner for cabin
Explosion proof cabin window
Heated mirrors
Driller's Notes - MWD Data Collection for TIM3D
Automatic feed alignment for TIMi
GPS aiming device for TIM and TIMi inclined holes
TIM3D hole navigation system
TIMi for inclined holes and hole depth measuring
TIMi for inclined holes with TIM3D readiness
TIMi laser level based depth measuring
TIMi with open interface (Option laser level included)
RockPulse sensor system
Horizontal drilling kit with extra brake, (not with long feed)
Long safety cage, replaces standard component
Kit for alternative steels, each
Thread greasing
Full cycle one hole automatic drilling
Power extractor
Readyness for Power Extractor
CSL-system for R92x series rock drill, replaces standard component
RD921S rock drill, replaces standard component
Biogradeable hydraulic oil, not with CSL
Central lubrication system Sandvik
Electric fuel filling pump
Electric hydraulic oil filling pump
Electric water filling pump
Fast fill connection for engine coolant, hydraulic and engine oils
Fast fill connection for fuel Wiggins
Fire suppression system Sandvik, Eclipse 65L
Guides for grousers, long
Rear bumper
Long feed for 14' rods, CylF 18 HR, not with horizontal drilling
Hydraulic rear ground support
Hydraulic winch with full radio drilling, tramming boom and rod handling
Remote screen interface (Tablet or mobile phone not included)
Three bar grouser plates
Towing hook
Extra brake for turnable upper structure (included in horizontal drilling)
Led lights, 9 pcs
Led lights 17 pcs. also carrier rear and side option lights
Cold weather package - 25 degrees
Cold-weather package -25degree, incl watertank heater
Readyness for fuel powered heater
Dustmizer requires flap feeder (engine heater option needed below freezing point)
Flap feeder for dust collector
Sampling device
Water injection system
CME Grinder readiness
Spare radio remote transmitter
Extra manuals, price will be added according to pricing sheet
First service kit for Ranger DXi series
Special tools for RD92x series, field
Special tools for RD92x series, complete
Service agreement - select level from extra item
SanRemo - select level from extra item

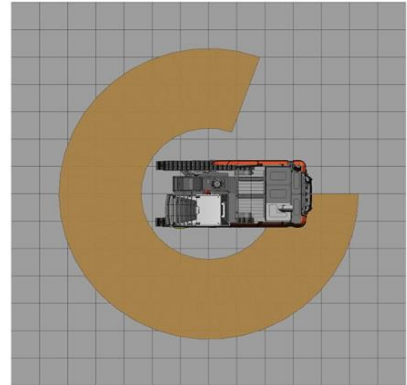
COVERAGE AREA AND DIMENSIONS



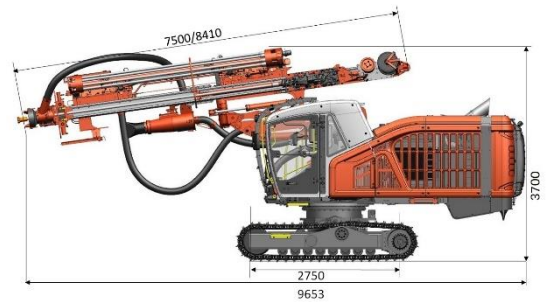
Vertical drilling



Horizontal drilling

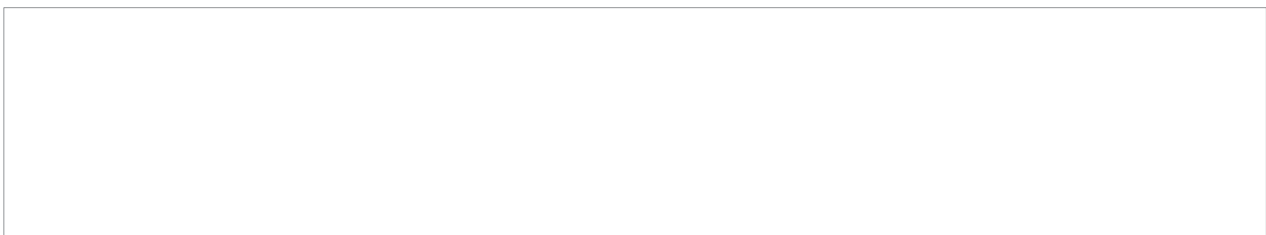


Drilling coverage



DIMENSIONS

Weight	19 600 kg
Width	2.45 m
Height	a/b, 3.3 m/4.4 m
With safety cage	a/b, 3.3 m/4.4 m
With noise silencer	3.7 m/5 m
Total length	12,35m, 13,26m with CylF 18 (option)



Sandvik Mining and Rock Technology reserves the right to make changes to the information on this data sheet without prior notification to users. Please contact a Sandvik representative for clarification on specifications and options.

ROCKTECHNOLOGY.SANDVIK