



Trimmer DQ440ZR SURFACE DRILLS

TECHNICAL SPECIFICATION

Trimmer DQ440ZR is hydraulically operated, excavator mounted splitting and trimming unit for dimensional stone quarries. For ease of operation and for enhancing productivity DQ440ZR includes feature rich drilling automation. This enables operator to choose from different drilling modes. In automatic mode DQ440ZR drills whole line of holes completely automatic. With semiautomatic holes are drilled automatically but side movement and hole spacing is handled by operator. In manual mode all functions are controlled by operator.

KEY FEATURES

Hole diameter:	23 - 45 mm (7/8" – 1 3/4")
Rock tools:	20 or 22 mm (3/4" or 7/8")
Rock Drill	5,5 kW
Flushing air:	5 m ³ /min, up to 8 bar
Total weight :	4000 kg w/o options, 4500 kg with options



HYDRAULIC ROCK DRILL

Rock drill	RD106
Rock tools	HEX 19 x 108 mm, HEX 22 x 108 mm
Operating pressure	100 - 180 bar
Percussion output power	5.5 kW
Maximum rotation torque	100 Nm/120 bar
Shank lubrication	Air/oil mist
Flushing	Air
Weight	46 kg

FEED

Feed type	4x CF 100x24 / HEX 1
Total length	3 670 mm
Rock drill travel	2 670 mm
Max. length of starter rod	2 400 mm
Hole depth with starter rod	2 100 mm
Hole depth with second rod	4 500 mm
Hole depth with single pass	2 670 mm
Single pass drill steel	2 970 mm
Retaining centralizer	Manual
Steel retainer	Hydraulic
Feed extension travel	600 mm
Feed/pull out force	3,7 kN

FRAME

Frame length	3 500 mm
Drilling length	3 100 mm
Hydraulic legs	4 pcs
Working lights	4 pcs
Vertical swing	-90°/+90°
Horizontal Swing	-30°/+30°
Tilt	-38°/+27°
Horizontal zoom	225 mm
Trimmer frame positioning	Laser guided
Ground support	Hydraulic operated, Horizontally moving

REQUIREMENTS FOR THE EXCAVATOR

Min. oil flow for drilling	2 x 250 l/min / 150 bar
Engine power min.	173 Kw
Electric system	24 V
Max. pilot pressure (for remote control)	30 bar
Min. boom lifting capacity	4500 kg at max reach to the side

CONTROL SYSTEM

Control system type	PLC controlled electro-proportional hydraulics
User interface	Radio remote and pressure gauges
Drilling control system type	TA 341 E, 4 pcs.
Antijamming system	Standard
Auto-stop to preset hole depth	Standard
Half power drilling in collaring and finishing of the hole	Standard
Automated side movement of chain feeds to next hole	Standard
Adjustable hole spacing	Standard
Digital inclination indicator / operator console	Standard
Simulation of drilling cycle	Standard
Voltage	24 VDC

DUST COLLECTOR

Dust collector type	DC 710 H
Capacity/vacuum	25 m ³ / min at 1000 mm vacuum H2O
Filter elements/material	12 pcs / fiber
Total filter surface	9,6 m ²

STANDARD COMPONENTS

1 pc	Frame
4 pcs	Hydraulic jacks
4 pcs	Working lights
4 pcs	Rock drill RD106, hydraulic
4 pcs	Chain feed CF 100 x 24
4 pcs	Control panel TA 341 E-24, radio remote
4 pcs	Shank lubricator WL 30
1 pc	Dust collector DC710H
1 pc	Compressor
1 pc	Installation package
1 pc	Lock valves for excavator boom cylinders without assembly machinery
1 set	Manuals, paper copy
1 set	Manuals, USB memory

Not delivered by sandvik

Hydraulic connection between DQ440ZR and excavator hydraulics

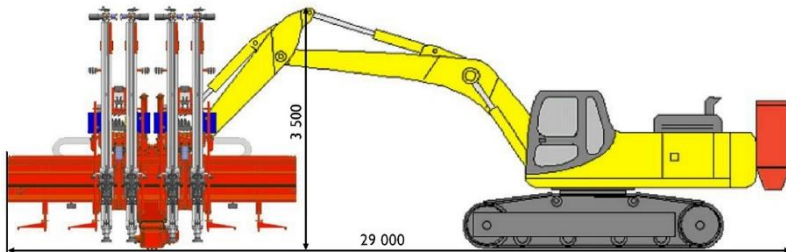
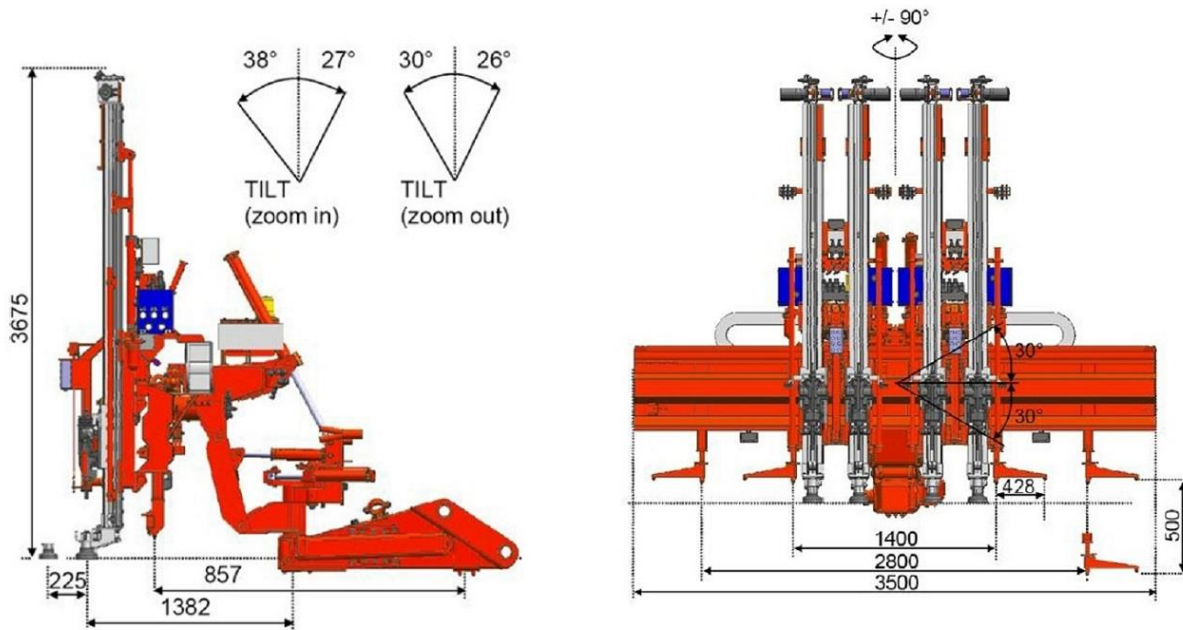
THE JAWS FOR DRILL STEELS

DRILL STEEL TYPE	DRILL STEEL DIAMETER	RECOMMENDED HOLE DIAMETER
Hexagonal steels	19 mm 3/4"	22 - 27 mm 7/8" - 1 1/16"
Hexagonal steels	22 mm 7/8"	28 - 45 mm 1 7/64" - 1 3/4"

SELECTION OF OPTIONS

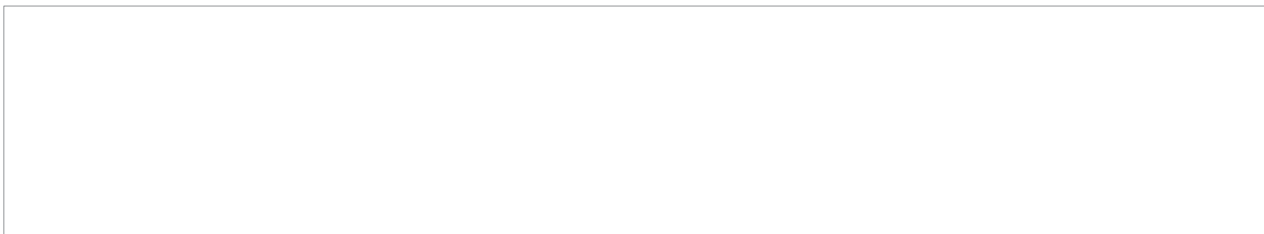
Grinder Sandvik RG100H
Day container for drilling dust
Excavator with 3-piece boom
Steel wearing strips for chain feeds, 4 sets
Extra manuals, price will be added according to pricing sheet
Tools for RD106, field kit (not include punches)
Punches for RD106, workshop kit
Service agreement - select level from extra item
Trimmer DQ440ZR Steel surcharge

COVERAGE AREA AND DIMENSIONS



DIMENSIONS

Weight	4000 kg w/o options, 4500 kg with options
Width	3 500 mm
Height	3 500 mm
Total length	29 m



Sandvik Mining and Rock Solutions reserves the right to make changes to the information on this data sheet without prior notification to users. Please contact a Sandvik representative for clarification on specifications and options.

ROCKTECHNOLOGY.SANDVIK