



Sandvik DQ240R SURFACE DRILLS

TECHNICAL SPECIFICATION

Sandvik DQ240R is hydraulically operated, excavator mounted line drilling unit for dimensional stone quarries. DQ240R includes feature rich drilling control system with radio remote control. Drilling single pass holes can be completely automated with Automatic Drilling option. With this option DQ240R drills whole line of holes completely automatic. When drilling deeper holes with second steel, semiautomatic mode can be used. With this mode holes are drilled automatically but machine stops for rod changes. In manual mode all functions are controlled by operator. DQ240R also includes preinstalled and tested Installation Package which makes installing necessary systems to excavator really easy.

KEY FEATURES

Hole diameter:	22 - 45 mm (7/8" - 1 3/4")
Rock tools:	19 or 22 mm (3/4" or 7/8")
Rock Drill	5,5 kW
Flushing air:	3,5 m ³ /min, up to 8 bar
Total weight :	1 100 kg (Installation Package) = 3 600 kg



HYDRAULIC ROCK DRILL	
Rock drill	HEX1
Rock tools	HEX 19 x 108 mm, HEX 22 x 108 mm
Operating pressure	100 - 180 bar
Percussion output power	5.5 kW
Maximum rotation torque	100 Nm/120 bar
Shank lubrication	Air/oil mist
Flushing	Air
Weight	46 kg

FEED	
Feed type	2x CF 100x24 / HEX 1
Total length	3 670 mm
Rock drill travel	2 670 mm
Max. length of starter rod	2 400 mm
Hole depth with starter rod	2 100 mm
Hole depth with second rod	4 500 mm
Hole depth with single pass	2 670 mm
Single pass drill steel	2 970 mm
Retaining centralizer	Manual
Steel retainer	Hydraulic
Feed extension travel	600 mm
Feed/pull out force	3,7 kN

FRAME	
Frame length	3 560 mm
Drilling length	3 150 mm
Hydraulic legs	4 pcs
Working lights	2 pcs
Vertical swing	-80°/+80°
Horizontal Swing	-30°/+30°
Tilt	-35°/+40°
Horizontal zoom	200 mm

REQUIREMENTS FOR THE EXCAVATOR	
Min. oil flow for drilling	250 l/min / 150 bar
Min oil flow for boom	40 l/min / 210 bar
Engine power min.	100 Kw
Electric system	24 V
Max. pilot pressure (for remote control)	30 bar
Min. boom lifting capacity	2900 kg at max reach to the side

INSTALLATION PACKAGE	
Pre installed package includes:	
Frame and covers	
Dust collector	
Compressor	
Control valves	
Oil coolers	
Electrics	
Weight 1100 kg	

CONTROL SYSTEM	
Control system type	PLC controlled electro-proportional hydraulics
User interface	Radio remote and pressure gauges
Drilling control system type	TA 341 E, 2 pcs.
Antijamming system	Standard
Auto-stop to preset hole depth	Standard
Half power drilling in collaring and finishing of the hole	Standard
Automated side movement of chain feeds to next hole	Standard
Adjustable hole spacing	Standard
Digital inclination indicator / operator console	Standard
Simulation of drilling cycle	Standard
Voltage	24 VDC

DUST COLLECTOR	
Dust collector type	DC 710 H
Capacity/vacuum	17 m ³ / min at 1000 mm vacuum H ₂ O
Filter elements/material	12 pcs / fiber
Total filter surface	9,6 m ²

STANDARD COMPONENTS

1 pc Drilling frame
2 pcs Chain feed CF 100 x 24
2 pcs Rock drill HEX1, hydraulic
2 pcs Shank lubricator WL 30
2 pcs Control panel TA 341 E-24, Radio Remote
1 pc Electronic XY inclination display
4 pcs Hydraulic jacks
2 pcs Working lights
1 pc Installation package
1 pc Electric box
1 set valves for excavator control
6 pcs Lock valves for excavator boom cylinders
1 set Manuals, paper copy
1 set Manuals, CD-ROM

Not delivered by sandvik

Excavator specific mounting bracket between boom and DQ240R drilling frame
Excavator specific mounting brackets between excavator and Installation Package
Hydraulic connection parts between DQ240R and excavator hydraulics

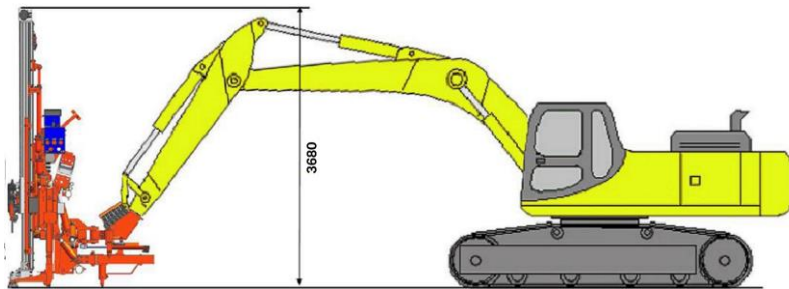
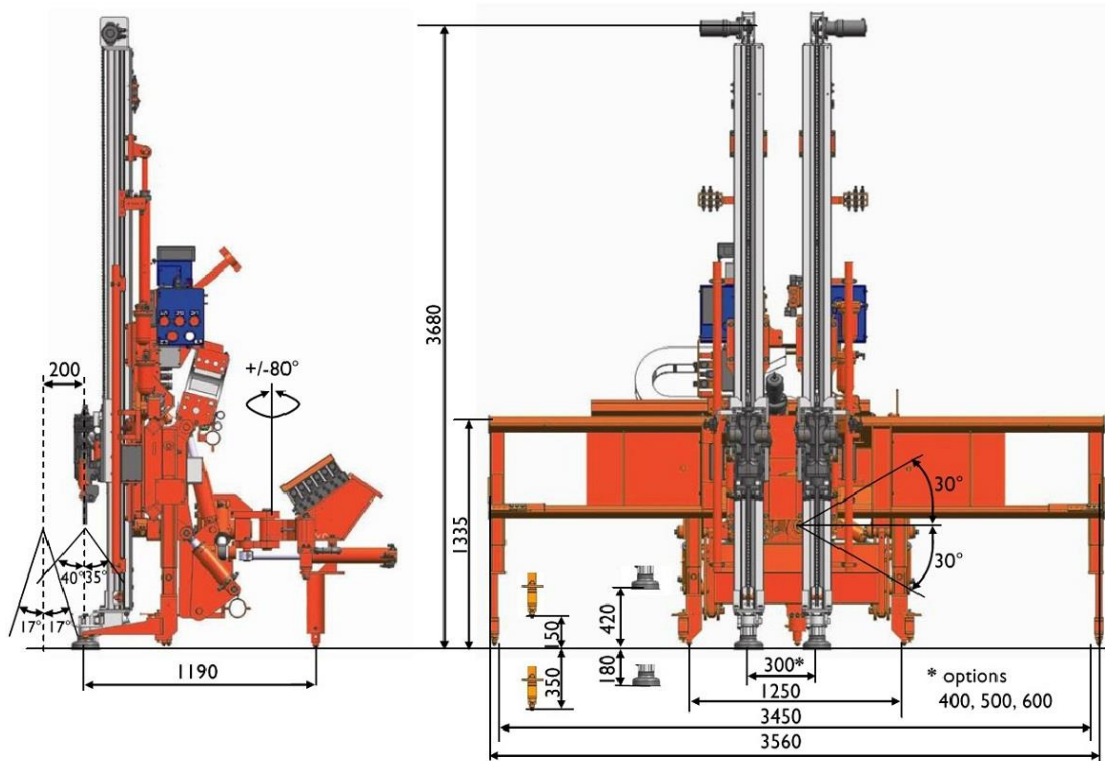
THE JAWS FOR DRILL STEELS

DRILL STEEL TYPE	DRILL STEEL DIAMETER	RECOMMENDED HOLE DIAMETER
Hexagonal steels	19 mm 3/4"	22 - 27 mm 7/8" - 1 1/16"
Hexagonal steels	22 mm 7/8"	28 - 45 mm 1 7/64" - 1 3/4"

SELECTION OF OPTIONS

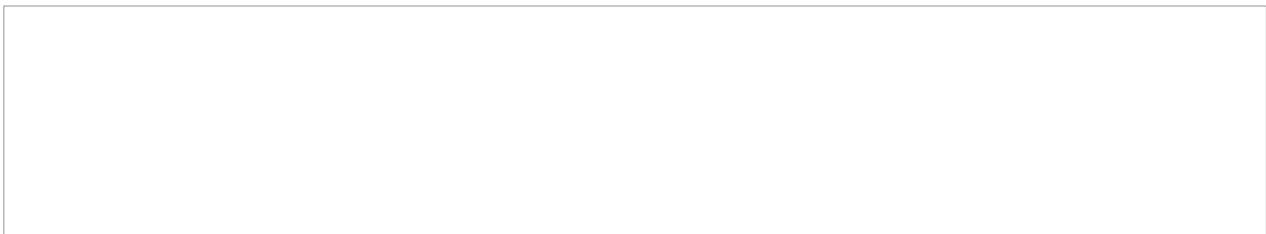
Grinder Dynaset
Grinder Sandvik RG100H
Grinder Sandvik RG400
Chain feeds CF 100 x 32, 2 pcs
Chain feeds CF 100 x 40, 2 pcs
Drill steel pulling device with hydraulic front centralizer, left
Drill steel pulling device with hydraulic front centralizer, right
Drilling automatics
Excavator with 3-piece boom
Hydraulic front centralizer, left
Hydraulic front centralizer, right
Special ground support
Steel wearing strips for chain feeds, 2 sets
Water flushing kit, 2 sets
Extra manuals, price will be added according to pricing sheet
Special tools for HEX 1
Service agreement - select level from extra item

COVERAGE AREA AND DIMENSIONS



DIMENSIONS

Weight	1 100 kg (Installation Package) = 3 600 kg
Width	3 470 mm
Height	3 680 mm



Sandvik Mining and Rock Technology reserves the right to make changes to the information on this data sheet without prior notification to users. Please contact a Sandvik representative for clarification on specifications and options.

CONSTRUCTION.SANDVIK.COM