



# Commando DC300Ri T3 SURFACE DRILLS

## TECHNICAL SPECIFICATION

Commando™ DC300Ri is a hydraulic, self-propelled surface drilling unit on a 4-wheel, oscillated drive carrier, with full radio remote control.

Typical applications for DC300Ri are road construction, demolition works, secondary breaking, foundation drilling, trenching and occasional bolting. Therefore DC300Ri is most often used by construction contractors, quarries and the municipal sector. Due to its versatility DC300Ri is a perfect machine for drilling and blasting contractor.

### KEY FEATURES

Hole diameter:	38 - 64 mm (1 ½" – 2 ½")
Rock tools:	R28, R32, T35
Rock Drill	9 kW
Engine output:	74,4 kW (Tier 3)
Flushing air:	3 m <sup>3</sup> /min, up to 8 bar
Production capacity:	450 - 800 m <sup>3</sup> /8h
Total weight :	6100 kg (dry weight)



**STANDARD COMPONENTS**

1 pc	Rock drill HL 300, hydraulic, 80cc Rotation motor
1 pc	Chain feed CF 300 x 14/Pito 1, incl. one set of jaws
1 pc	Boom DB 300 HD, articulated
1 pc	Carrier, rubber-tyred
1 pc	Power pack, diesel driven, hydraulic pumps and on-board compressor
1 pc	Hydraulic system, open center
1 pc	Sandvik SICA, PLC controlled proportional electro-hydraulics, electric, radio remote for boom, drilling and tramming controls delivery includes also cable between radio and unit
1 pc	Dust collection system DC 400H, hydraulic
7 pcs	Working lights (halogen)
4 pcs	Hydraulic jacks
1 Set	Manuals, paper copy

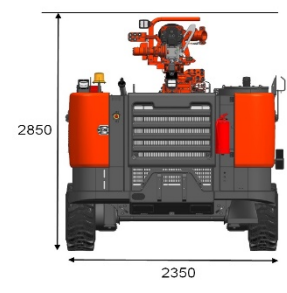
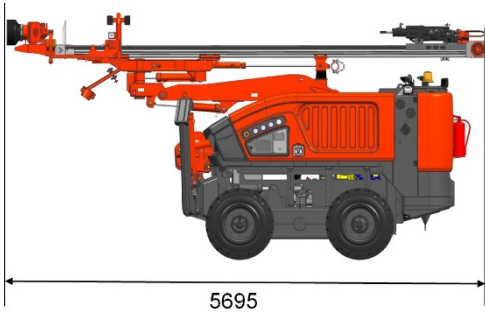
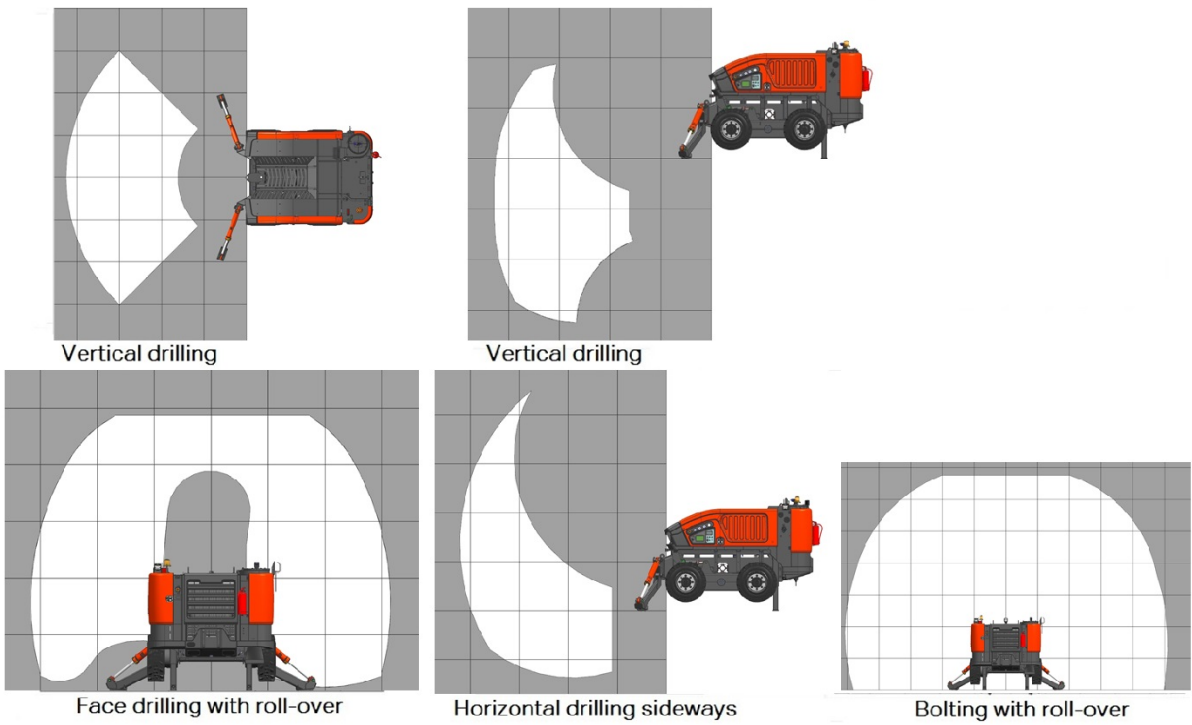
**THE JAWS FOR DRILL STEELS**

DRILL STEEL TYPE	DRILL STEEL DIAMETER	RECOMMENDED HOLE DIAMETER
MF-rods	R28 / 28 mm	38 – 43 mm
MF-rods	R32 / 32 mm	43 – 64 mm
MF-rods	T35 / 39 mm	54 – 64 mm

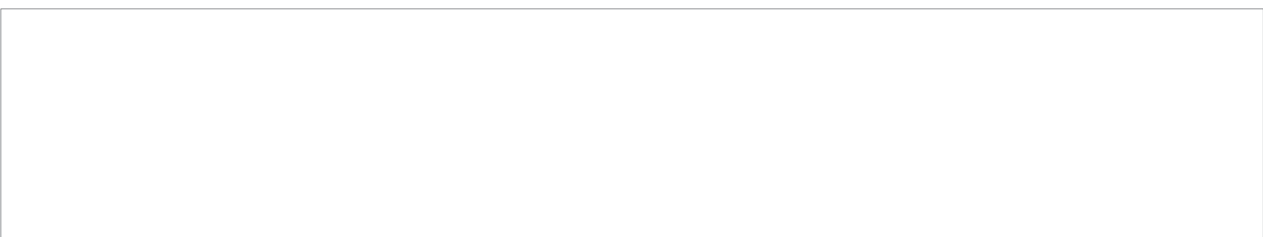
**SELECTION OF OPTIONS**

TIMi for vertical holes and hole depth measuring
TIMi horizontal holes measurement (requires TIMi)
TIMi aligned holes with GPS and hole depth measurement
Auto alignment for DC TIMi
Rod handler for one rod
Kit for alternative steels, each
Rod thread greasing
Real time rock drill position
Torque control
Hydraulic roll-over for DC300Ri
Pressure filter for percussion line
Biogradeable hydraulic oil
Central lubrication system Lincoln
Chain tracks
Electric fuel filling pump
Hydraulic winch
Remote screen interface (Tablet or mobile phone not included)
Led lights 7 pcs
Led side lights 2 pcs
Electric engine heater and float charger 230 V
Exhaust gas purifier
Fuel powered heater for engine
Jump start plug
Dustmizer with flap feeder
Flap feeder for dust collector
Flushing control automatics
Shut down of suction for water holes
Raised dust collector
Water flushing kit without water pump
Water pump for water flushing kit
Grinder Sandvik RG400
Hydraulic connection for grinder
Steel wearing strips for chain feed
Spare radio remote transmitter
Shoulder harness for radio remote transmitter
Extra manuals, price will be added according to pricing sheet
First service kit for DC300
Special tools for HL 300, field kit
Service agreement - select level from extra item
SanRemo - select level from extra item

COVERAGE AREA AND DIMENSIONS



DIMENSIONS	
Weight	6100 kg (dry weight)
Width	2.35 m
Height	a, 2.85 m
With safety cage	a, 2.85 m
Total length	5695 mm



Sandvik Mining and Rock Technology reserves the right to make changes to the information on this data sheet without prior notification to users. Please contact a Sandvik representative for clarification on specifications and options.

ROCKTECHNOLOGY.SANDVIK