

Mineral Ground Tools

Trenching and Terrain-Leveling

RC200





Advanced brazing/heat treatment



Cutting force analysis



Engineering expertise

Productivity in Action

SANDVIK TOOLS

TOUGH TOOLS FOR TOUGH JOBS

Sandvik Mining and Construction manufactures a full line of tools and accessories for the trenching, road planing, reclaiming, tunneling, longwall mining and continuous mining industries. Our tools are manufactured globally to the highest quality standards, using the strongest materials and most stringent manufacturing processes.

Headquartered in Sandviken, Sweden, and established in 1862, Sandvik is a high-technology engineering group and the world's leading manufacturer of tungsten carbide tools for the construction, mining and drilling industries.

We take special care in the manufacturing process to ensure that the cemented tungsten carbide in Sandvik's tools will meet our customers' demanding needs. The tungsten carbide is processed through a proprietary method to maximize its strengths and brazing properties. A special brazing/heat treatment bonds the tungsten carbide to high-grade alloy steel to ensure the hardness of the steel – and the superior performance of these tools in the field.

You can be confident that Sandvik tools will always provide maximum productivity and efficiency and that we will back them with the most dedicated customer and technical support in the industry.

As the world's leading supplier of drilling, excavation, crushing and screening machinery, and equipment and tools for the mining and construction industries, only Sandvik can offer customers the entire package – products, service and expertise. We use our nearly 150 years of experience and our comprehensive product line to create value for our customers through relationships that combine hands-on knowledge of our customers' processes with our own real-world applications knowledge – proven around the world.

NOTE: This is the 2009 catalog for Sandvik trenching and terrain-leveling tools and all data are current at time of printing. Visit our Web site at www.miningandconstruction.sandvik.com to learn more about our services and to check for any updates on the tools and products listed here. Periodic technical bulletins may be issued with updates.

TABLE OF CONTENTS

SUBJECT	PAGE #
PRODUCT INDEX	2
SANDVIK CEMENTED CARBIDE	3
CARBIDE TIPS	4
CONICAL TOOLS	6
T14	7
T18	8
T19	10
T22	13
T25	14
T38 x 30	16
BLOCKS	22
T14	23
T18	24
T19	25
T22	26
T25	27
T38 x 30	28
WELDED TOOLS	30
ACCESSORIES	31

LOOK FOR



PRODUCT INDEX

PRODUCT	PAGE #	PRODUCT	PAGE #
B3AA-1843-4500	.24	M8T-0059	.32
B3AA-1943-4500	.25	M8T-0060	.32
B3AG-2566-4500	.27	M8T-66EXT	.32
B3AH-1843-4500	.24	M8T-990EXT	.32
B3AH-1943-4500	.25	P0XX-1934-0169	.30
B3AH-2243-4500	.26	P0XX-2860-2366	.30
B3AH-2574-5000	.27	P0DS-3888-1661	.21
B3AI-2574-5000	.27	P3DD-3870-0862	.16
B3AJ-1853-4500	.24	P3DD-3870-5662	.16
B3AJ-1953-4500	.25	P3DD-3876-0862	.16
B3AX-2566-4500	.27	P3DD-3876-5662	.16
B3BA-1429-4500	.23	P3DS-3870-0862	.18
B3BJ-2253-4500	.26	P3DS-3870-1962	.18
B3DH-3874-5000	.28	P3DS-3870-5662	.18
B3DH-3880-5000	.29	P3DS-3876-0862	.18
B3DI-3874-5000	.28	P3DS-3876-5662	.18
B3DI-3880-5000	.29	P3DS-3889-0862	.18
H1MA-1428-0169	.7	P3DS-3889-2062	.18
H1MA-1430-0562	.7	P3DX-3870-2062	.21
H1MA-1944-0169	.10	P3PD-2563-0169	.14
H2MA-1844-0962	.8	P3PD-2563-0862	.14
H2MA-1846-0169	.8	P3PD-2563-2262	.14
H2MA-1844-3562	.8	P3PD-2563-2362	.14
H2MA-1849-0962	.8	P3PD-2563-3562	.14
H2MA-1944-0962	.10	P3PD-2563-5662	.14
H2MA-1946-0169	.10	P9QA-2560-3562	.15
H2MA-1944-3562	.10	P9QA-2561-4262	.15
H3LA-1847-4262	.9	P9QA-2563-0169	.15
H3LA-1847-3562	.9	Q3DD-3870-2362	.16
H8LC-1943-0169	.12	Q3DD-3870-3562	.16
K1LA-1430-2466	.7	Q3DD-3876-4162	.16
K1LA-2246-0169	.13	Q3DS-3863-2362	.19
K1LA-2249-3866	.13	Q3DS-3870-2362	.19
K1MA-2244-0362	.13	Q3DS-3870-3562	.19
K1MA-2245-0169	.13	Q3DS-3876-4162	.19
K1MA-2249-3866	.13	Q3DS-3888-3562	.19
K1MA-2249-8362	.13	Q3PD-2570-3562	.15
K2HA-1945-0169	.11	T3DD-3863-2162	.17
K2LA-1845-0169	.8	T3DD-3863-3562	.17
K3LA-1843-0169	.9	T3DD-3863-4162	.17
K3LA-1943-0169	.11	T3DD-3876-2162	.17
M8T-0003-19	.31	T3DD-3876-3562	.17
M8T-0003-25QA	.31	T3DD-3876-3962	.17
M8T-0004	.31	T3DD-3876-4162	.17
M8T-0014-110	.31	T3DS-3870-4162	.20
M8T-0051	.31		

SANDVIK CEMENTED CARBIDE

Sandvik Mining and Construction is the world's leading supplier of machines and tool systems for all rock, surface and mineral excavation applications. Sandvik is developing new hard material alloys in the R&D Centre in Stockholm, Sweden, and the new tools (in this catalog) are designed and tested in Sandvik facilities in the United States, South Africa, India, Europe and Australia. The company delivers millions of tools annually, including everything from small road planing, ice scraping and roof drilling bits used in all types of coal and soft minerals, to the biggest tunneling, trenching and surface mining tools.

The demand on tool performance, especially pertaining to the cemented carbide tip material and its resistance to wear and fracturing, becomes more critical as we progress into harder rock and mineral formations. Larger continuous cutting machines are being used to replace the drill and blast process in many tunneling and construction projects. The continuous process offers a lower cost per ton of excavated material, assures maximum worker safety and has a positive effect on the environment.

An extensive research project within Sandvik has resulted in a new generation of carbide grades and new larger, stronger, more stable and efficient tools.

NEW CEMENTED CARBIDE ALLOYS

Hard Rock Grade
Soft Rock Grade

This latest generation of patented carbide grades is manufactured using an innovative process technique with completely new raw materials. This process has made it possible, for the first time, to create new extra-coarse, super-tough alloys with perfectly uniform grain structure. The creation of this carbide, with a significantly stronger carbide matrix and a

perfect grain size configuration, has contributed to the superior toughness and high-temperature wear resistance experienced in a great number of operations and tests. All grades are now available in selected Sandvik special and standard tools. The tool steels have been further improved to match the performance of the new grades.

The new hard rock grade has proven to be 1.5 to 3 times better than anything else on the market in hard-to-brutal tunneling, trenching and coal mining applications.

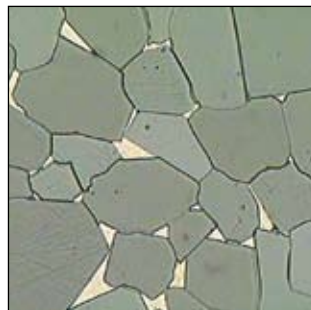
NEW CARBIDE AND TOOL GEOMETRIES – LOW ENERGY CAP TOOLS

Many new versions of the Sandvik patented “low-energy” or cap-type tools have been introduced, not only for road planing and smaller mining tools, but also for big trenching, roadheading and longwall applications. The geometries have been calculated in CAD programs and simulated with FEM-measurement techniques, and have seen extensive rig and field testing. All forces and torques on the

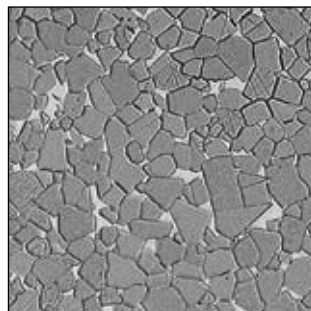
tools have been measured, confirming the cutting simulations, thus leading to further optimization of tool life, lowering the machine loads and reducing sparks and dust.

The Sandvik range of standard grades are cost effective in all general surface and underground applications and meet or exceed the performance of competitive brands.

Sandvik has again intensified its R&D efforts in the field of new alloys and super-hard materials (CBN and diamonds), helping to make us the most respected and innovative tool producer in the world.



Hard Rock Grade
(magnified)



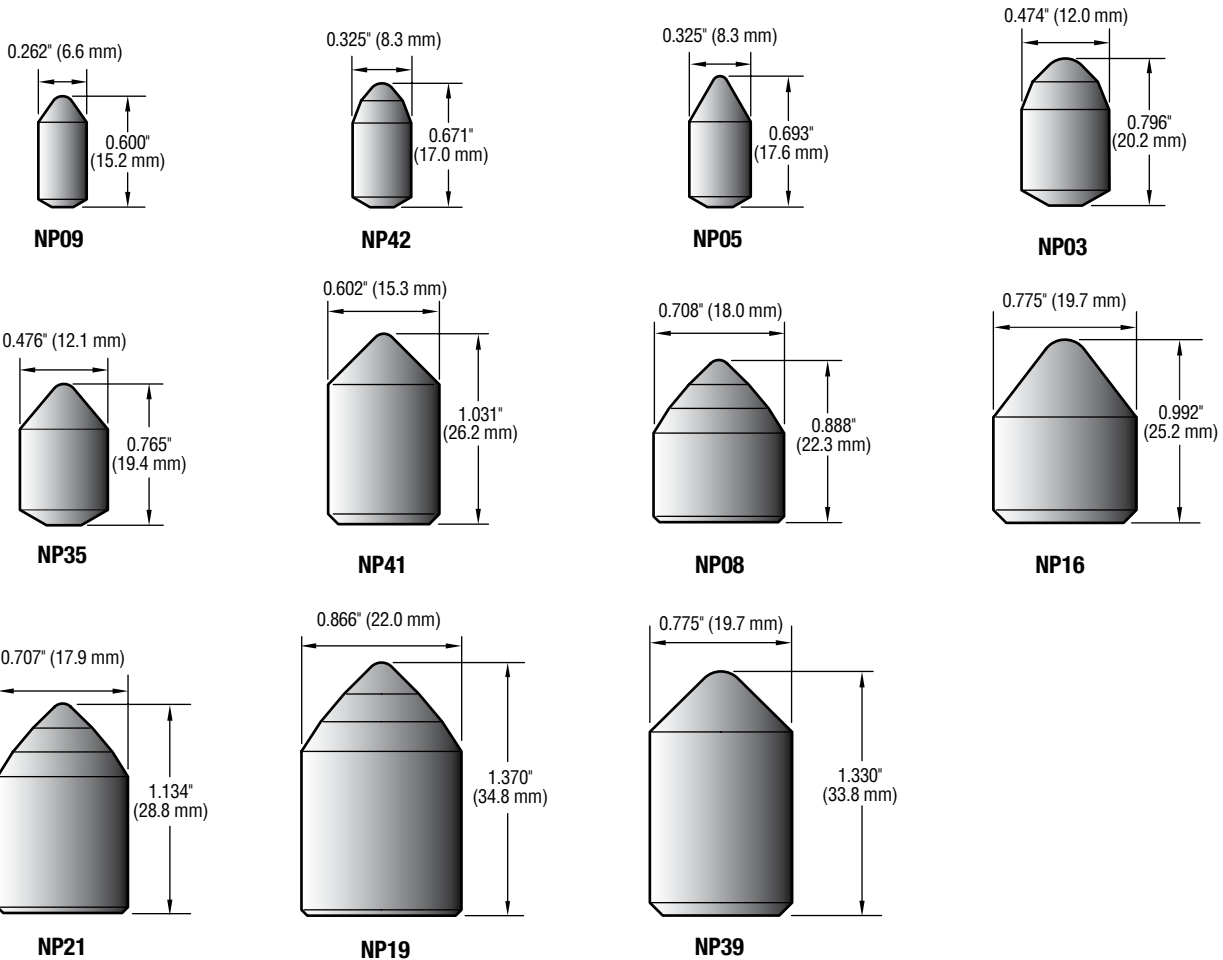
Soft Rock Grade
(magnified)

CARBIDE TIPS



INSERT CARBIDE TIPS

Insert carbide tips are best suited for penetration applications where steel wash is not an issue. These tips are ideal for use in hard, high-impact conditions.



TRISPEC™ (TIP – RING COMBINATION)

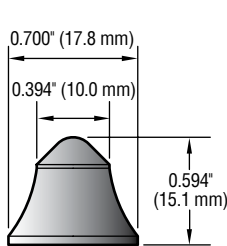
TriSpec™ tools consist of an insert or cap carbide with a carbide ring (*highlighted*) strategically placed slightly below the tip. The TriSpec ring prevents body wear, maximizing carbide tip use. TriSpec tools are best suited for use in high body-wash conditions.

CARBIDE TIPS

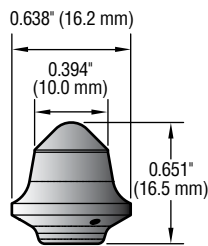


CAP CARBIDE TIPS

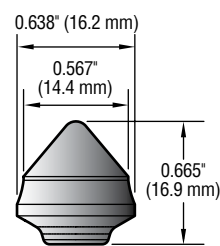
Cap carbide tips have a valve-seat braze joint for increased strength and shear resistance. The tips provide excellent penetration, and the large carbide shoulder gives excellent protection against steel wash. These tips are best suited for use in soft to medium-hard materials or conditions.



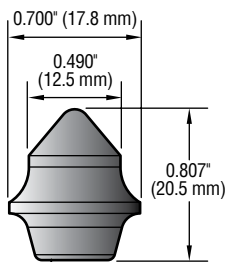
NP38



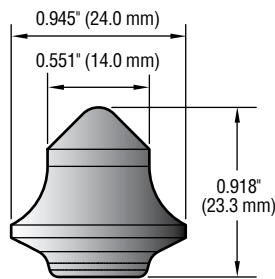
NP24



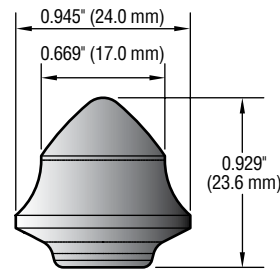
NP01



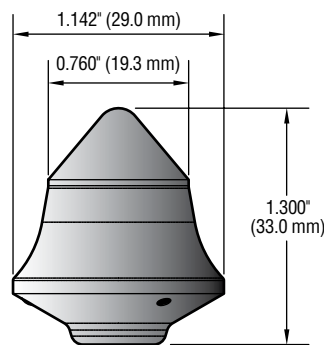
**NP83
DEEP VALVE SEAT**



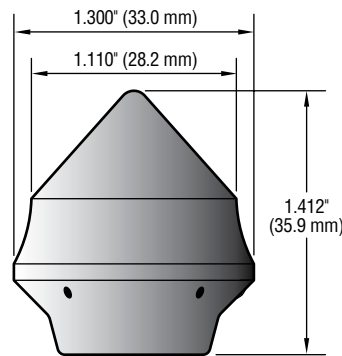
NP22



NP23



NP56



NP20

CONICAL TOOLS

Sandvik conical tools are available in shank diameter sizes from 14 mm to 38 mm for use on trenching and terrain-leveling equipment.

These tools are manufactured in production facilities in the United States, South Africa, India and Australia, according to the highest quality standards.



H1MA

SHIPPING INFORMATION		
Pieces Per Box	Boxes Per Pallet	Pieces Per Pallet
100	45	4500

EU SHIPPING INFORMATION		
Pieces Per Box	Boxes Per Pallet	Pieces Per Pallet
100	63	6300

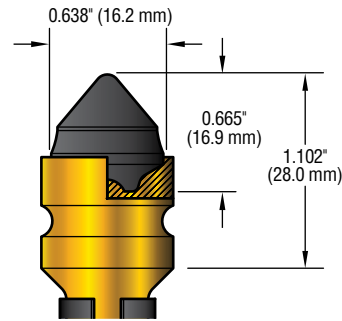
T14



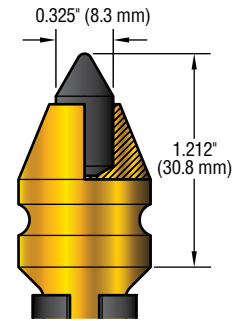
FEATURES:

- Narrow body for efficient penetration
- Design evenly distributes impact loads through tool shoulder
- Puller groove for easy tool removal
- K97 internal retainer

H1MA-1428-0169



H1MA-1430-0562



K1LA

SHIPPING INFORMATION		
Pieces Per Box	Boxes Per Pallet	Pieces Per Pallet
100	45	4500

EU SHIPPING INFORMATION		
Pieces Per Box	Boxes Per Pallet	Pieces Per Pallet
100	63	6300

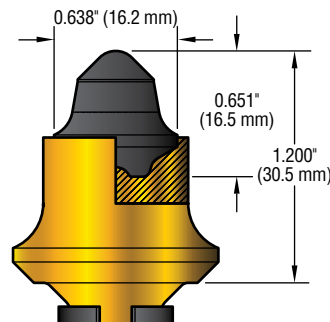
T14



FEATURES:

- Standard body
- Wide-flare shoulder provides maximum block and sleeve protection
- K97 internal retainer

K1LA-1430-2466



H2MA

SHIPPING INFORMATION		
Pieces Per Box	Boxes Per Pallet	Pieces Per Pallet
65	45	2925

EU SHIPPING INFORMATION		
Pieces Per Box	Boxes Per Pallet	Pieces Per Pallet
65	63	4095

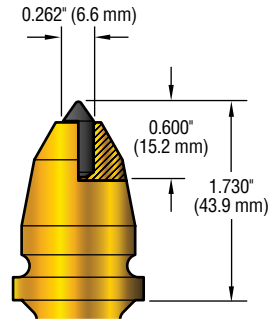
T18



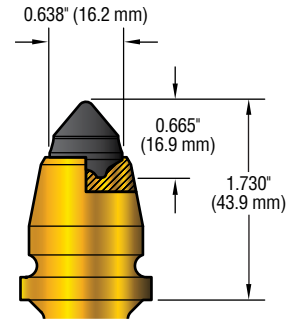
FEATURES:

- Standard body design
- Design evenly distributes impact loads through tool shoulder
- Puller groove for easy tool removal
- K55 internal retainer

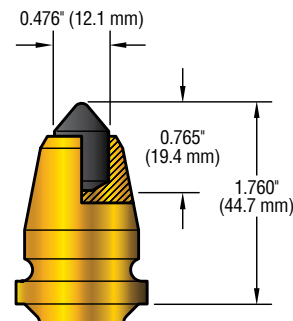
H2MA-1844-0962



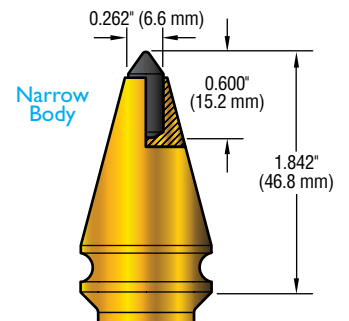
H2MA-1846-0169



H2MA-1844-3562



H2MA-1849-0962



K2LA

SHIPPING INFORMATION		
Pieces Per Box	Boxes Per Pallet	Pieces Per Pallet
50	45	2250

EU SHIPPING INFORMATION		
Pieces Per Box	Boxes Per Pallet	Pieces Per Pallet
50	63	3150

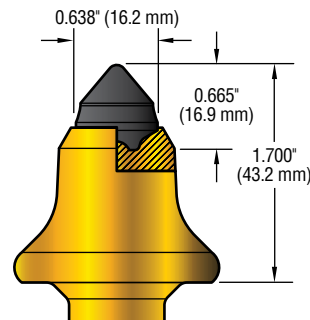
T18



FEATURES:

- Standard body design
- Wide-flare shoulder provides maximum block and sleeve protection
- K55 internal retainer

K2LA-1845-0169



H3LA

SHIPPING INFORMATION		
Pieces Per Box	Boxes Per Pallet	Pieces Per Pallet
60	45	2700

EU SHIPPING INFORMATION		
Pieces Per Box	Boxes Per Pallet	Pieces Per Pallet
60	45	2700

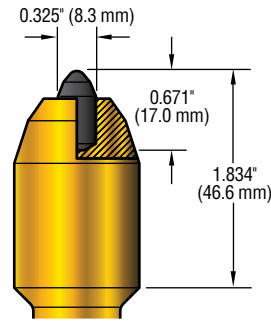
T18



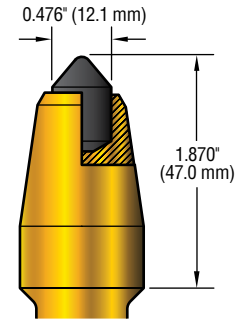
FEATURES:

- Heavy-duty body
- Narrow shoulder distributes impact loads evenly
- K91 external retainer

H3LA-1847-4262



H3LA-1847-3562



K3LA

SHIPPING INFORMATION		
Pieces Per Box	Boxes Per Pallet	Pieces Per Pallet
50	45	2250

EU SHIPPING INFORMATION		
Pieces Per Box	Boxes Per Pallet	Pieces Per Pallet
50	63	3150

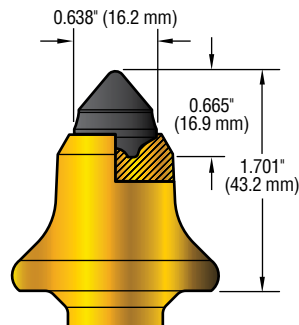
T18



FEATURES:

- Standard body design
- Wide-flare shoulder provides maximum block and sleeve protection
- K91 external retainer

K3LA-1843-0169



H1MA

SHIPPING INFORMATION		
Pieces Per Box	Boxes Per Pallet	Pieces Per Pallet
60	45	2700

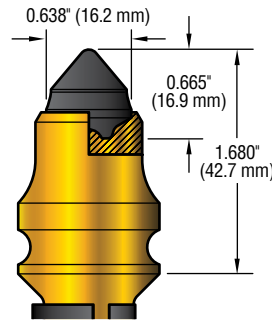
EU SHIPPING INFORMATION		
Pieces Per Box	Boxes Per Pallet	Pieces Per Pallet
60	63	3780

T19



- FEATURES:**
- Standard body design
 - Design evenly distributes impact loads through tool shoulder
 - Puller groove for easy tool removal
 - K84 internal retainer

H1MA-1944-0169



H2MA

SHIPPING INFORMATION		
Pieces Per Box	Boxes Per Pallet	Pieces Per Pallet
65	45	2925

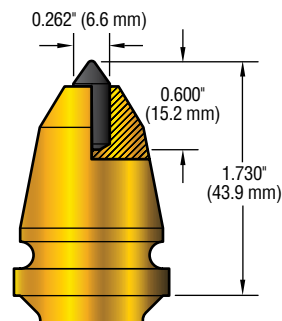
EU SHIPPING INFORMATION		
Pieces Per Box	Boxes Per Pallet	Pieces Per Pallet
65	63	4095

T19

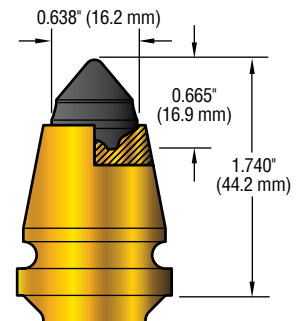


- FEATURES:**
- Standard body design
 - Design evenly distributes impact loads through tool shoulder
 - Puller groove for easy tool removal
 - K21 internal retainer

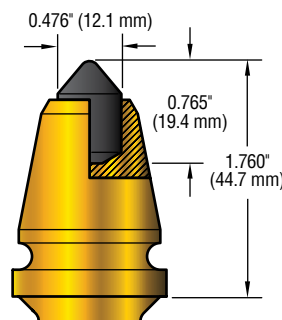
H2MA-1944-0962



H2MA-1946-0169



H2MA-1944-3562



K2HA

SHIPPING INFORMATION		
Pieces Per Box	Boxes Per Pallet	Pieces Per Pallet
65	45	2925

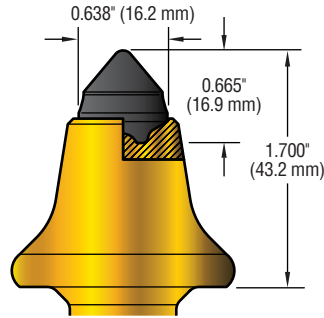
EU SHIPPING INFORMATION		
Pieces Per Box	Boxes Per Pallet	Pieces Per Pallet
65	63	4095

T19



- FEATURES:**
- Standard body design
 - Wide-flare shoulder provides maximum block and sleeve protection
 - K21 internal retainer

K2HA-1945-0169



K3LA

SHIPPING INFORMATION		
Pieces Per Box	Boxes Per Pallet	Pieces Per Pallet
50	45	2250

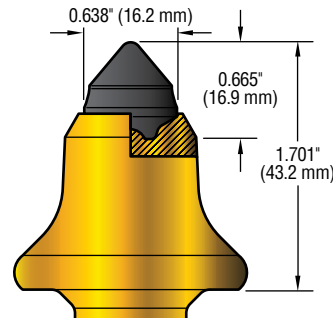
EU SHIPPING INFORMATION		
Pieces Per Box	Boxes Per Pallet	Pieces Per Pallet
50	63	3150

T19



- FEATURES:**
- Heavy-duty body
 - Wide-flare shoulder provides maximum block and sleeve protection
 - K91 external retainer

K3LA-1943-0169



H6MA

SHIPPING INFORMATION		
Pieces Per Box	Boxes Per Pallet	Pieces Per Pallet
60	45	2700

EU SHIPPING INFORMATION		
Pieces Per Box	Boxes Per Pallet	Pieces Per Pallet
60	63	3780

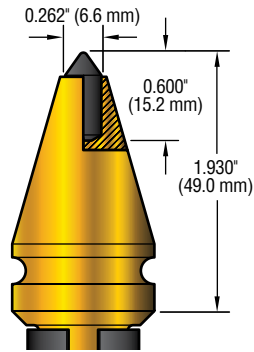
T19



FEATURES:

- Standard body design
- Design evenly distributes impact loads through tool shoulder
- Puller groove for easy tool removal
- Full sleeve retainer maintains maximum block bore protection
- K74 internal retainer

H6MA-1949-0962



H8LC

SHIPPING INFORMATION		
Pieces Per Box	Boxes Per Pallet	Pieces Per Pallet
40	45	1800

EU SHIPPING INFORMATION		
Pieces Per Box	Boxes Per Pallet	Pieces Per Pallet
40	63	2520

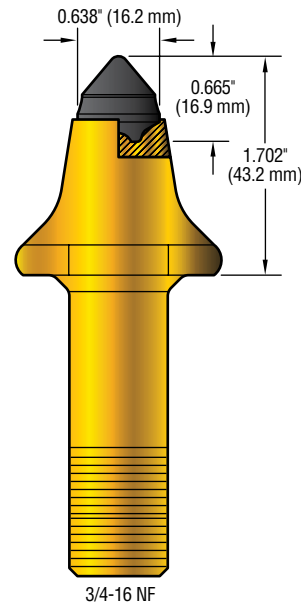
T19



FEATURES:

- Standard body
- Wide-flare shoulder provides maximum block and sleeve protection
- Non-rotating
- Self-locking nut ensures maximum retention

H8LC-1943-0169



K1LA

SHIPPING INFORMATION		
Pieces Per Box	Boxes Per Pallet	Pieces Per Pallet
50	45	2250

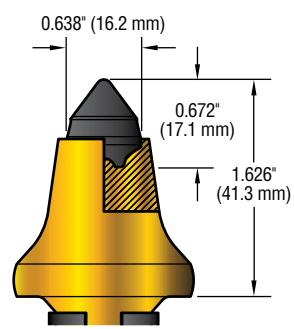
EU SHIPPING INFORMATION		
Pieces Per Box	Boxes Per Pallet	Pieces Per Pallet
50	63	3150

T22

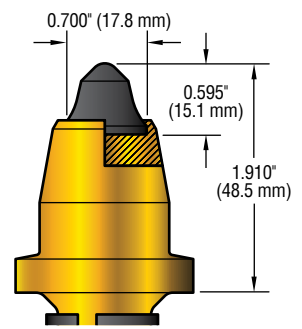


- FEATURES:**
- Standard body design
 - Wide-flare shoulder provides maximum block and sleeve protection
 - K85 internal retainer

K1LA-2246-0169



K1LA-2249-3866



K1MA

SHIPPING INFORMATION		
Pieces Per Box	Boxes Per Pallet	Pieces Per Pallet
50	45	2250

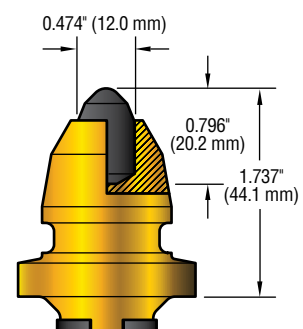
EU SHIPPING INFORMATION		
Pieces Per Box	Boxes Per Pallet	Pieces Per Pallet
50	63	3150

T22

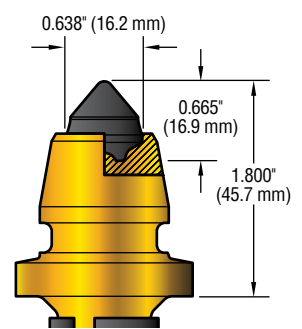


- FEATURES:**
- Heavy-duty body
 - Wide-flare shoulder provides maximum block and sleeve protection
 - Puller groove for easy tool removal
 - K85 internal retainer

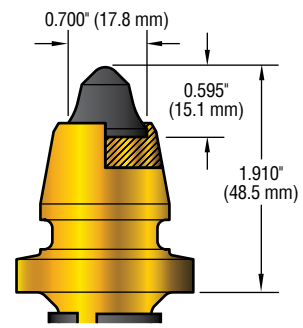
K1MA-2244-0362



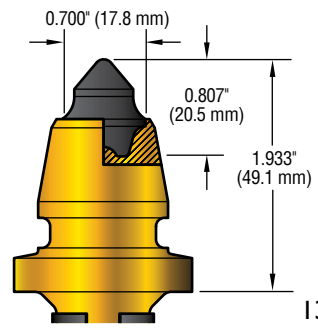
K1MA-2245-0169



K1MA-2249-3866



K1MA-2249-8362



P3PD

SHIPPING INFORMATION		
Pieces Per Box	Boxes Per Pallet	Pieces Per Pallet
12	45	540

EU SHIPPING INFORMATION		
Pieces Per Box	Boxes Per Pallet	Pieces Per Pallet
12	63	756

T25

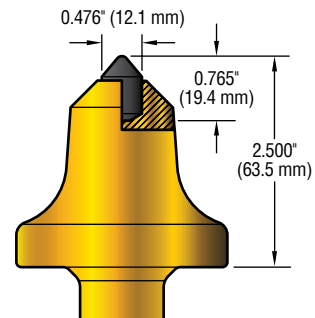
25 mm Tools



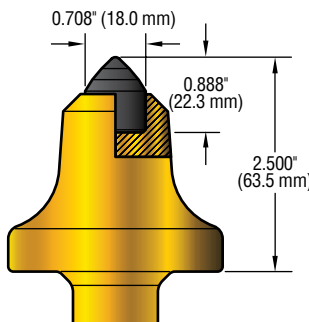
FEATURES:

- Standard body design
- Wide-flare shoulder provides maximum block and sleeve protection
- Design evenly distributes impact loads through tool shoulder
- K01 external retainer

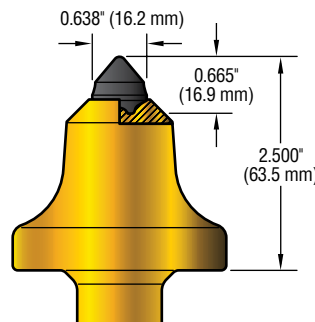
P3PD-2563-3562



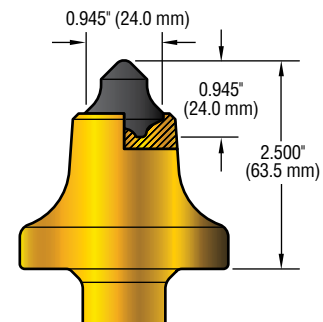
P3PD-2563-0862



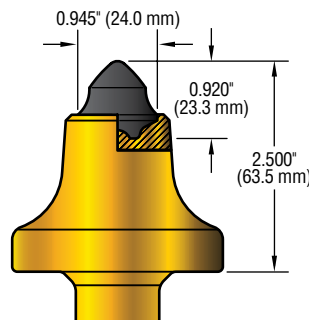
P3PD-2563-0169



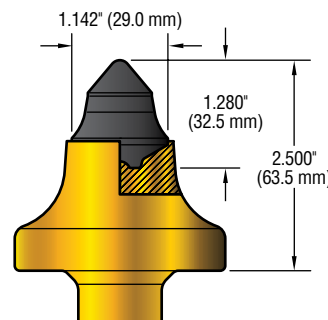
P3PD-2563-2262



P3PD-2563-2362



P3PD-2563-5662



Q3PD

SHIPPING INFORMATION		
Pieces Per Box	Boxes Per Pallet	Pieces Per Pallet
12	45	540

EU SHIPPING INFORMATION		
Pieces Per Box	Boxes Per Pallet	Pieces Per Pallet
12	63	756

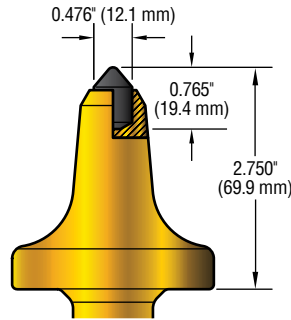
T25



FEATURES:

- Narrow body for efficient penetration
- Wide-flare shoulder provides maximum block and sleeve protection
- Design evenly distributes impact loads through tool shoulder
- K01 external retainer

Q3PD-2570-3562



P9QA

SHIPPING INFORMATION		
Pieces Per Box	Boxes Per Pallet	Pieces Per Pallet
35	45	1575

EU SHIPPING INFORMATION		
Pieces Per Box	Boxes Per Pallet	Pieces Per Pallet
35	63	2205

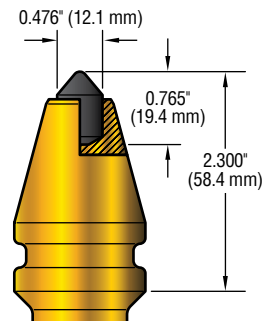
T25



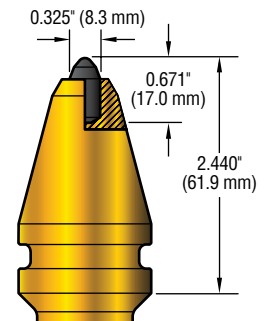
FEATURES:

- Narrow body for efficient penetration
- Puller groove for easy tool removal
- Design evenly distributes impact loads through tool shoulder
- K66 internal retainer

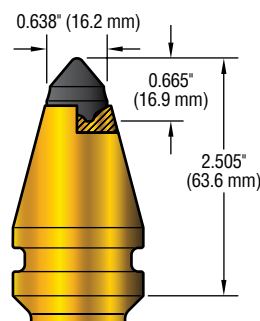
P9QA-2560-3562



P9QA-2561-4262



P9QA-2563-0169



Q3DD

SHIPPING INFORMATION		
Pieces Per Box	Boxes Per Pallet	Pieces Per Pallet
10	45	450

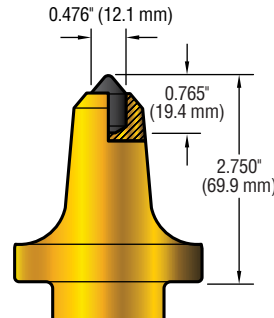
EU SHIPPING INFORMATION		
Pieces Per Box	Boxes Per Pallet	Pieces Per Pallet
10	63	630

T38 x 30

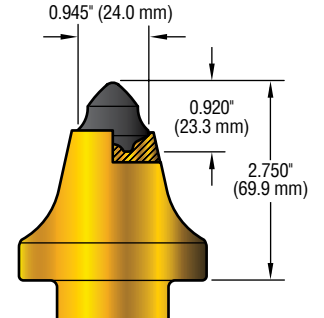


- FEATURES:**
- Standard body design
 - Wide-flare shoulder provides maximum block and sleeve protection
 - Step shank design for improved strength
 - K25 external retainer

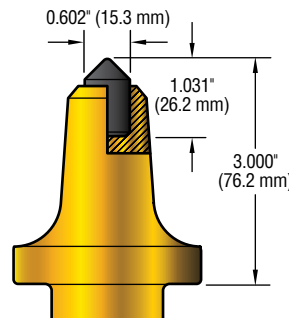
Q3DD-3870-3562



Q3DD-3870-2362



Q3DD-3876-4162



38 x 30 mm Tools

P3DD

SHIPPING INFORMATION		
Pieces Per Box	Boxes Per Pallet	Pieces Per Pallet
10	45	450

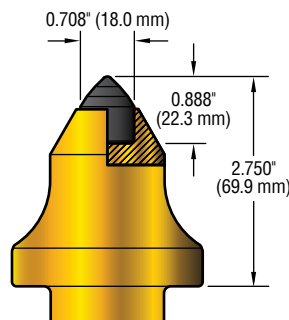
EU SHIPPING INFORMATION		
Pieces Per Box	Boxes Per Pallet	Pieces Per Pallet
10	63	630

T38 x 30

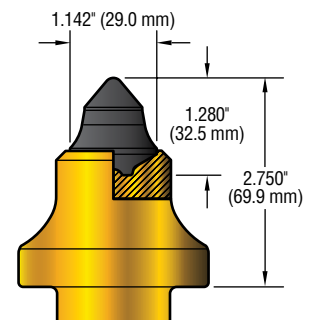


- FEATURES:**
- Standard body design
 - Wide-flare shoulder provides maximum block and sleeve protection
 - Step shank design for improved strength
 - K25 external retainer

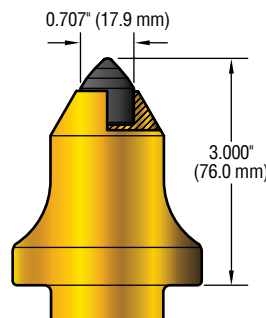
P3DD-3870-0862



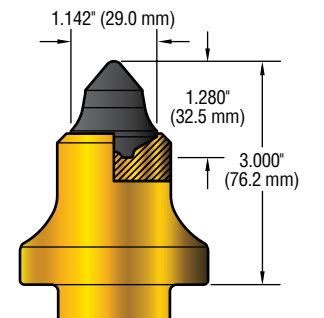
P3DD-3870-5662



P3DD-3876-0862



P3DD-3876-5662

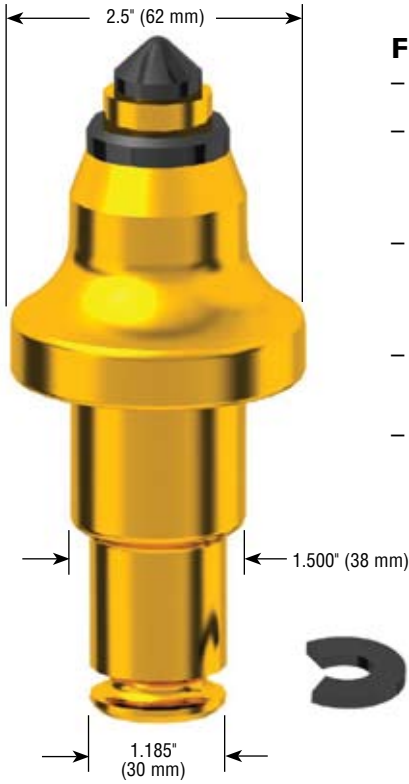


T3DD

SHIPPING INFORMATION		
Pieces Per Box	Boxes Per Pallet	Pieces Per Pallet
10	45	450

EU SHIPPING INFORMATION		
Pieces Per Box	Boxes Per Pallet	Pieces Per Pallet
10	63	630

T38 x 30

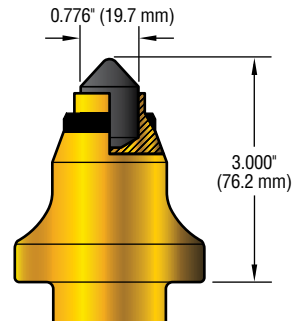


FEATURES:

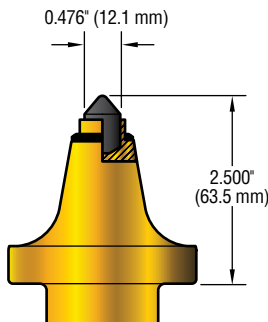
- Unique Trispec body design
- Strategically placed carbide ring prevents body wear, maximizing carbide tip use
- Wide-flare shoulder provides maximum block and sleeve protection
- Step shank design for improved strength
- K25 external retainer



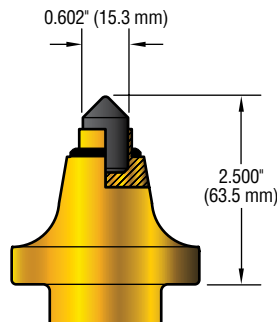
T3DD-3876-3962



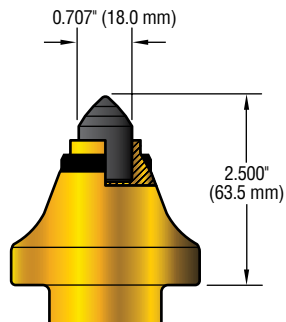
T3DD-3863-3562



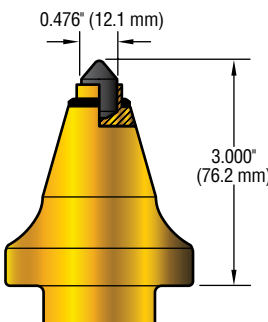
T3DD-3863-4162



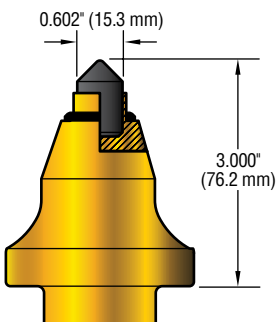
T3DD-3863-2162



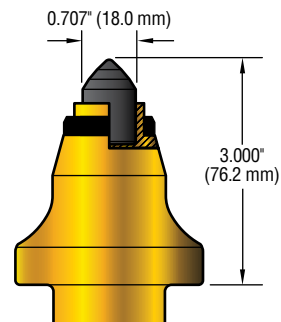
T3DD-3876-3562



T3DD-3876-4162



T3DD-3876-2162



38 x 30 mm Tools

P3DS

SHIPPING INFORMATION		
Pieces Per Box	Boxes Per Pallet	Pieces Per Pallet
10	45	450

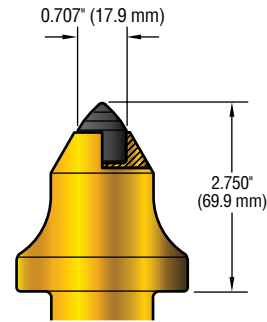
EU SHIPPING INFORMATION		
Pieces Per Box	Boxes Per Pallet	Pieces Per Pallet
10	63	630

T38 x 30

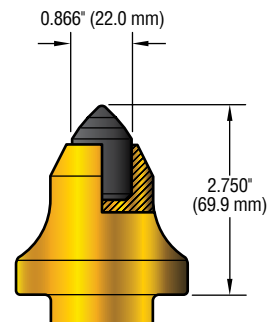


- FEATURES:**
- Standard body design
 - Wide-flare shoulder provides maximum block and sleeve protection
 - Step shank design for improved strength
 - K86 external retainer

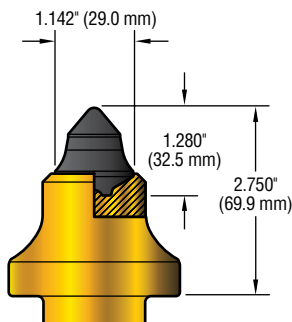
P3DS-3870-0862



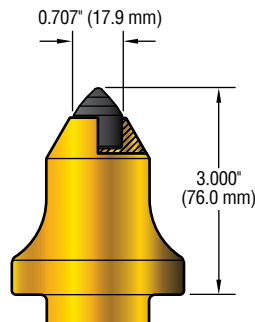
P3DS-3870-1962



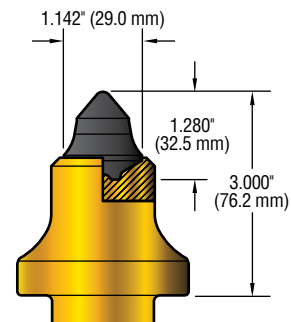
P3DS-3870-5662



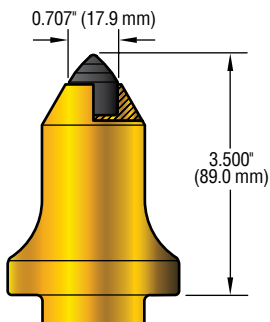
P3DS-3876-0862



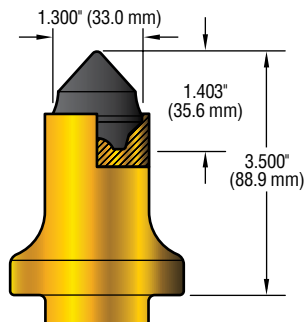
P3DS-3876-5662



P3DS-3889-0862



P3DS-3889-2062



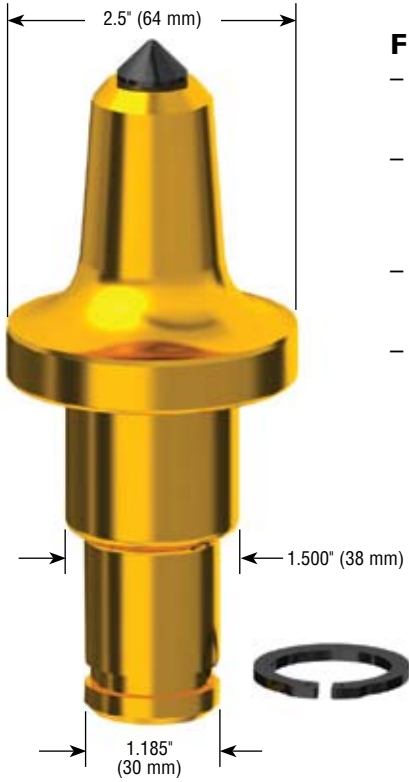
38 x 30 mm Tools

Q3DS

SHIPPING INFORMATION		
Pieces Per Box	Boxes Per Pallet	Pieces Per Pallet
10	45	450

EU SHIPPING INFORMATION		
Pieces Per Box	Boxes Per Pallet	Pieces Per Pallet
10	63	630

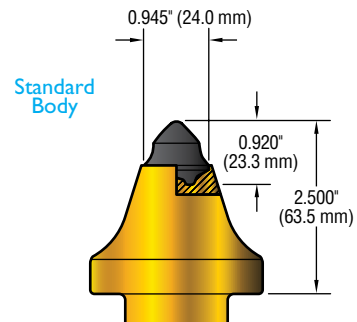
T38 x 30



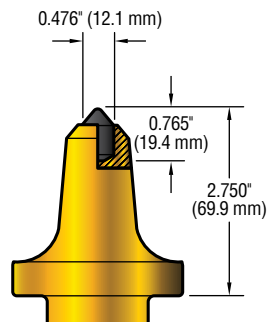
FEATURES:

- Narrow body for efficient penetration
- Wide-flare shoulder provides maximum block and sleeve protection
- Step shank design for improved strength
- K86 external retainer

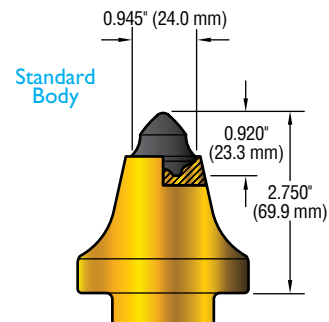
Q3DS-3863-2362



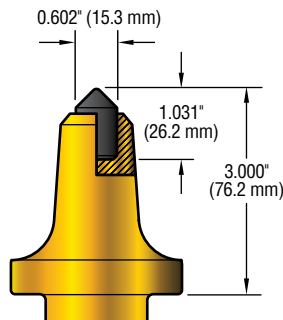
Q3DS-3870-3562



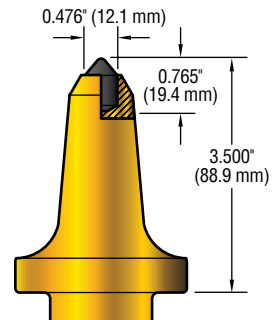
Q3DS-3870-2362



Q3DS-3876-4162



Q3DS-3888-3562



38 x 30 mm Tools

T3DS

SHIPPING INFORMATION		
Pieces Per Box	Boxes Per Pallet	Pieces Per Pallet
10	45	450

EU SHIPPING INFORMATION		
Pieces Per Box	Boxes Per Pallet	Pieces Per Pallet
10	63	630

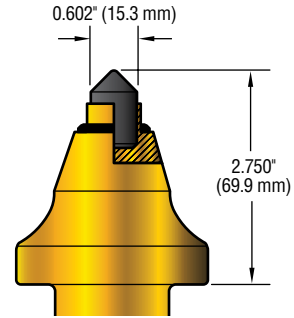
T38 x 30



FEATURES:

- Unique Trispec body design
- Strategically placed carbide ring prevents body wear, maximizing carbide tip use
- Wide-flare shoulder provides maximum block and sleeve protection
- Step shank design for improved strength
- K86 external retainer

T3DS-3870-4162



38 x 30 mm Tools

P3DX

SHIPPING INFORMATION		
Pieces Per Box	Boxes Per Pallet	Pieces Per Pallet
10	45	450

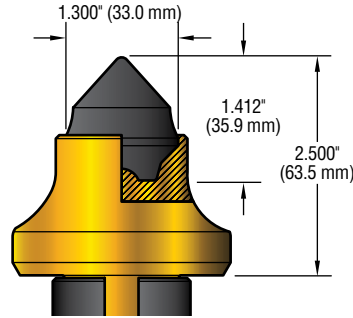
EU SHIPPING INFORMATION		
Pieces Per Box	Boxes Per Pallet	Pieces Per Pallet
10	63	630

T38 x 30



- FEATURES:**
- Standard body design
 - Wide-flare shoulder provides maximum block and sleeve protection
 - Step shank design for improved strength
 - SB47SLV internal retainer

P3DX-3870-2062



P0DS

SHIPPING INFORMATION		
Pieces Per Box	Boxes Per Pallet	Pieces Per Pallet
15	45	675

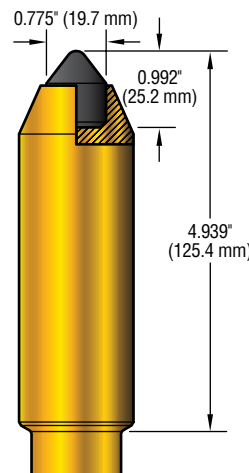
EU SHIPPING INFORMATION		
Pieces Per Box	Boxes Per Pallet	Pieces Per Pallet
15	63	945

T38 x 30



- FEATURES:**
- Heavy-duty body
 - Narrow shoulder distributes impact loads evenly
 - K86 external retainer

P0DS-3888-1661



BLOCKS

Sandvik produces a wide variety of tooling systems for trenching and terrain-leveling equipment. Our blocks and sleeves are engineered utilizing customer input, decades of experience and optimum design techniques. Sandvik manufactures blocks using high-strength alloy steels, heat-treated and induction-hardened in critical wear areas, to maximize performance.

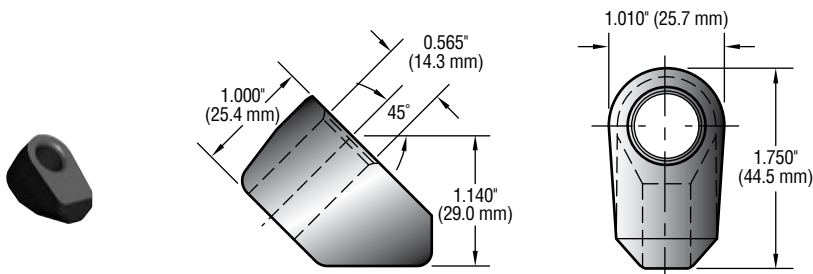
When properly positioned, these blocks provide a free-rotating, self-sharpening action for the tool. The tapered edges around the base of the block allow for stronger welding.



BLOCKS

T14

Sandvik has durable, yet serviceable blocks for specific applications and for particular tools.



SHIPPING INFORMATION		
Pieces Per Box	Boxes Per Pallet	Pieces Per Pallet
50	45	2250

EU SHIPPING INFORMATION		
Pieces Per Box	Boxes Per Pallet	Pieces Per Pallet
50	63	3150

B3BA-1429-4500

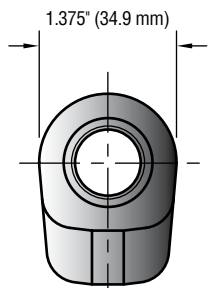
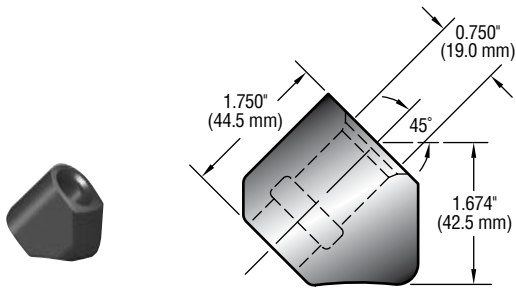
A standard block



BLOCKS

T18

Sandvik has durable, yet serviceable blocks for specific applications and for particular tools.

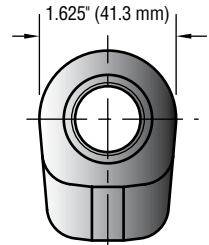
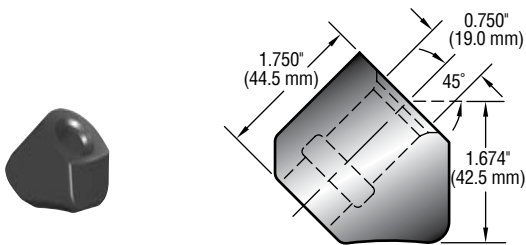


SHIPPING INFORMATION		
Pieces Per Box	Boxes Per Pallet	Pieces Per Pallet
35	45	1575

EU SHIPPING INFORMATION		
Pieces Per Box	Boxes Per Pallet	Pieces Per Pallet
35	63	2205

B3AA-1843-4500

A standard block

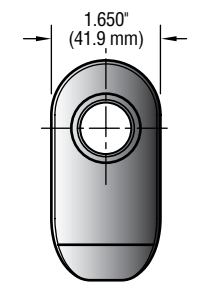
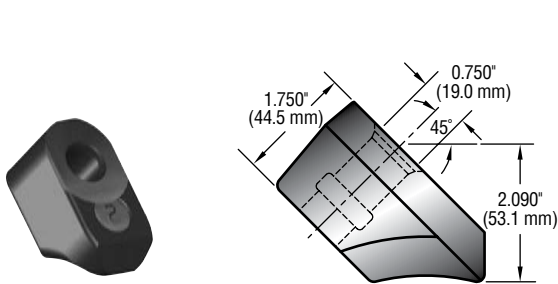


SHIPPING INFORMATION		
Pieces Per Box	Boxes Per Pallet	Pieces Per Pallet
35	45	1575

EU SHIPPING INFORMATION		
Pieces Per Box	Boxes Per Pallet	Pieces Per Pallet
35	63	2205

B3AH-1843-4500

A heavy-duty block



SHIPPING INFORMATION		
Pieces Per Box	Boxes Per Pallet	Pieces Per Pallet
35	45	1575

EU SHIPPING INFORMATION		
Pieces Per Box	Boxes Per Pallet	Pieces Per Pallet
35	63	2205

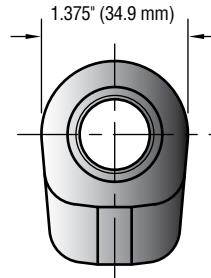
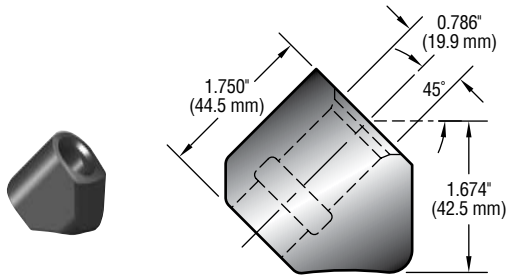
B3AJ-1853-4500

Block is .393 inches (10 mm) taller than standard

BLOCKS

T19

Sandvik has durable, yet serviceable blocks for specific applications and for particular tools.

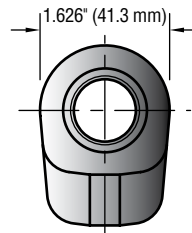
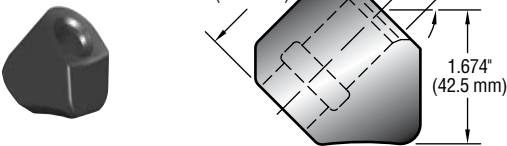


SHIPPING INFORMATION		
Pieces Per Box	Boxes Per Pallet	Pieces Per Pallet
35	45	1575

EU SHIPPING INFORMATION		
Pieces Per Box	Boxes Per Pallet	Pieces Per Pallet
35	63	2205

B3AA-1943-4500

A standard block

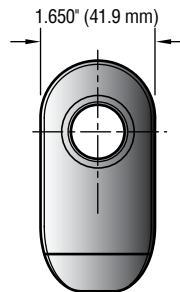
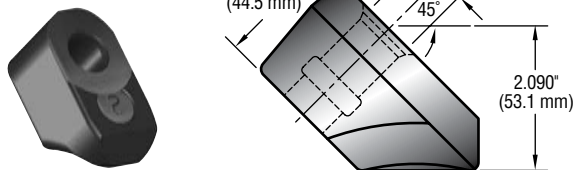


SHIPPING INFORMATION		
Pieces Per Box	Boxes Per Pallet	Pieces Per Pallet
35	45	1575

EU SHIPPING INFORMATION		
Pieces Per Box	Boxes Per Pallet	Pieces Per Pallet
35	63	2205

B3AH-1943-4500

A heavy-duty block



SHIPPING INFORMATION		
Pieces Per Box	Boxes Per Pallet	Pieces Per Pallet
35	45	1575

EU SHIPPING INFORMATION		
Pieces Per Box	Boxes Per Pallet	Pieces Per Pallet
35	63	2205

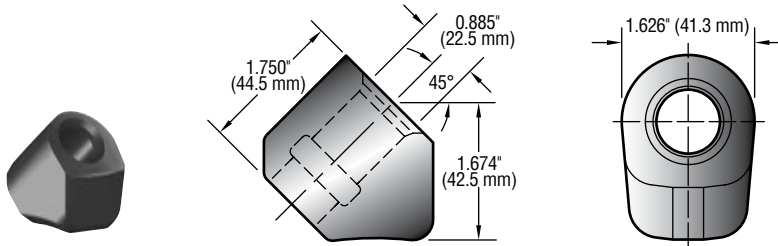
B3AJ-1953-4500

Block is .393 inches (10 mm) taller than standard

BLOCKS

T22

Sandvik has durable, yet serviceable blocks for specific applications and for particular tools.

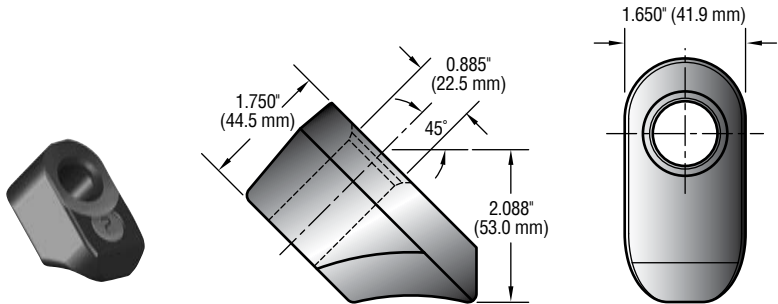


SHIPPING INFORMATION		
Pieces Per Box	Boxes Per Pallet	Pieces Per Pallet
35	45	1575

EU SHIPPING INFORMATION		
Pieces Per Box	Boxes Per Pallet	Pieces Per Pallet
35	63	2205

B3AH-2243-4500

A heavy-duty block



SHIPPING INFORMATION		
Pieces Per Box	Boxes Per Pallet	Pieces Per Pallet
35	45	1575

EU SHIPPING INFORMATION		
Pieces Per Box	Boxes Per Pallet	Pieces Per Pallet
35	63	2205

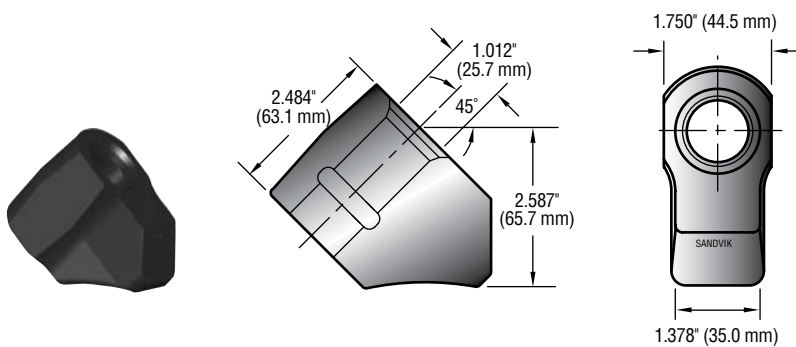
B3BJ-2253-4500

Block is .393 inches (10 mm) taller than standard

BLOCKS

T25

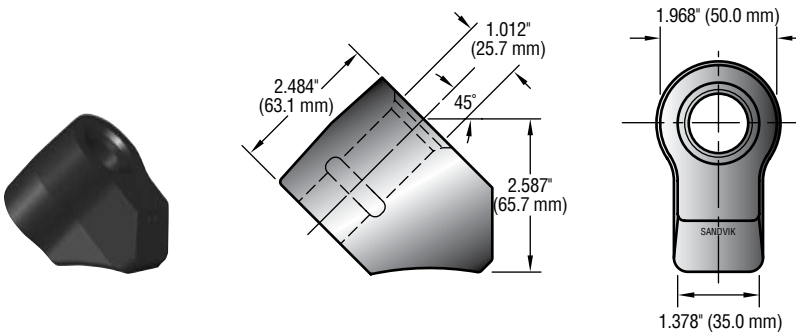
Sandvik has durable, yet serviceable blocks for specific applications and for particular tools.



SHIPPING INFORMATION		
Pieces Per Box	Boxes Per Pallet	Pieces Per Pallet
15	45	675

EU SHIPPING INFORMATION		
Pieces Per Box	Boxes Per Pallet	Pieces Per Pallet
15	63	945

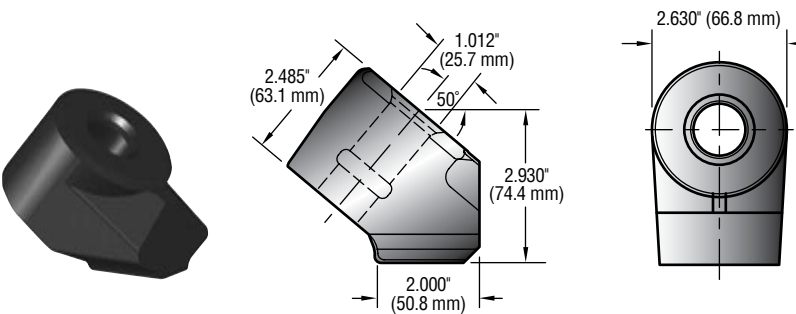
B3AX-2566-4500
A slim design holder



SHIPPING INFORMATION		
Pieces Per Box	Boxes Per Pallet	Pieces Per Pallet
12	45	540

EU SHIPPING INFORMATION		
Pieces Per Box	Boxes Per Pallet	Pieces Per Pallet
12	63	756

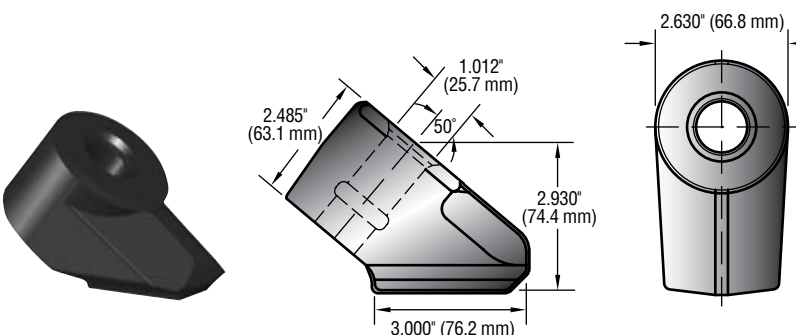
B3AG-2566-4500
A slim design holder



SHIPPING INFORMATION		
Pieces Per Box	Boxes Per Pallet	Pieces Per Pallet
8	45	360

EU SHIPPING INFORMATION		
Pieces Per Box	Boxes Per Pallet	Pieces Per Pallet
8	63	504

B3AI-2574-5000
A heavy-duty block with shorter base for compact positioning



SHIPPING INFORMATION		
Pieces Per Box	Boxes Per Pallet	Pieces Per Pallet
8	45	360

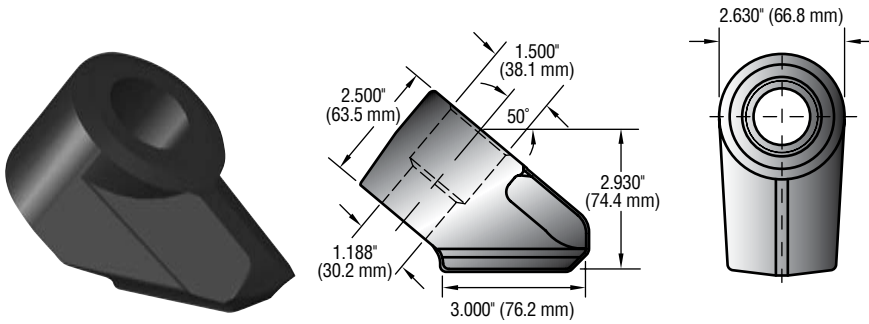
EU SHIPPING INFORMATION		
Pieces Per Box	Boxes Per Pallet	Pieces Per Pallet
8	63	504

B3AH-2574-5000
A heavy-duty block that features a “V” design, which provides greater surface-weld area

BLOCKS

T38 x 30

Sandvik has durable, yet serviceable blocks for specific applications and for particular tools.

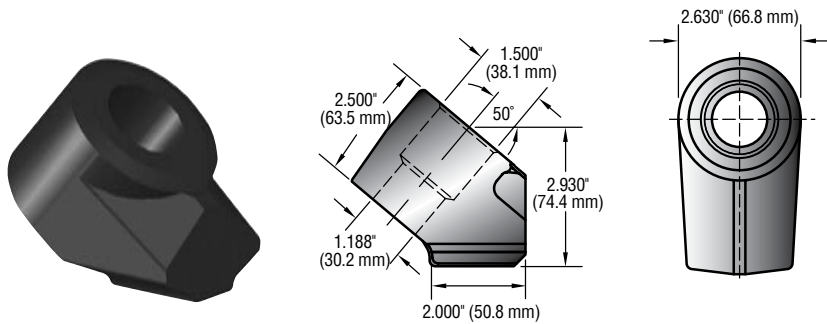


SHIPPING INFORMATION		
Pieces Per Box	Boxes Per Pallet	Pieces Per Pallet
8	45	360

EU SHIPPING INFORMATION		
Pieces Per Box	Boxes Per Pallet	Pieces Per Pallet
8	63	504

B3DH-3874-5000

A heavy-duty block that features a “V” design, which provides greater surface-weld area



SHIPPING INFORMATION		
Pieces Per Box	Boxes Per Pallet	Pieces Per Pallet
4	45	180

EU SHIPPING INFORMATION		
Pieces Per Box	Boxes Per Pallet	Pieces Per Pallet
4	63	252

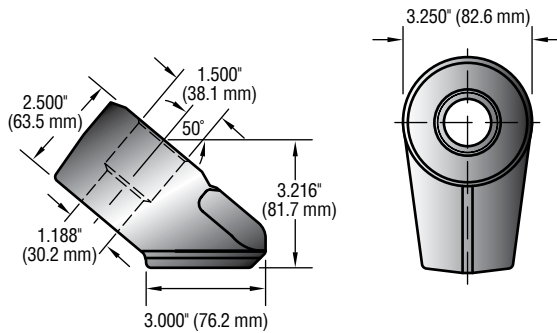
B3DI-3874-5000

A heavy-duty block with shorter base for compact positioning

BLOCKS

T38 x 30

Sandvik has durable, yet serviceable blocks for specific applications and for particular tools.

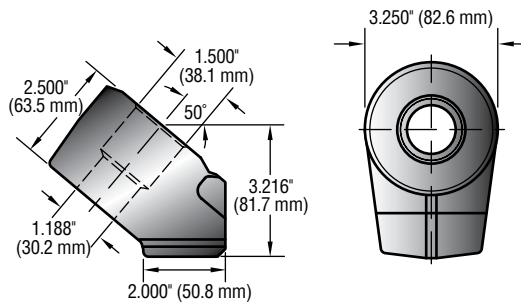


SHIPPING INFORMATION		
Pieces Per Box	Boxes Per Pallet	Pieces Per Pallet
4	45	180

EU SHIPPING INFORMATION		
Pieces Per Box	Boxes Per Pallet	Pieces Per Pallet
4	63	252

B3DH-3880-5000

A heavy-duty block that features a “V” design, which provides greater surface-weld area



SHIPPING INFORMATION		
Pieces Per Box	Boxes Per Pallet	Pieces Per Pallet
6	45	270

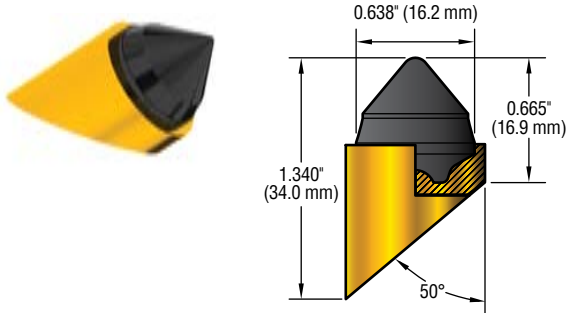
EU SHIPPING INFORMATION		
Pieces Per Box	Boxes Per Pallet	Pieces Per Pallet
6	63	378

B3DI-3880-5000

A heavy-duty block with shorter base for compact positioning

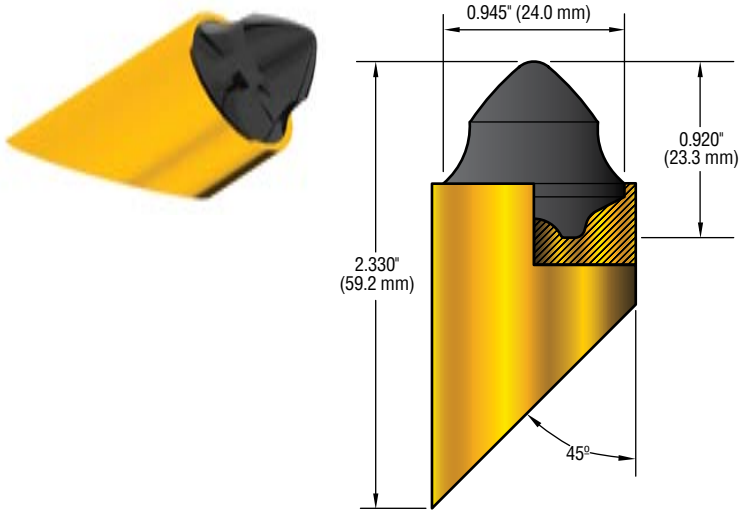
WELDED TOOLS

Sandvik produces welded tools for cutting relief and wear protection.



P0XX-1934-0169

Small carbide-capped tool designed at 50-degree angle for correct approach positioning. Primarily used on backreamers for cutting and wear protection. It is easily replaced by cutting off the worn tool and welding on a new one. This tool can be used in various other applications to reduce wear.



P0XX-2860-2366

Large carbide-capped tool designed at 45-degree angle for correct approach positioning. A low-energy cap that provides improved penetration, it is primarily used on backreamers for cutting and wear protection. The tool is easily replaced by cutting off the worn unit and welding on a new one. It can be used in various other applications to reduce wear.

ACCESSORIES

Sandvik provides punches, pullers, pliers and extractors to assist with tool and machine maintenance.



CURVED KNOCK-OUT PUNCH

Tool remover with carbide tip for extended life.

PART NUMBER

M8T-0004



PULLERS

For removal of tools with puller grooves. Use shank diameter to specify puller tool size required.

PART NUMBER TOOL SERIES

M8T-0003-19 18, 19, 22 mm Tools

M8T-0003-25QA 25 mm Tool



WEDGE PULLERS

For removal of tools without puller grooves.

PART NUMBER TOOL SERIES

M8T-0051 14 mm Tool

M8T-0014-110 38 mm Tool

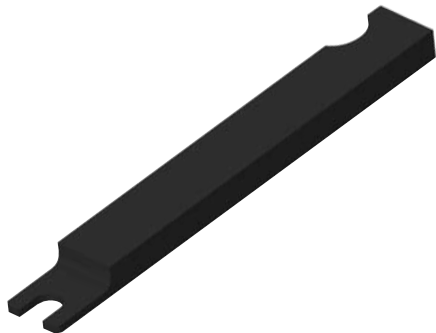
ACCESSORIES



RATCHET SNAP-RING PLIERS

For easy installation/removal of external snap ring. Features one button quick release.

PART NUMBER	TOOL SERIES
M8T-0059	(K86) 38 x 30 mm Tool
M8T-0060	Replaceable Tips



M8T EXTRACTORS

These extractors are used for installation and removal of external retainers from the tools.

PART NUMBER	TOOL SERIES
M8T-990EXT	(K01) 25 mm Tool
M8T-66EXT	(K25) 38 mm Tool

Partners in Action

Superior performance



Handles tough applications



Maximum productivity

