



RD535 HYDRAULIC ROCK DRILL

TECHNICAL SPECIFICATION

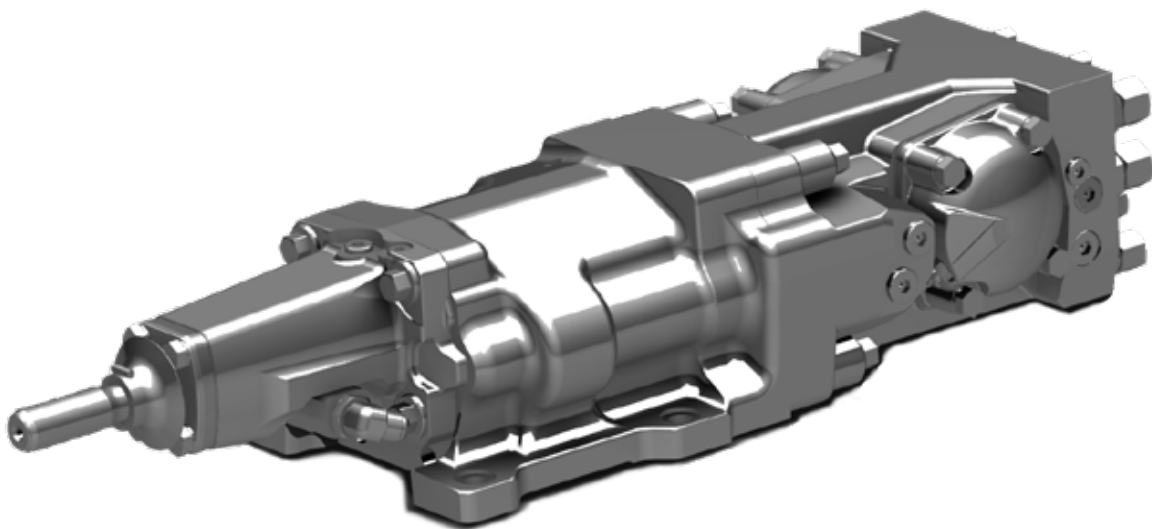
Sandvik RD535 hydraulic rock drill is designed for face drilling on Sandvik tunneling jumbos. It is also suitable for bolt hole, exploration and injection hole drilling.

Sandvik RD535 is a hydraulic percussive rock drill with independent reversible rotation and low profile height. It is known of its hydraulic efficiency and high penetration rate. Sandvik RD535 has excellent serviceability through modular construction and visual wear indicators.

Robustness is achieved by having only few pressurized seams between functional modules. The rock drill is equipped with stabilizer to control contact between drill bit and rock. The stabilizer also dampens recoil impulses from rock and lengthens the lifetime of drilling tools.

MAIN DIMENSIONS

Hole diameter drilling	48 - 64 mm
Hole diameter reaming	76 - 127 mm
Power class	31 kW
Percussion rate	107 Hz
Operating pressure Percussion	100 - 225 bar
Rotation motor type	OMS 125
Drill steels	R42 or R39 drifter rods, MF-rods highly recommended
Shanks	T35 (male) T38 (male) T45 (male)
Weight	230 kg



ROTATION MECHANISM

Motor type	OMS 125
Torque (at 175 bar)	625 Nm
Rotation speed	0 - 280 rpm
Flow (at max speed)	75 l/min

FLUSHING PRESSURE

Max. pressure (air / water)	20 bar
-----------------------------	--------

ACCUMULATORS

Accumulator gas	Nitrogen N2
High pressure (HP)	50 bar
Low pressure (LP)	4 bar
Stabilizer	30 bar
Filling valve	Vg8 DIN7756

SHANK LUBRICATION

Air flow	250 - 350 l/min
Pressure	4 - 7 bar
Oil consumption	200 - 350 g/h

OIL RECOMMENDATION

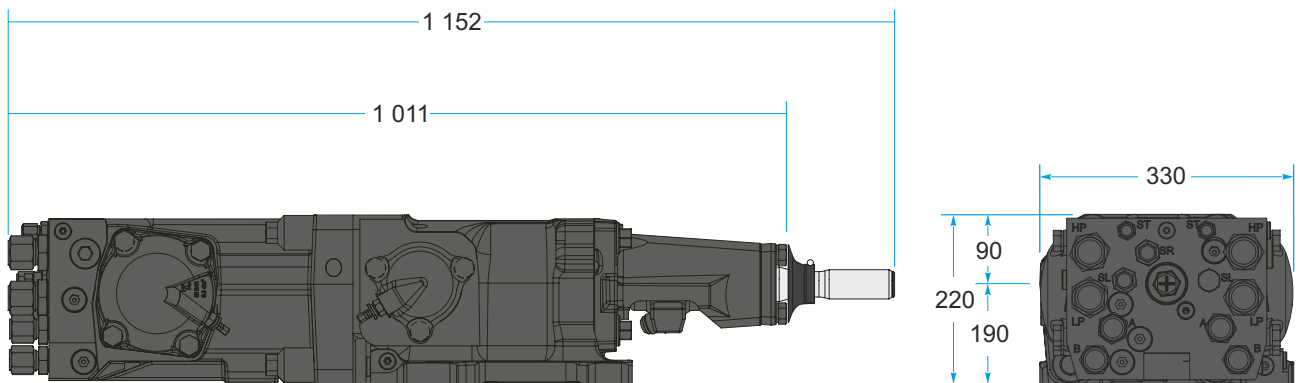
Oil operating temperature	+40°C up to +60°C
Oil recommendation	See Sandvik drill rigs lubricant recommendation for detailed information

OPTION

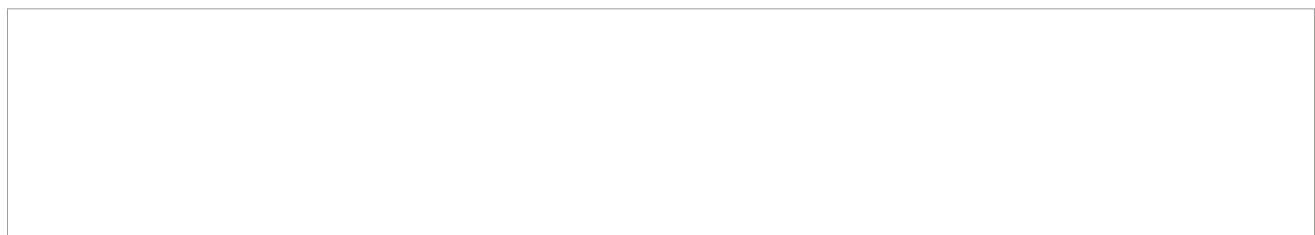
Special tools for RD535 Complete set	ID BG01240540
Power extractor	See separate specification

RECOMMENDED SHANKS AND DRILL STEELS

Rock tool	Application	Thread	Length	Shank bearing (mm)	Shank adapter, Sandvik-code
Shank adapter	UG	T35	525	45	7307-7669-01
	UG	T35	600	45	7307-7666-01
	UG	T38	525	45	7304-7669-01
	UG	T45	600	45	7305-7666-01
	UG (for PE)	T35	745	45	7307-7673-01
Drill steels	R42 or R39 drifter rods, MF-rods highly recommended				



All dimensions in mm



Sandvik Mining and Rock Technology reserves the right to make changes to the information on this data sheet without prior notification to users. Please contact a Sandvik representative for clarification on specifications and options.

ROCKTECHNOLOGY.SANDVIK

2. SANDVIK RD535 - HYDRAULIC ROCK DRILL