



# RD315 HYDRAULIC ROCK DRILL

## TECHNICAL SPECIFICATION

Sandvik RD315 high-frequency hydraulic rock drill is designed for bolting and face drilling rigs.

Sandvik RD315 can be used in electrically-controlled and hydraulically-controlled Sandvik drill rigs.

Sandvik RD315 is a compact, robust and universal hydraulic percussive rock drill. It is known for its hydraulic efficiency and high penetration rate.

Sandvik RD315 has excellent serviceability through modular construction and visual wear indicators. Service interval is 500 percussion hours.

### KEY FEATURES

|                                  |  |
|----------------------------------|--|
| Power class                      | 15 kW  |
| Percussion rate                  | 95 Hz  |
| Operating pressure<br>Percussion | 100 - 180 bar                                      |
| Rotation (max.)                  | 175 bar  |
| Rotation motor type              | 125 cc   |
| Shanks<br>Bolting                | R38 (male, no flushing)<br>T38 (male, no flushing) |
| Weight                           | 126 kg   |



### ROTATION MECHANISM

|                     |             |
|---------------------|-------------|
| Motor               | Orbit type  |
| Motor type          | 125 cc      |
| Torque (at 175 bar) | 420 Nm      |
| Rotation speed      | 0 - 430 rpm |
| Flow (at max speed) | 75 l/min    |

### ACCUMULATORS

|                    |             |
|--------------------|-------------|
| Accumulator gas    | Nitrogen N2 |
| High pressure (HP) | 40 bar      |
| Low pressure (LP)  | 4 bar       |
| Filling valve      | Vg8 DIN7756 |

### SHANK LUBRICATION

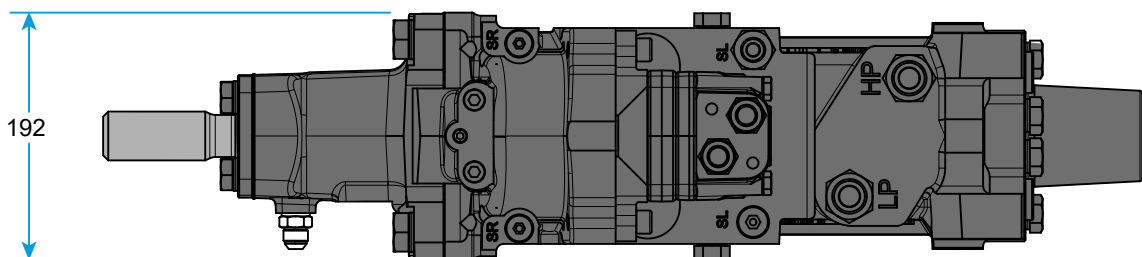
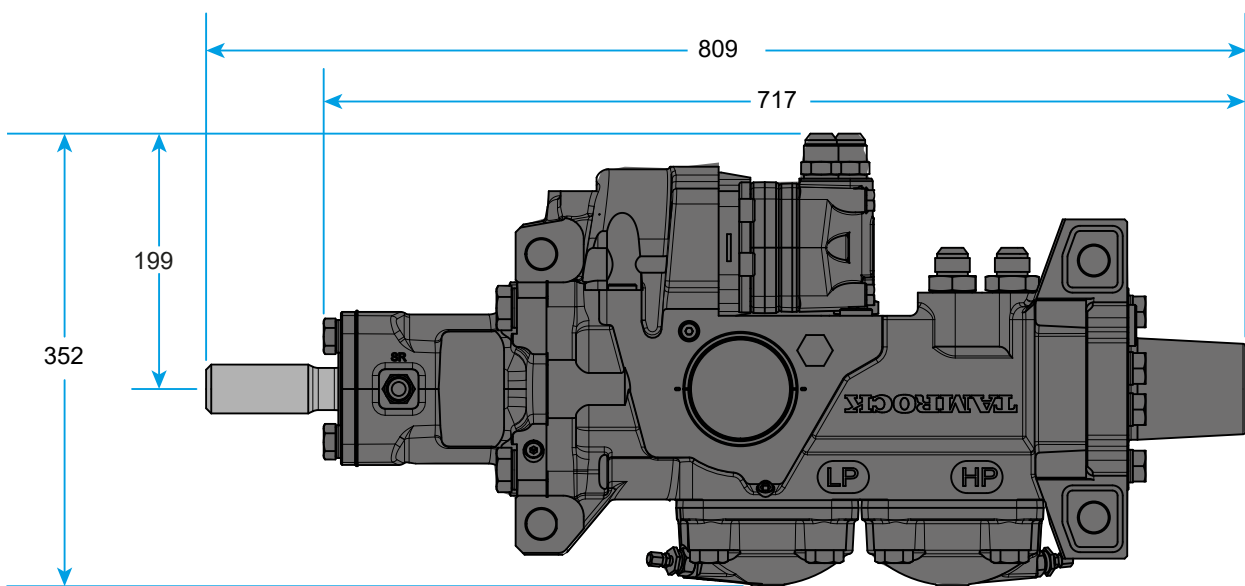
|                 |                  |
|-----------------|------------------|
| Air flow        | 150 - 250 NI/min |
| Pressure        | 4 - 5 bar        |
| Oil consumption | 100 - 200 g/h    |

### OIL RECOMMENDATION

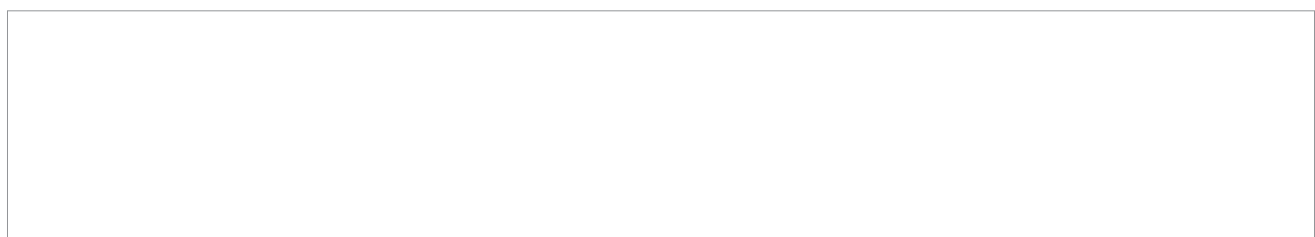
|                           |  |
|---------------------------|--|
| Oil operating temperature | +40°C up to +60°C  |
| Oil recommendation        | See Sandvik drill rigs lubricant recommendation for detailed information |

### OPTION

|   |                    |
|---|--------------------|
| Special tools for RD315 / Complete set    | Spec sheet TS2-118 |
| Special tools for RD315 / Field tools set | Spec sheet TS2-119 |



All dimensions in mm



Sandvik Mining and Rock Solutions reserves the right to make changes to the information on this data sheet without prior notification to users. Please contact a Sandvik representative for clarification on specifications and options.

ROCKTECHNOLOGY.SANDVIK

## 2. SANDVIK RD315 - HYDRAULIC ROCK DRILL