



# RD212 HYDRAULIC ROCK DRILL

## TECHNICAL SPECIFICATION

Sandvik RD212 high-frequency hydraulic rock drill is designed for bolting and face drilling rigs.

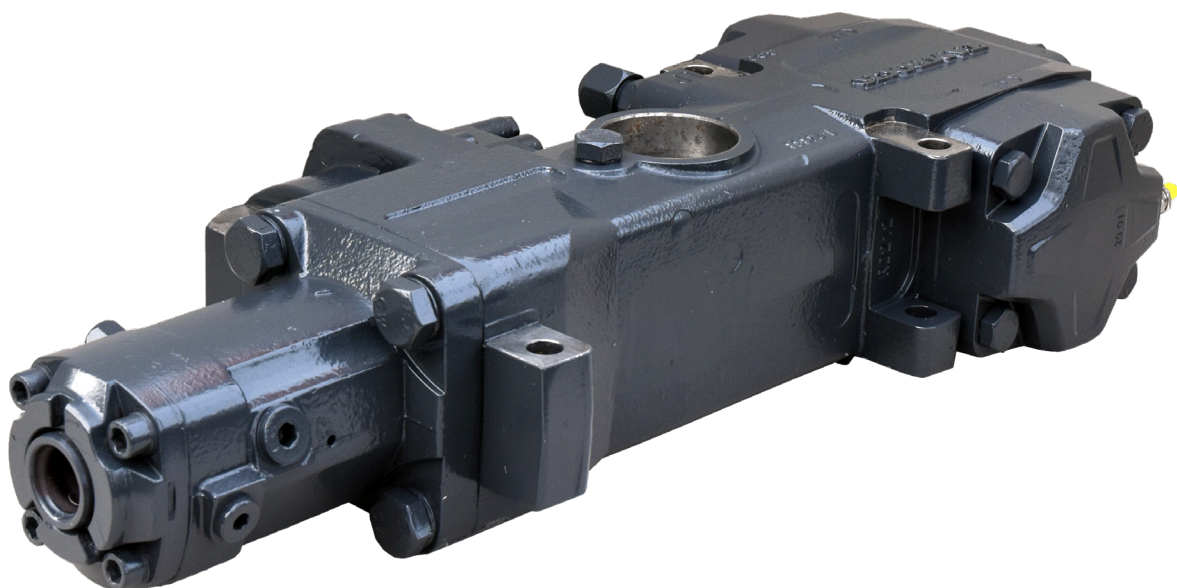
Sandvik RD212 can be used in electrically-controlled and hydraulically-controlled Sandvik drill rigs.

Sandvik RD212 is a compact, robust and universal hydraulic percussive rock drill. It is known for its hydraulic efficiency and high penetration rate.

Sandvik RD212 has excellent serviceability through modular construction and visual wear indicators. Service interval is 500 percussion hours.

### KEY FEATURES

Power class	11 kW
Percussion rate	63 Hz
Hole diameter bolting	33 - 41 mm
Hole diameter drilling	35 - 41 mm
Hole diameter reaming	76 - 89 mm
Operating pressure	
Percussion	100 - 200 bar
Rotation (max.)	210 bar
Rotation motor size	125 cc
Shanks bolting	R32 female R38 male (no flushing) T38 male (no fluhing)
Weight	90 kg



### ROTATION MECHANISM

Motor	Orbit type
Motor type	125 cc
Torque (at 175 bar)	420 Nm
Rotation speed	0 - 300 rpm
Flow (at max speed)	40 l/min

### FLUSHING PRESSURE

Max. pressure (air / water)	15 bar
-----------------------------	--------

### ACCUMULATORS

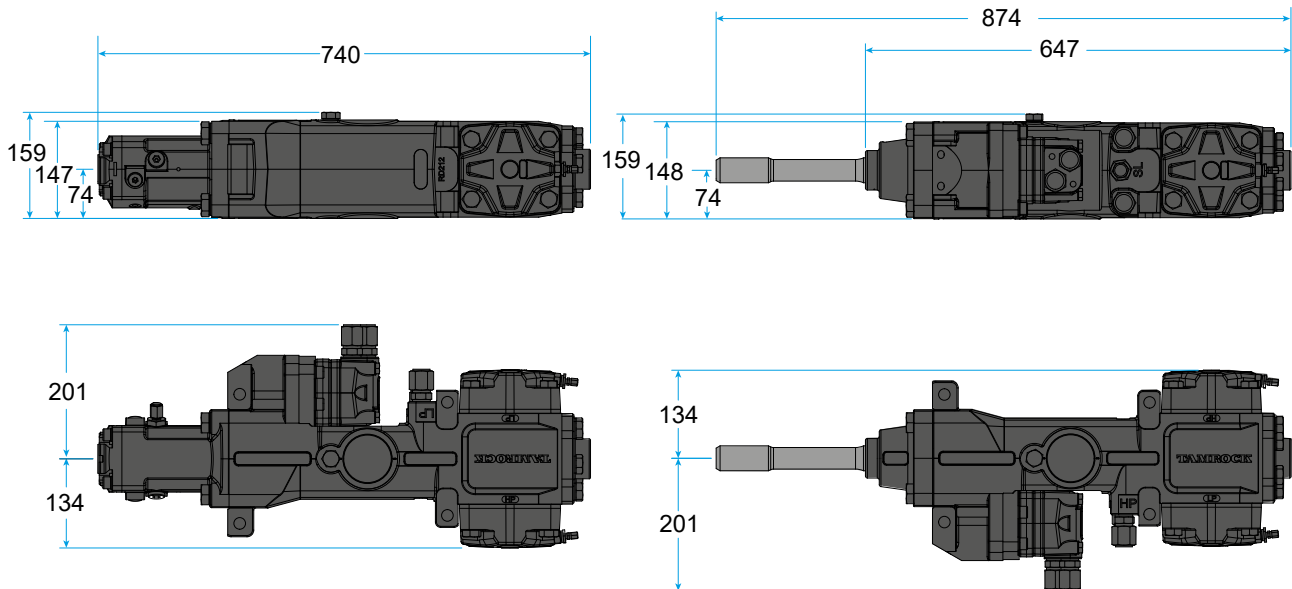
Accumulator gas	Nitrogen N2
High pressure (HP)	40 bar
Low pressure (LP)	4 bar
Filling valve	Vg8 DIN7756

### SHANK LUBRICATION

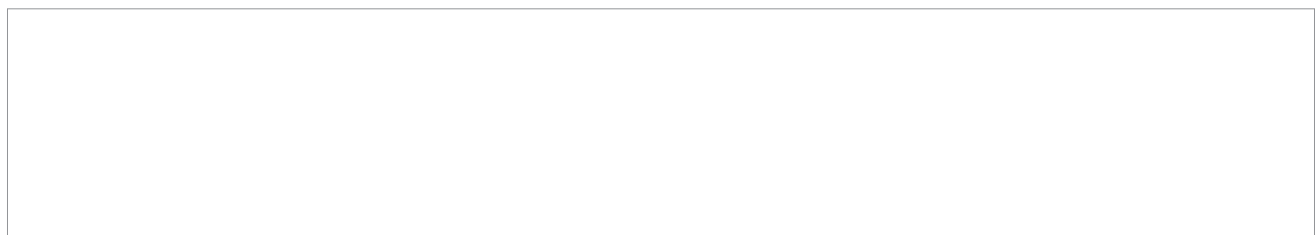
Air flow	150 - 250 NI/min
Pressure	4 - 5 bar
Oil consumption	100 - 200 g/h

### OPTION

Special tools for RD212 / Complete set	Available
Special tools for RD212 / Field tools set	Available



All dimensions in mm



Sandvik Mining and Rock Solutions reserves the right to make changes to the information on this data sheet without prior notification to users. Please contact a Sandvik representative for clarification on specifications and options.

ROCKTECHNOLOGY.SANDVIK

## 2. SANDVIK RD212 - HYDRAULIC ROCK DRILL