

# SANDVIK HLX1 HYDRAULIC ROCK DRILL

## TECHNICAL SPECIFICATION

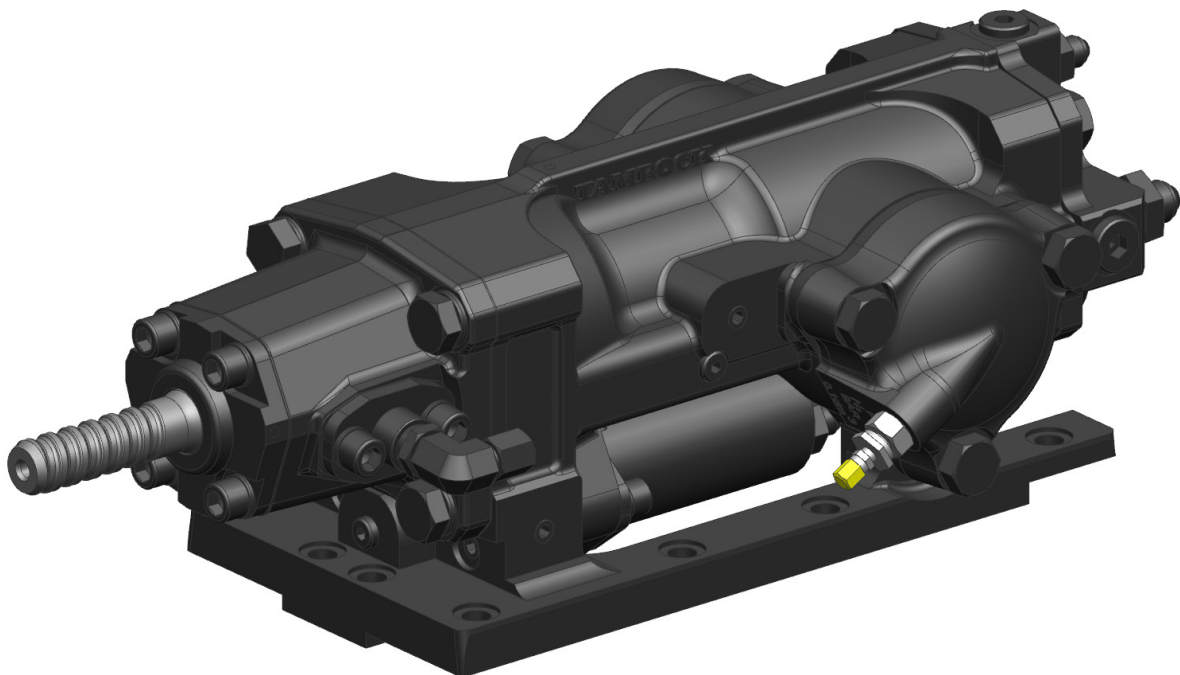
Sandvik HLX1 hydraulic rock drill is designed for small diameter holes. Typical application is drilling / bolting in confined environment with Sandvik DS211L-M low-profile rigs.

Sandvik HLX1 is a compact hydraulic percussive rock drill with low profile height. It drills with either air or water flushing.

Biodegradable oils can be used both in hydraulic and in shank lubrication to reduce the environmental risk.

### MAIN DIMENSIONS

Hole diameter drilling	22 - 45 mm
Power class	6.5 kW
Percussion rate	70 - 88 Hz
Operating pressure Percussion	100 - 180 bar
Rotation (max. continuous)	100 bar (OMM32) 70 bar (OMM50)
Rotation (max. intermittent)	140 bar
Rotation motor type	OMM 32, OMM 50
Drill steels	H25 drifter rods
Shanks	Male R23, R25, R28
Weight	53 kg



### ROTATION MECHANISM

Motor	Orbit type
Motor type 1	OMM 32
Torque (at 140 bar)	100 Nm
Rotation speed	0 - 350 rpm
Flow (at max. speed)	20 l/min

### ROTATION MECHANISM

Motor	Orbit type
Motor type 2	OMM 50
Torque (at 140 bar)	160 Nm
Rotation speed	0 - 225 rpm
Flow (at max. speed)	20 l/min

### FLUSHING PRESSURE

Max. pressure (air / water)	15 bar
-----------------------------	--------

### ACCUMULATORS

Accumulator gas	Nitrogen N2
High pressure (HP)	50 bar
Low pressure (LP)	4 bar
Filling valve	Vg8 DIN7756

### SHANK LUBRICATION

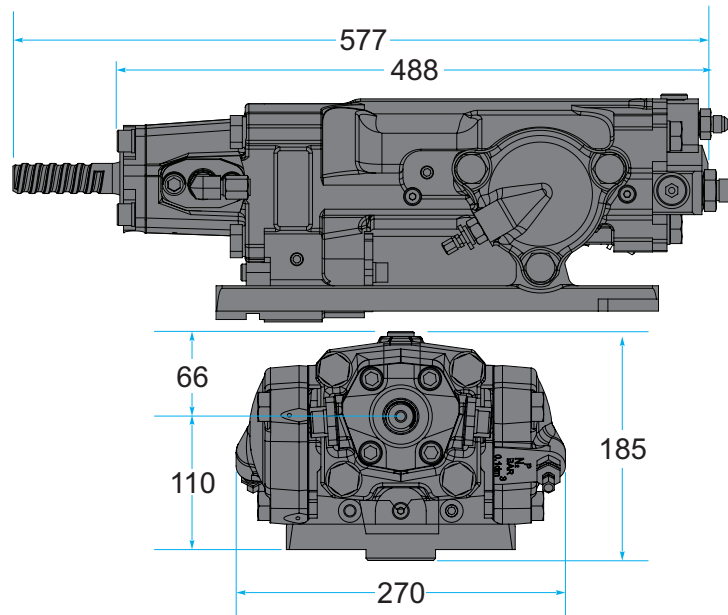
Air flow	250 NI/min
Pressure	3 - 5 bar
Oil consumption	50 - 100 g/h

### OIL RECOMMENDATION

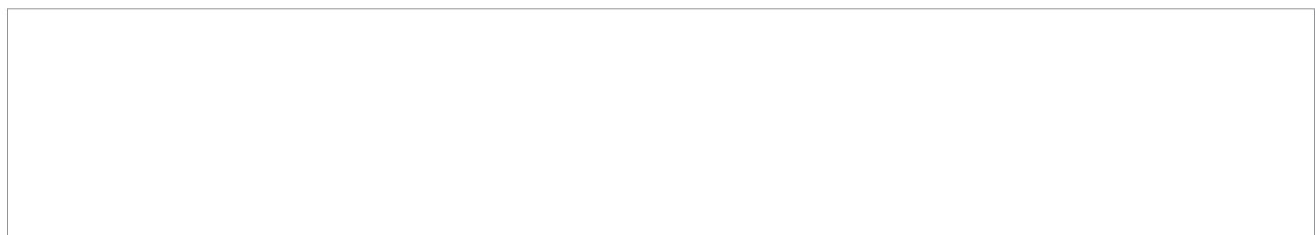
Oil operating temperature	+40°C up to +60°C
Oil recommendation	See Sandvik drill rigs lubricant recommendation for detailed information

### OPTION

Special tools for HLX1 Complete set	ID 550 383 44
-------------------------------------	---------------



All dimensions in mm



Sandvik Mining reserves the right to make changes to the information on this data sheet without prior notification to users. Please contact a Sandvik representative for clarification on specifications and options.

MINING.SANDVIK.COM

## 2. SANDVIK HLX1 HYDRAULIC ROCK DRILL