



SANDVIK HL710 HYDRAULIC ROCK DRILL

TECHNICAL SPECIFICATION

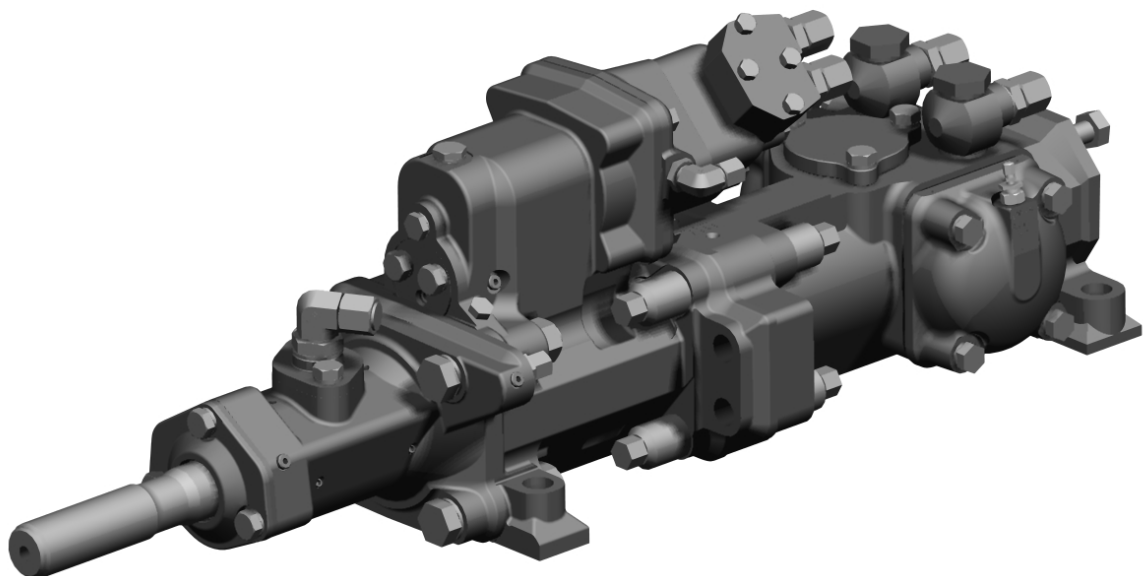
Sandvik HL710 hydraulic rock drill is designed for long hole drilling of 64 - 115 mm diameter holes. It is used in Sandvik underground production and surface drill rigs.

Sandvik HL710 is a heavy hydraulic percussive rock drill with independent rotation and separate flushing. High drilling capacity and reliability is achieved through functional modules.

Three rotation motor type options are available for torque/speed adjustment. The design is covered by several patents.

KEY FEATURES

Hole diameter drilling	64 - 115 mm
Power class	19.5 kW
Percussion rate	42 - 52 Hz
Operating pressure Percussion	100 - 190 bar
Rotation (max.)	200 bar
Rotation motor type	OMT 200, OMT 250 or OMT 315
Drill steels	38 mm 45 mm 51 mm
Shanks	
38 mm rods	T38 / 600
45 mm rods	T45 / 600
51 mm rods	T51 / 600
Weight	245 kg



ROTATION MECHANISM

Motor	Orbit type
Motor type 1	OMT 200
Torque (at 175 bar)	1 095 Nm
Rotation speed	0 - 180 rpm
Flow (at max speed)	79 l/min

ROTATION MECHANISM

Motor	Orbit type
Motor type 2	OMT 250
Torque (at 175 bar)	1 335 Nm
Rotation speed	0 - 180 rpm
Flow (at max speed)	99 l/min

ROTATION MECHANISM

Motor	Orbit type
Motor type 3	OMT 315
Torque (at 175 bar)	1 765 Nm
Rotation speed	0 - 180 rpm
Flow (at max speed)	128 l/min

FLUSHING PRESSURE

Max. pressure (air / water)	20 bar
-----------------------------	--------

ACCUMULATORS

Accumulator gas	Nitrogen N2
High pressure (HP)	50 bar
Low pressure (LP)	4 bar
Filling valve	Vg8 DIN7756

SHANK LUBRICATION

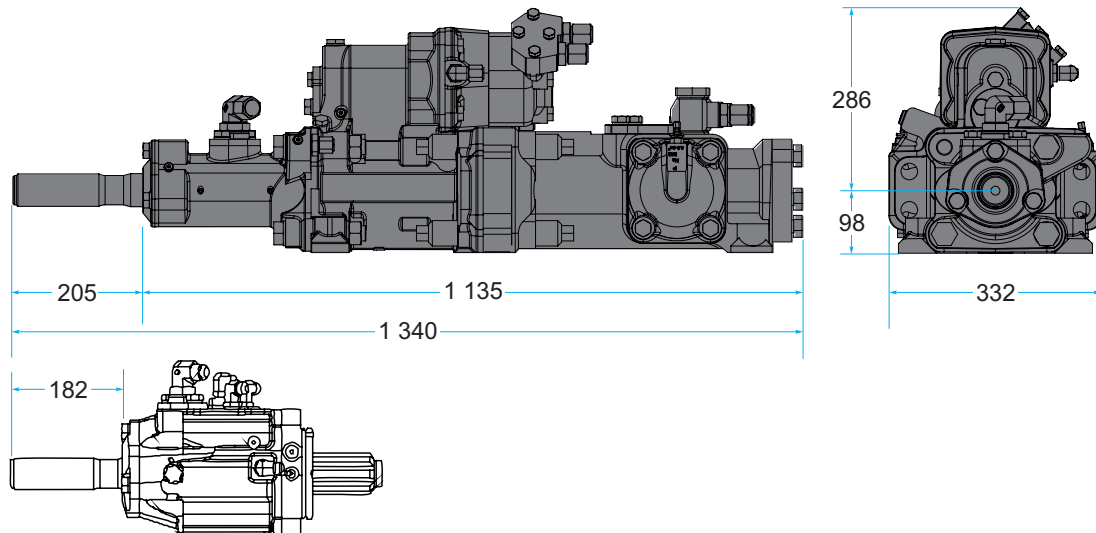
Air flow	200 - 300 l/min
Pressure	4 - 7 bar
Oil consumption	250 - 550 g/h

OIL RECOMMENDATION

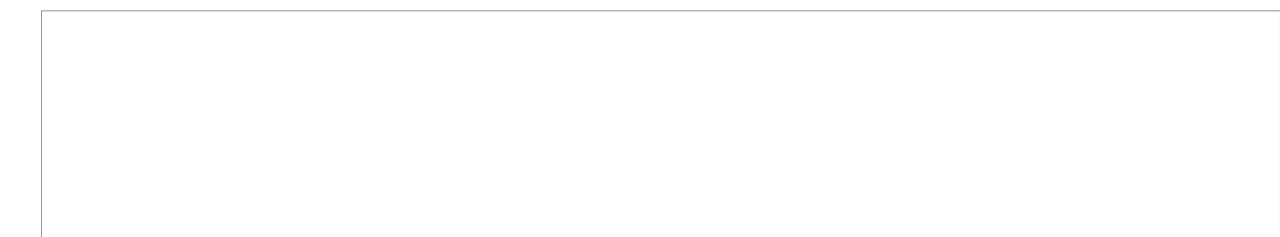
Oil operating temperature	+40°C up to +60°C
Oil recommendation	See Sandvik drill rigs lubricant recommendation for detailed information

OPTION

Special tools for HL710 / Complete set	ID 150 730 78
Special tools for HL710 / Field tools set	ID 150 734 88
Power extractor	See separate specification



All dimensions in mm



Sandvik Mining reserves the right to make changes to the information on this data sheet without prior notification to users. Please contact a Sandvik representative for clarification on specifications and options.