



SANDVIK HL510 HYDRAULIC ROCK DRILL

TECHNICAL SPECIFICATION

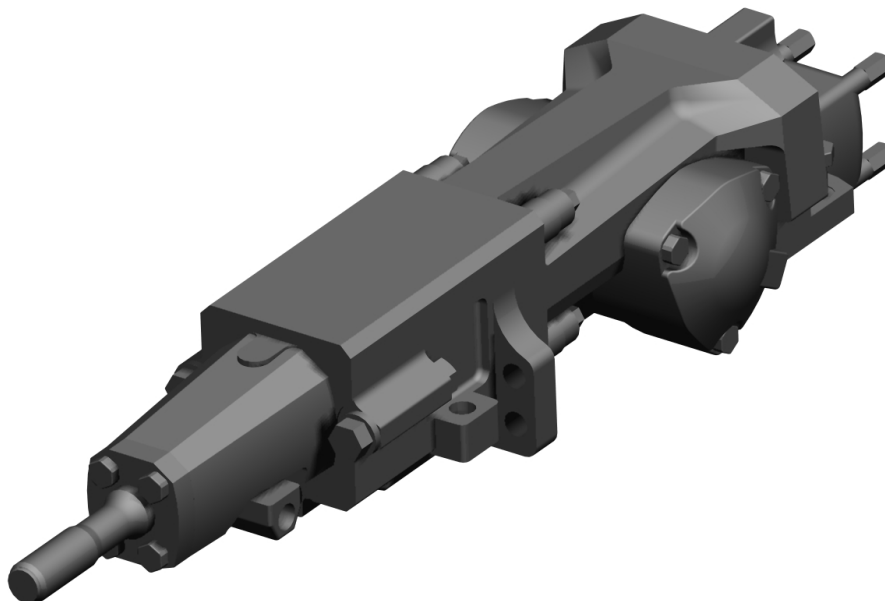
Sandvik HL510 S/F hydraulic rock drill is designed for face, bolt and long hole drilling. Sandvik HL 510S is used in DL Series long hole drilling rigs.

Sandvik HL510 S/F is a compact, robust and universal hydraulic rock drill. It is known of its hydraulic efficiency and high penetration rate. Sandvik HL510 S/F has excellent serviceability through modular construction and visual wear indicators. Robustness is achieved by only few pressurized seams between functional modules. Therefore Sandvik HL510 S/F has high efficiency when in action with minimized downtime.

Biodegradable oils can be used both in hydraulic and shank lubrication to reduce the risk for the environment.

KEY FEATURES

Hole diameter bolting	32 - 45 mm
Hole diameter drilling	43 - 51 mm
Hole diameter reaming	76 - 127 mm
Hole diameter long hole drilling	48 - 64 mm
Power class	16 kW
Percussion rate	59 Hz
Operating pressure	
Percussion	120 - 175 bar
Rotation (max.)	175 bar
Rotation motor type	OMSU 80, OMSU 125
Drill steels	H32 / H35 drifter rods H25 / H28 drifter rods, 32 mm integral steels. R39 / H35 MF-rods
Shanks	45 mm / 500 mm / T38 38 mm / 460 mm / R32 45 mm / 350 mm / R32
Weight	130 kg



ROTATION MECHANISM

Motor	Orbit type
Motor type 1	OMSU 80
Torque (at 175 bar)	400 Nm
Rotation speed	0 - 250 rpm
Flow (at max speed)	46 l/min

ROTATION MECHANISM

Motor	Orbit type
Motor type 2	OMSU 125
Torque (at 175 bar)	625 Nm
Rotation speed	0 - 250 rpm
Flow (at max speed)	72 l/min

FLUSHING PRESSURE

Max. pressure (air / water)	10 - 20 bar
-----------------------------	-------------

ACCUMULATORS

Accumulator gas	Nitrogen N2
High pressure (HP)	50 bar
Low pressure (LP)	4 bar
Filling valve	Vg8 DIN7756

SHANK LUBRICATION

Air flow	250 - 350 l/min
Pressure	4 - 7 bar
Oil consumption	200 - 300 g/h

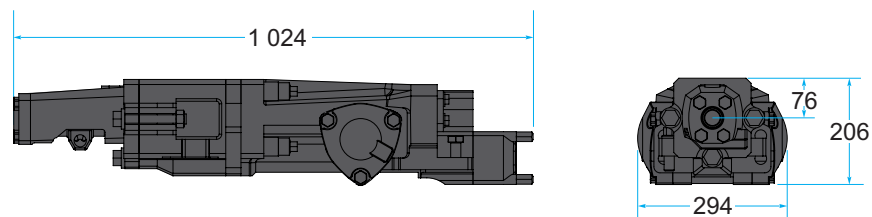
OIL RECOMMENDATION

Oil operating temperature	+40°C up to +60°C
Oil recommendation	See Sandvik drill rigs lubricant recommendation for detailed information

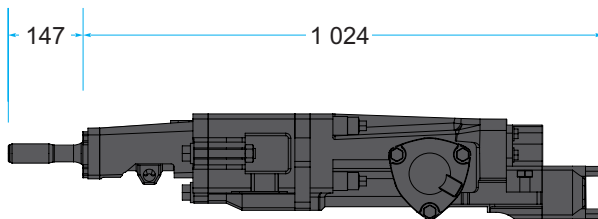
OPTION

Special tools for HL510 Complete set	ID 152 257 68
Special tools for HL510 Field tools set	ID 880 817 19

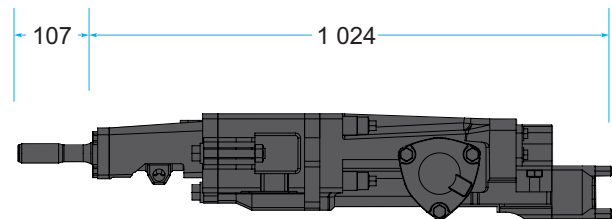
HL510F



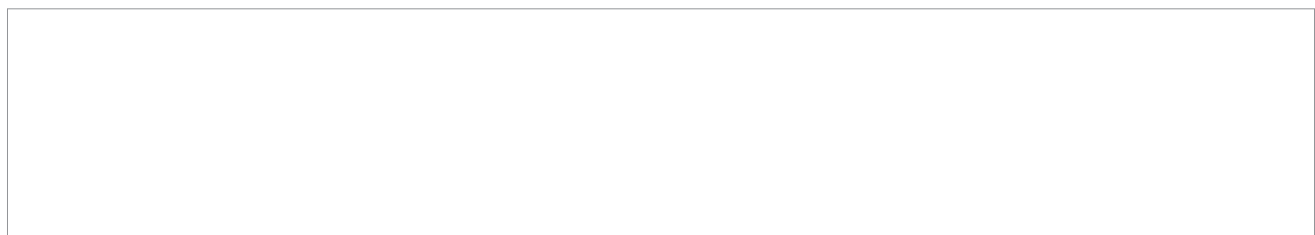
HL510S-45



HL510S-38



All dimensions in mm



Sandvik Mining reserves the right to make changes to the information on this data sheet without prior notification to users. Please contact a Sandvik representative for clarification on specifications and options.