



SANDVIK HF820T HYDRAULIC ROCK DRILL

TECHNICAL SPECIFICATION

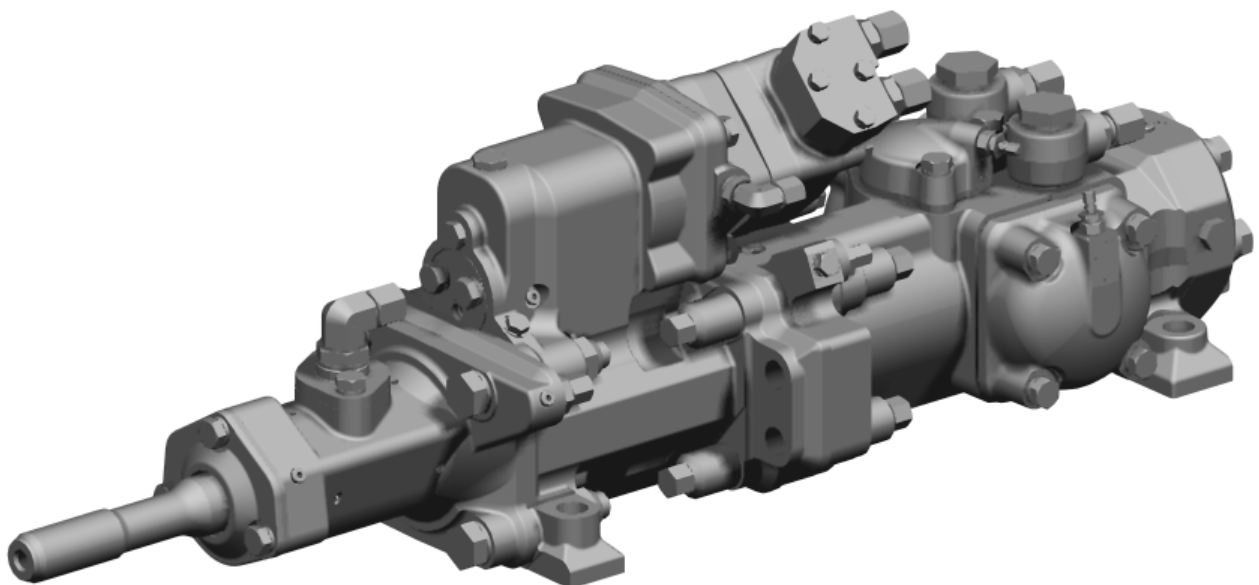
Sandvik HF820T hydraulic rock drill is designed for drilling 64-127 mm diameter holes. This rock drill belongs to Sandvik hydraulically controlled surface and underground long hole drill rigs..

Sandvik HF820T is a heavy hydraulic percussive rock drill with independent rotation and separate flushing. High drilling capacity and reliability are enabled by functional modules. Sandvik HF820T is equipped with a hydraulic stabilizer to control contact between drill bit and rock. This ensures optimal drilling performance with high drill steel life time. Three rotation motor options are available for torque/speed adjustment.

Optional Power Extractor guarantees trouble-free drilling in extreme conditions. The design is covered by several patents.

KEY FEATURES

Hole diameter	64 - 127 mm
Power class	23 kW
Percussion rate	60 Hz
Operating pressure	230 bar 100 – 230 bar (percussion) 200 bar (rotation max.)
Rotation motor type	OMT 200, OMT 250, OMT 315
Drill steels	38 / 45 / 51 mm
Shank adapter	Male type, side flushing
38 mm rods (Not optimal)	T38 / 600
45 mm rods	T45 / 600
51 mm rods (Optimal)	T51 / 600



MAIN DIMENSIONS

Overall length	1 268 mm
Length	1 066 mm
Profile height	291 mm
Width	334 mm
Weight	265 - 310 kg

ROTATION MECHANISM

Motor	Orbit type (3 options)		
Motor type	OMT200	OMT250	OMT350
Torque (200 bar)	1 095 Nm	1 335 Nm	1 765 Nm
Rotation speed	0 - 180 rpm	0 - 180 rpm	0 - 180 rpm
Flow (at max. speed)	79 l/min	99 l/min	128 l/min

FLUSHING

Max. pressure (air / water)	20 bar
-----------------------------	--------

ACCUMULATORS

Accumulator gas	Nitrogen N2
High pressure (HP)	50 bar
Low pressure (LP)	4 bar
Stabilizer	30 bar
Filling valve	Vg8 DIN 7756

SHANK LUBRICATION

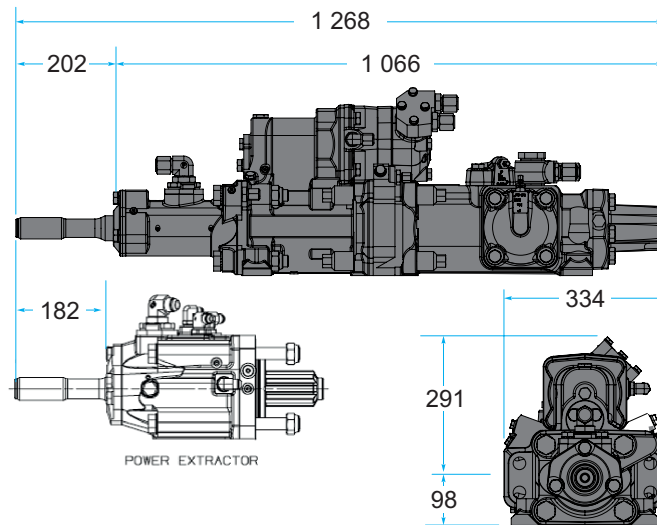
Air flow (pressurized)	200 - 300 l/min
Air pressure (at rock drill)	4 - 7 bar
Oil consumption	250 - 550 g/h

OIL RECOMMENDATIONS

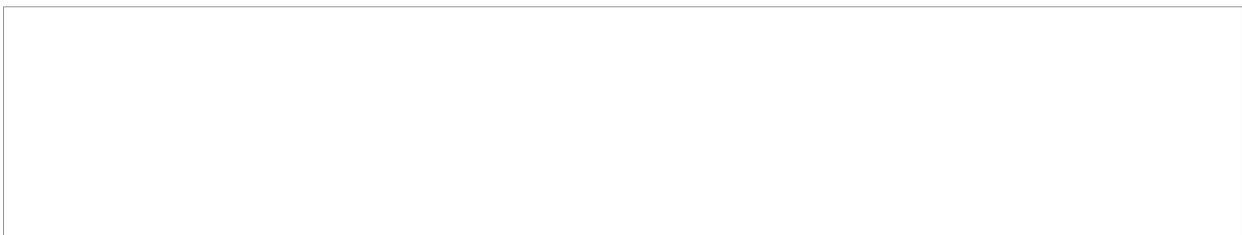
Oil operating temperature	+40°C - +60°C
Oil recommendation	See Sandvik drill rigs lubricant recommendation for detailed information

OPTIONS

Power extractor	See separate specification
Tools for HF820T Complete set	ID 551 506 23
Tools for HF820T Field service set	ID 550 055 29



All dimensions in mm



Sandvik Mining reserves the right to make changes to the information on this data sheet without prior notification to users. Please contact a Sandvik representative for clarification on specifications and options.