

SANDVIK HEX1 HYDRAULIC ROCK DRILL

TECHNICAL SPECIFICATION

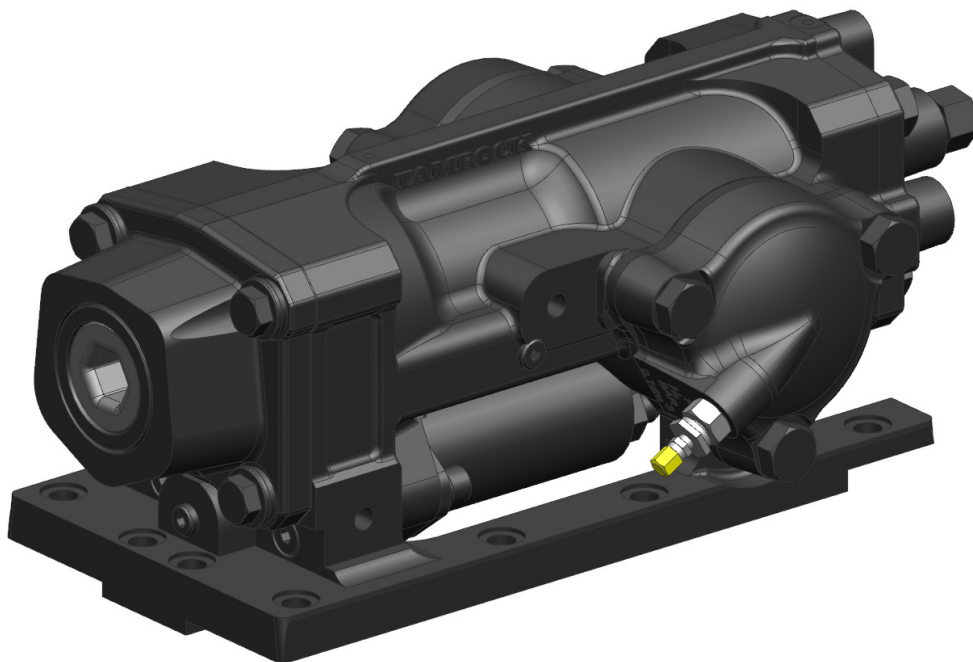
Sandvik HEX1 hydraulic rock drill is designed for a maximum recommended diameter of 45 mm. Typical application is foundation drilling, road cutting, trenching, bolting, line drilling in dimensional stone quarries and other special drilling applications with Sandvik DC120 rigs.

Sandvik HEX1 is a compact hydraulic percussive top hammer rock drill with low profile height. It drills with air flushing (water optional).

Biodegradable oils can be used both in hydraulic and in shank lubrication to reduce the environmental risk.

MAIN DIMENSIONS

Hole diameter drilling	22 - 45 mm
Power class	6.5 kW
Percussion rate	70 - 88 Hz
Operating pressure Percussion	100 - 180 bar
Rotation (max. continuous)	100 bar (OMM20, 32)
Rotation (max. intermittent)	70 bar (OMM50)
Rotation motor type	OMM20, OMM32, OMM50
Drill steels	H19, H22, H25 integral rods
Shanks	Hex 19 x 108 mm Hex 22 x 108 mm Hex 25 x 108 mm
Weight	50 kg



ROTATION MECHANISM

Motor	Orbit type
Motor type 1	OMM20
Torque (at 140 bar)	65 Nm
Rotation speed	0 - 400 rpm
Flow (at max. speed)	15 l/min

ROTATION MECHANISM

Motor	Orbit type
Motor type 2	OMM32
Torque (at 140 bar)	100 Nm
Rotation speed	0 - 350 rpm
Flow (at max. speed)	20 l/min

ROTATION MECHANISM

Motor	Orbit type
Motor type 3	OMM50
Torque (at 140 bar)	160 Nm
Rotation speed	0 - 225 rpm
Flow (at max. speed)	20 l/min

FLUSHING PRESSURE

Max. pressure (air / water)	5 bar
-----------------------------	-------

ACCUMULATORS

Accumulator gas	Nitrogen N2
High pressure (HP)	50 bar
Low pressure (LP)	4 bar
Filling valve	Vg8 DIN7756

SHANK LUBRICATION

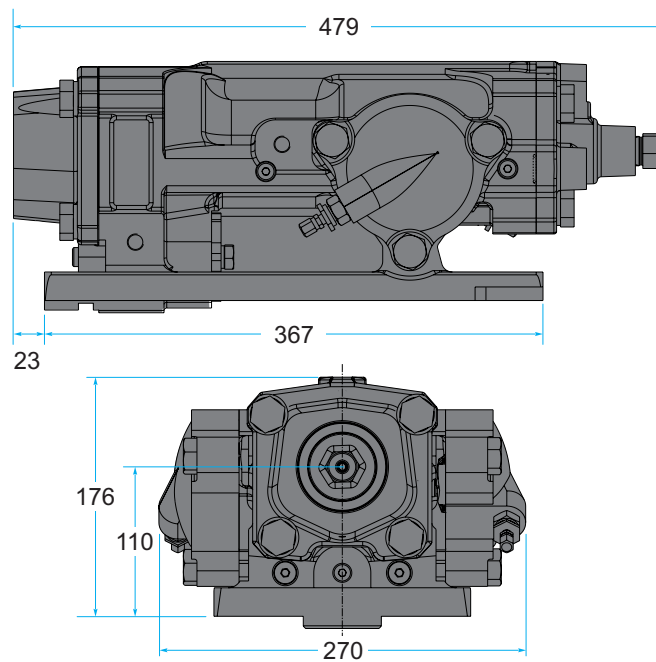
Air flow	250 NI/min
Pressure	3 - 5 bar
Oil consumption	50 - 100 g/h

OIL RECOMMENDATION

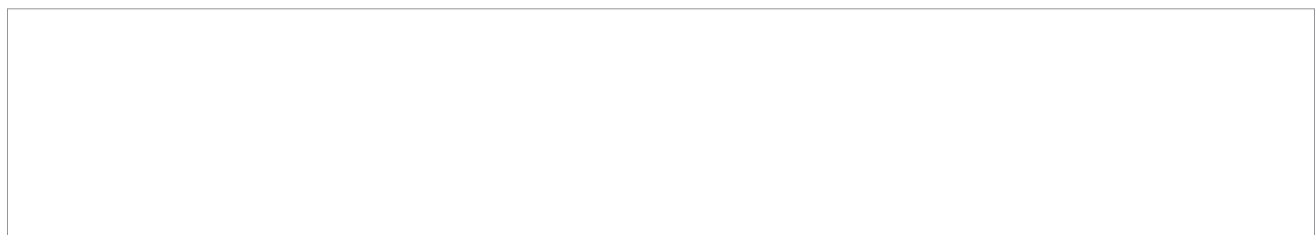
Oil operating temperature	+40°C up to +60°C
Oil recommendation	See Sandvik drill rigs lubricant recommendation for detailed information

OPTION

Special tools for HEX1 Complete set	ID 550 259 07
Water flushing	Flushing tube diameter 5 mm Water consumption 2 -6 bar 5 - 10 l/min



All dimensions in mm



Sandvik Mining reserves the right to make changes to the information on this data sheet without prior notification to users. Please contact a Sandvik representative for clarification on specifications and options.