



SANDVIK H200 ROCK DRILL

TECHNICAL SPECIFICATION

Sandvik H200 hydraulic rock drill is designed for rock bolting on Sandvik rock support rigs.

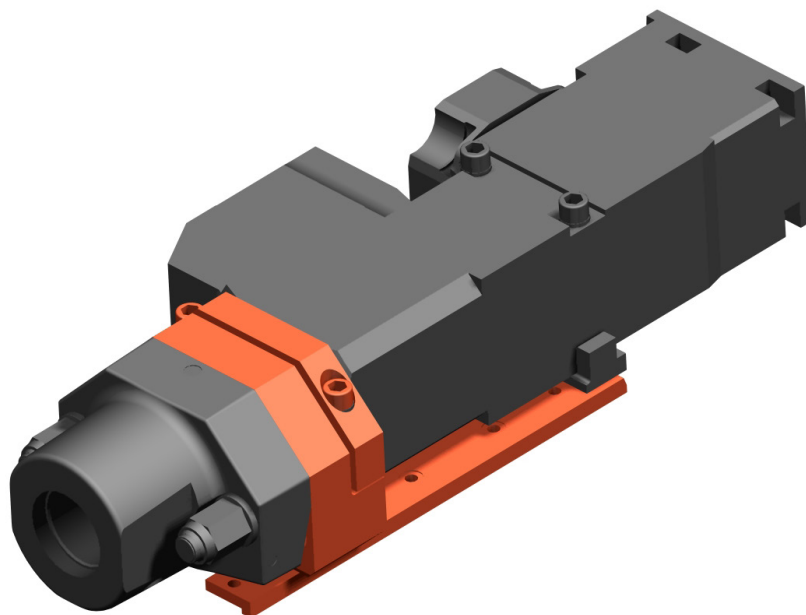
It is also suitable for tunneling and mine development drilling on Sandvik narrow vein mining jumbos.

The extreme compact design of Sandvik H200 hydraulic percussive rock drill, when mounted on the TUC bolting head, provides to Sandvik bolters an ability to install bolts wherever it is needed, even in real uneven conditions.

The power level perfectly fitted to the application enables an outstanding lifetime to the drilling tools.

MAIN DIMENSIONS

Hole diameter bolting	33 - 41 mm
Hole diameter drilling	35 - 41 mm
Hole diameter reaming	76 - 89 mm
Power class	10 kW
Percussion rate	40 - 65 Hz
Operating pressure	
Percussion	140 - 200 bar
Rotation (max.)	210 bar
Rotation motor type	OMS 125
Drill steels	
Bolting (drilling)	Male R32 - Male R25 Male R28 - Male R32 Male R32 - Male R38
Drifting	
Shanks	
Bolting (TUC drilling line)	R32 (female)
Bolting (TUC bolting line for S bolting system)	R32 (male) - R38 (male)
Drilling	R32 (male) - R38 (male)
Weight	95 kg



ROTATION MECHANISM

Motor	Orbit type
Motor type 1	OMS 125
Torque (at 175 bar)	420 Nm
Rotation speed	0 - 300 rpm
Flow (at max speed)	40 l/min

FLUSHING PRESSURE

Max. pressure (air / water)	15 bar
-----------------------------	--------

ACCUMULATORS

Accumulator gas	Nitrogen N2
High pressure (HP)	55 bar
Filling valve	Vg8 DIN7756

SHANK LUBRICATION

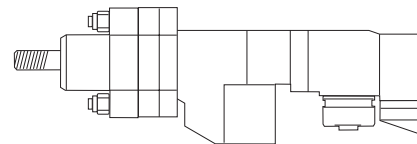
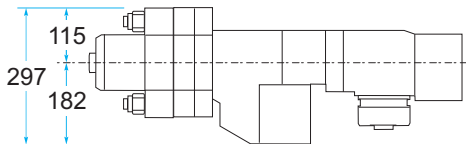
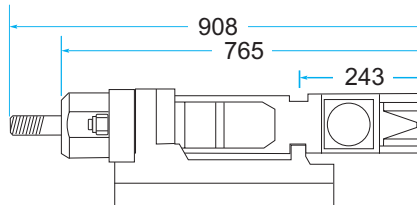
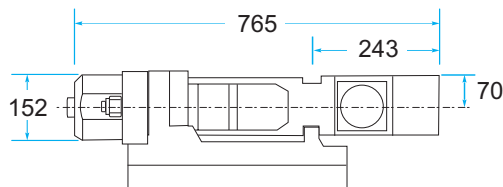
Air flow	250 l/min
Pressure	2.5 bar
Oil consumption	100 g/h

OIL RECOMMENDATION

Oil operating temperature	+40°C up to +65°C
Oil recommendation	See Sandvik drill rigs lubricant recommendation for detailed information

OPTION

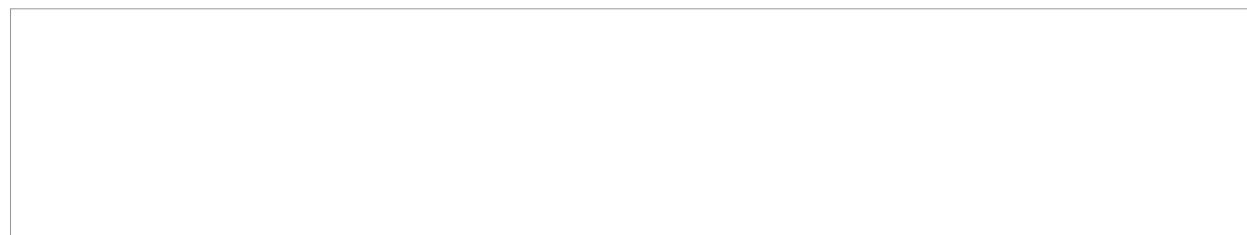
Special tools for H200 Complete set	ID 7834 0065
Flushing head	+ 20 kg



Bolting version
(TUC drilling line)

Drilling version
Bolting version (TUC bolting line)

All dimensions in mm



Sandvik Mining reserves the right to make changes to the information on this data sheet without prior notification to users. Please contact a Sandvik representative for clarification on specifications and options.

MINING.SANDVIK.COM