



QJ341 JAW CRUSHER ENGINEERING IN MOTION



Optional hydraulic breaker arm with hammer and hopper extensions available

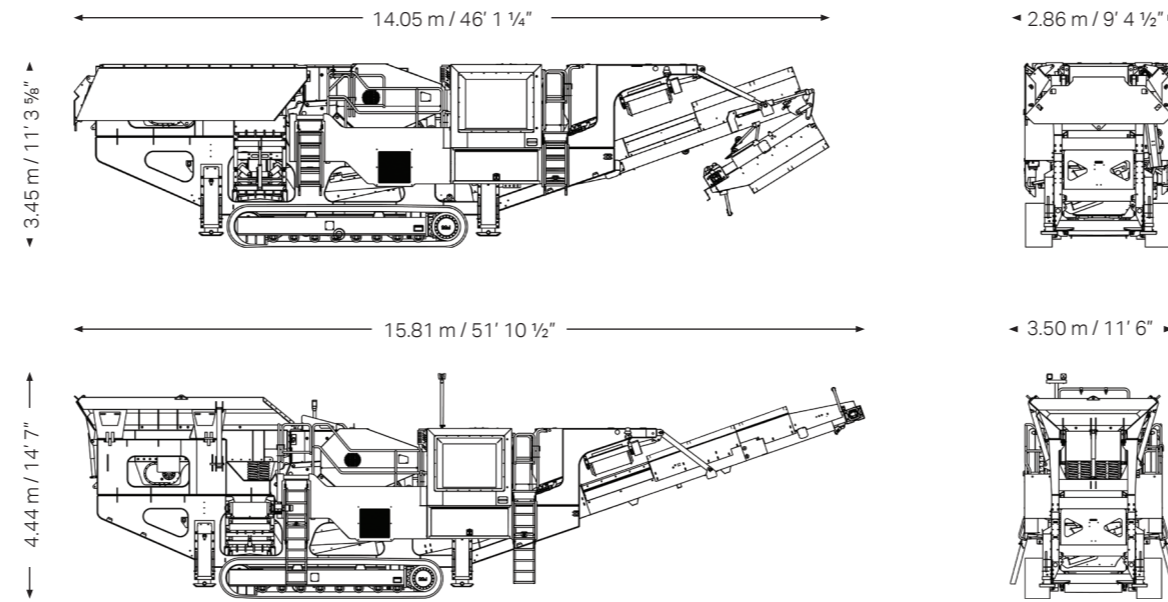


TECHNICAL SPECIFICATIONS

KEY SPECIFICATIONS	DATA
Crusher	
Type	Single Toggle - C12
Feed opening	1200 mm x 750 mm / 47" x 29"
Speed	283 rpm
Adjustment type	Hydraulic Wedge
Drive	Hydraulic via V Belts
CSS range	50 - 160 mm / 2" - 6 3/8"

KEY SPECIFICATIONS	DATA
Power pack	
Engine	Stage 3A / Tier 3 CAT C9 Acert Stage 3B / Tier 4i CAT C9.3 Acert Stage 4 / Tier 4 Final CAT C9.3 Acert Stage 4 / Tier 4 Final Volvo D11
Engine power	261 kW / 350 hp (CAT) 265 kW / 355 hp (Volvo)
Diesel tank capacity	660 litres / 174 USG
Hydraulic tank capacity	660 litres / 174 USG

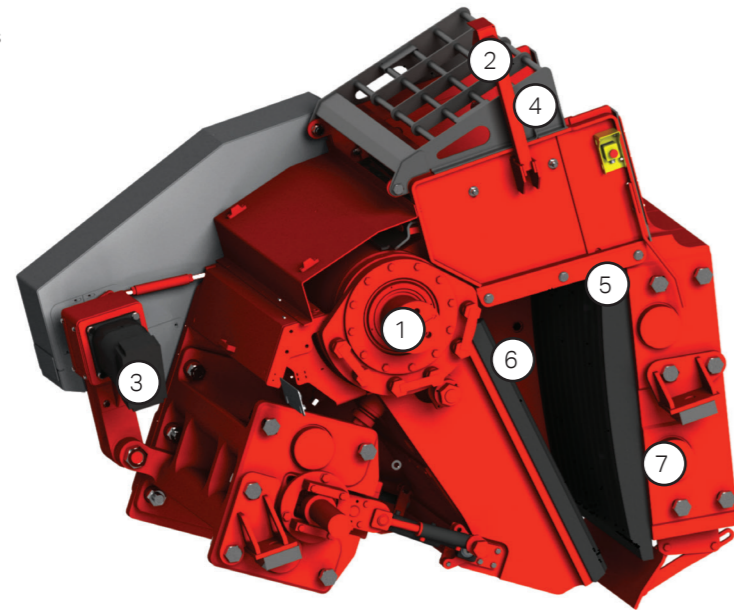
Note. All weights and dimensions are for standard units only



1 Heavy duty shaft and bearings with automatic greasing system as standard

2 Level sensor to optimize feed rate into the crusher (optional)

3 Heavy duty torque arm and bent axis motor providing a robust drive and easy belt adjustment



4 Jaw guard to withstand heavy forces of ejected material from the jaw

5 Mn corrugated jaw plates

6 Extended cheek plates to reduce blockages in chamber and add rigidity and strength to crusher feed chute

7 Bolted mainframe for maximum strength and durability

BS-325 ENG rev2 © Sandvik Construction 2016 SANDVIK is a registered trademark owned by Sandvik Intellectual Property AB in Sweden and other countries.



QJ341 JAW CRUSHER ENGINEERING IN MOTION

KEY SPECIFICATIONS	DATA
Equipment	Single toggle C12 jaw crusher
Feed opening	1200 mm x 750 mm / 47" x 29"
Optimum feed size	650 mm ³ / 25.6 inch ³
Engine	C9 / C9.3 Acert 261 kW / 350 hp D11 Volvo 265 kW / 355 hp
Transport dimensions	14.05 m / 46' 1 1/4" (l) 2.86 m / 9' 4 1/2" (w) 3.45 m / 11' 3 3/8" (h)
Weight	45,233 kg / 99,722 lbs

WORLD LEADING JAW CRUSHER

The QJ341 is the flagship of the range and one of the best selling track mounted jaw crushers in the world today.

The largest in the Sandvik Premium range of jaw crushers, it has been designed to meet the needs of the operator seeking a high performance mobile jaw crusher which is both reliable and durable. With a large feed opening and unique high crushing speed it is capable of delivering high outputs with excellent reduction ratios.

The powerful jaw crusher is capable of handling the most challenging of quarry applications but equally capable in the recycling segment with its large under-belt clearances and is equipped with a hydraulic raise and lower facility on the main conveyor as standard.

FEATURES INCLUDE:

- Emissions compliant 261 kW / 350 hp engine for powerful cost efficient performance
- Automatic central lubrication system to reduce maintenance time
- 50°C ambient temperature capability without the need for a change of oil
- Reverse crushing action to relieve blockages, crush sticky problematic materials and asphalt
- Jaw level sensor available for optimum regulation of material flow into the crusher
- Designed for optimum fuel economy and low operating costs.

- ② Feeder
- Large capacity vibrating variable speed stepped grizzly feeder
 - Wear resistant liner plates fitted as standard
 - Improved load control system for the feeder drive to ensure continuous, uninterrupted crushing

- ① Hopper
- Reinforced hopper with hydraulically folding doors for quick setup
 - Wear resistant liner plates (optional)

- ③ Jaw
- High performing 1200 x 750 mm / 47 x 29" jaw
 - Hydraulically adjustable CSS for a variety of applications
 - Hydraulically driven with reversible crushing action to relieve blockages and for crushing asphalt
 - Level sensor fitted to jaw to optimize feed rate into the crusher (optional)

- ④ Power pack
- 261 kW / 350 hp emissions compliant engine
 - Easy access to engine compartment for service and maintenance
 - Ground level drainage points
 - Large capacity 660 litre / 174 USG diesel tank

- ⑤ Cooling fan
- Hydraulically driven cooling fan with auto reverse to back flush dust from radiator

- ⑥ Main conveyor
- 1000 mm / 39 1/2" wide conveyor with a discharge height of 3894 mm / 12' 9 1/4"
 - Hydraulic raise / lower facility to give increased clearance for rebar discharge in recycling applications
 - Tunnel arrangement to reduce catchment points in recycled materials
 - Speed wheel fitted to the main conveyor to stop the feeder
 - Overband magnet removes rebar for recycling and demolition applications (optional)
 - Dust suppression spray bars fitted as standard
 - Canvas covers (optional)

- ⑦ Chassis
- Heavy duty fabricated chassis on a tracked frame
 - Hydraulic legs for increased stability and servicing capabilities (optional)

- ⑧ Control system
- Highly efficient hydraulic and electrical system provides ultimate system control
 - User friendly PLC control system with colour screen for full automated control

- ⑨ Tracks
- 500 mm / 19 3/4" wide tracks driven by proportional umbilical control
 - Radio remote (optional)

- ⑩ Steel pipework (other side of machine)
- Provides a safe and maintenance-free sealing solution, combined with better heat dissipation

- ⑪ Natural fines conveyor (optional)
- Belt width 650 mm / 25 1/2"



STANDARD FEATURES



Double deck pre-screen



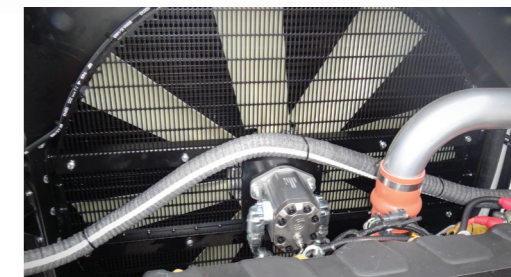
User friendly PLC control system with colour screen



Telescopic natural fines conveyor



Easy access to engine department



Three position by-pass chute



Extended main conveyor for massive stockpiling