



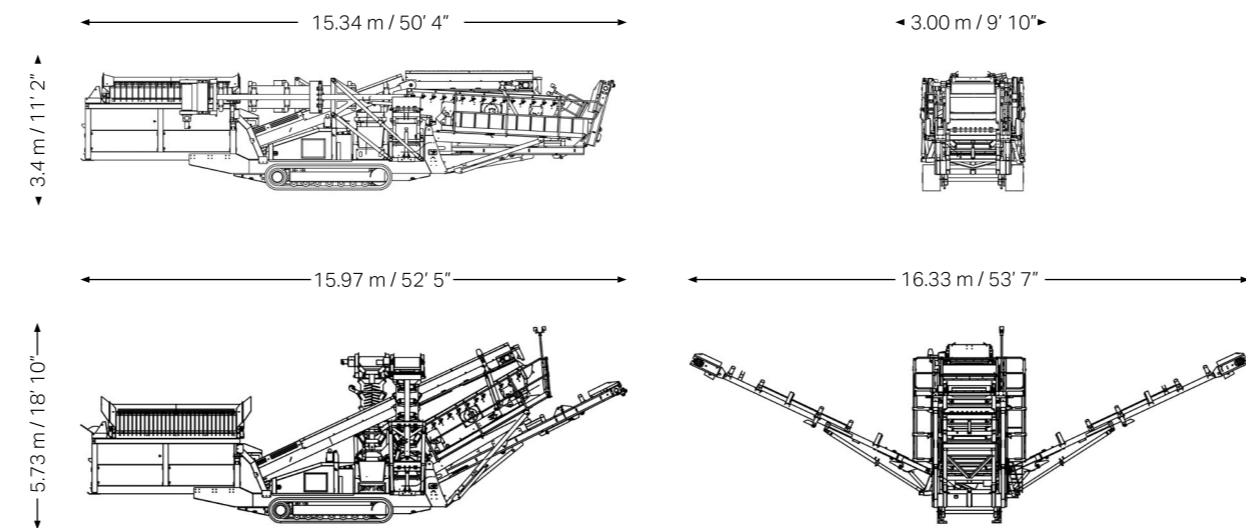
QA331 SCREEN ENGINEERING IN MOTION

TECHNICAL SPECIFICATIONS

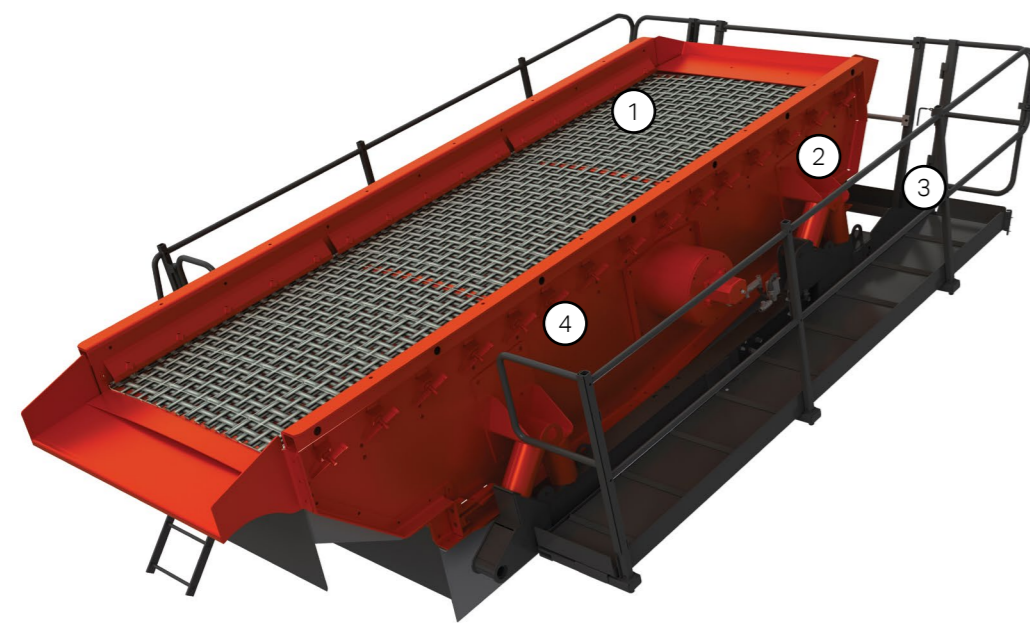
KEY SPECIFICATIONS	DATA
Screen box	
Type	Single screen, 2 Bearing, 2 Deck
Screen box size	14' x 5' / 4.2 x 1.5 m
Tensioning system	Quick release wedge tensioners
Speed	1140 rpm
Throw	6 - 8 mm
Motor	59 cc

KEY SPECIFICATIONS	DATA
Power pack	
Engine type	CAT C4.4 74.5 kw / 100 hp
Diesel tank size	350 litres / 93 USG
Hydraulic tank size	630 litres / 166 USG

Note. All weights and dimensions are for standard units only



Standard weight 27,050 kg / 59,635 lbs



- ① Two bearing double deck screen box
- ② Heavy duty bolted construction with unique high throw and speed for maximum separation and efficiency
- ③ Three sided maintenance platform for easy access to the screen box
- ④ Quick release wedge tensioner's

BS-340 © Sandvik Construction 2016 SANDVIK is a registered trademark owned by Sandvik Intellectual Property AB in Sweden and other countries



QA331 SCREEN ENGINEERING IN MOTION

KEY SPECIFICATIONS	DATA
Screen type	Single screen, 2 Bearing 2 Deck
Screen box size	14' x 5' / 4.2 x 1.5 m
Engine	C4.4 74.5 kW / 100 hp
Transport dimensions	15.34 m / 50' 4" (l) 3.0 m / 9' 10" (w) 3.40 m / 11' 2" (h)
Weight	27,050 kg / 59,635 lbs

HIGH PRODUCTIVITY SCREENING

Our QA331 tracked screen is a high performing, high specification tracked screen designed to suit the needs of the recycling and contractor market. It incorporates a 4.2 x 1.5 m / 14' x 5' two bearing screen box with an adjustable screening angle for more precise production, whilst its bottom deck offers an extra 6° angle for ultimate screening performance.

We have designed the QA331 with the operator in mind. It comes equipped with user friendly features including a generous 3-sided, folding maintenance platform, remote controlled track and grid functions, hydraulic folding stockpile conveyors for rapid deployment, wedge tensioners for fast media changes and hydraulic driven oil cooler for operation in high ambient temperatures.

FEATURES INCLUDE:

- Screen box throw adjustable from 6 - 8 mm for precise control
- Wrap around folding walkways for operator safety
- Hydraulically retractable main conveyor, optimizes product delivery to screen
- Banana effect bottom deck screen that can produce a cleaner, higher quality product
- Designed for optimum fuel economy and low operating costs

- ① Side conveyors x 2
- 650 mm / 26" wide belt with a discharge height of 4700 mm / 15' 5" for massive stockpiling capability

- ② Screen box
- Single deck 14' x 5' / 4.2 m x 1.5 m screen box for high production capabilities
- Bottom deck features a "banana type" effect for enhanced screening performance
- Easy-change mesh facility with quick release wedge tensioners

- ③ Main Conveyor
- 1050 mm / 41" wide variable speed conveyor
- Extends and retracts for maximum screening efficiency



- ④ Maintenance platform
- Wrap-around walkway for ease of maintenance

- ⑧ Hopper
- Large volume hopper complete with remote control hydraulic tipping grid
- Variable speed belt feeder, heavy duty-roller bed and belting
- Heavy duty feeder drive system for large throughput
- Vibrating grid available as an option

- ⑤ Fines tail conveyor
- 1200 mm / 47" wide belt with a discharge height of 4034 mm / 13' 3" for massive fines stockpiling capability

- ⑦ Power pack
- 74.5 kW / 100 hp emissions compliant diesel engine
- Easy access to the engine compartment for service and maintenance

- ⑥ Tracks
- 500 mm / 20" wide tracks for ultimate maneuverability
- Radio remote control (optional)

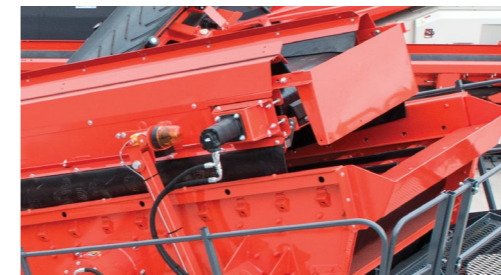
STANDARD FEATURES



Hopper complete with hydraulic tipping grid



Massive stockpiling capabilities



Hydraulically retractable main conveyor



Wrap around folding walkway



Three discharge conveyors



CAT C4.4 engine