



GREATER FLEXIBILITY INCREASED PRODUCTIVITY

SANDVIK WM MODULAR SCREENING MEDIA SYSTEM



A PARTNER IN PRODUCTIVITY

Your screening media is just as important to your operation as choosing the right chamber for your crusher. But it doesn't stop at screens alone. When your setup is optimized for your unique needs, then you really start maximizing your productivity.

Screening media is not one size fits all. Unlike many other suppliers of screen panels, we intimately understand the challenges you face and can work with you to analyze your classification objectives and challenges to create a screening media solution that will maximize your operation – and your output.

With Sandvik, you get an OEM partner with more than a century of experience in crushing and screening. Bringing all of our deep expertise and process knowledge to your operation, we not only provide you with the right screening media. We also have an array of service offerings to optimize your entire crushing and screening circuit, helping you solve problems, and raise your profits.

1 million ton performance guarantee*

*Applicable for WM7000H/HD. Warranty terms and conditions apply.

Sandvik WM4000 & Sandvik WM5000



Sandvik WM6000 & Sandvik WM7000H/HD



A VERSATILE SYSTEM FOR IMPROVED SCREENING ACCURACY

When using modular media from Sandvik, the deck configuration can be either flat, stepped or high-low. A flat deck allows the material bed to be evenly distributed over the full width of the screen, increasing screen efficiency. Steps improve stratification and allow smaller particles to reach the screen surface quicker. For final screening, a high-low configuration can be used to reduce the material speed and increase screening accuracy.

The amount of fines carry-over is reduced by the trapezoidal shape of the modules and the wedge shaped side liners. No blind areas along the material flow means less carry-over and more accurate screening.

The individual modules can easily be replaced for wear reasons or in order to change aperture size.

A double snap-on locks the modules safely onto extruded steel profiles. An adapter system that makes it possible to install cross-tensioned media on Sandvik modular decks is also available.

We offer modular screening media for a variety of applications and deck configurations. Choose WM4000/5000 for fine screening in difficult conditions with feed lump size between 10-50 mm, WM6000/7000H/7000HD for fine to medium coarse screening in dry applications with feed lump size between 20-150 mm and WM7000 polyurethane screening media in wet applications with feed lump size between 10-100 mm.

Sandvik WM7000



BOOST YOUR PRODUCTIVITY

By choosing original modular screening media from Sandvik, you will get a host of capacity-increasing and maintenance-reducing benefits to help you boost your productivity.

INCREASED CAPACITY

Sandvik anti-blinding modules are made of a special soft rubber of flexibility that prevents pegging and blinding. When screening small particles with high moisture content.

GREATER FLEXIBILITY

With these modules, the screen deck can be either flat or stepped. A flat deck enables the material to be distributed evenly over the full width of the screen, increasing efficiency. The steps allow the smaller particles to come into contact with the screen surface more rapidly.

MORE ACCURATE SCREENING

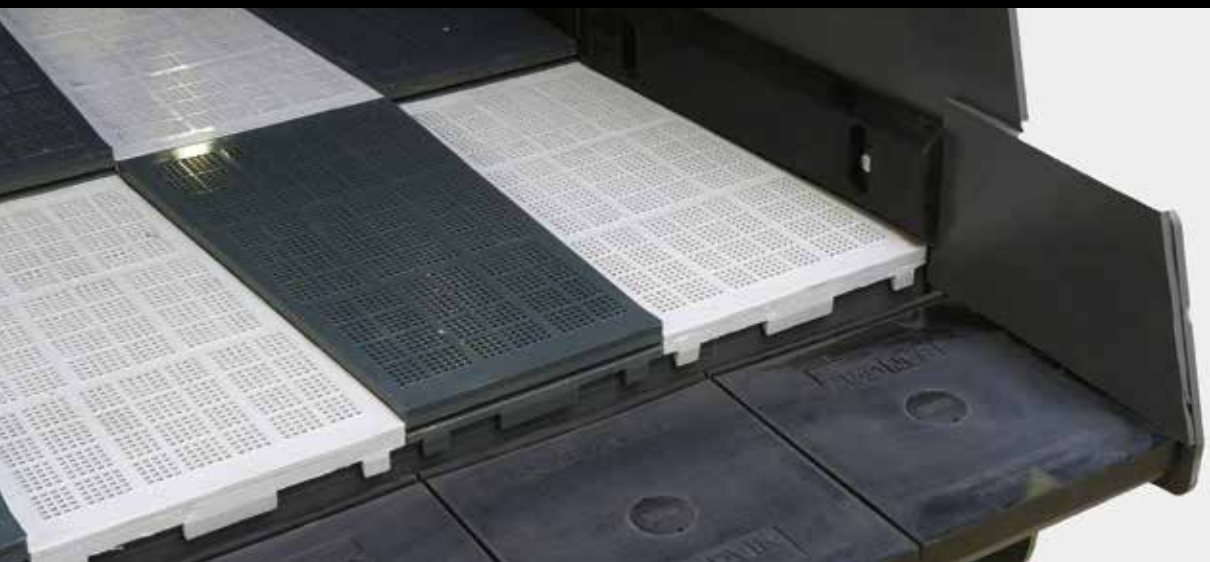
The risk of material migrating is reduced through the trapezoidal shape of the panel, giving a staggered hole pattern and joints between the panels that do not run parallel with the material flow. The side protection is wedge shaped to allow for minor adjustment in width, and also to prevent material migrating along the sides of the screen. The result is more accurate screening and less misplaced particles in the end product.

RELIABILITY AND VERSATILITY

A double snap-on locks the modules on extruded steel profiles. The screen modules are designed to protect the profiles against wear. An adapter system has been developed making it possible to install cross-tensioned media on screens, equipped with our snap on profile. Combinations of modules and cross-tensioned media are also possible.

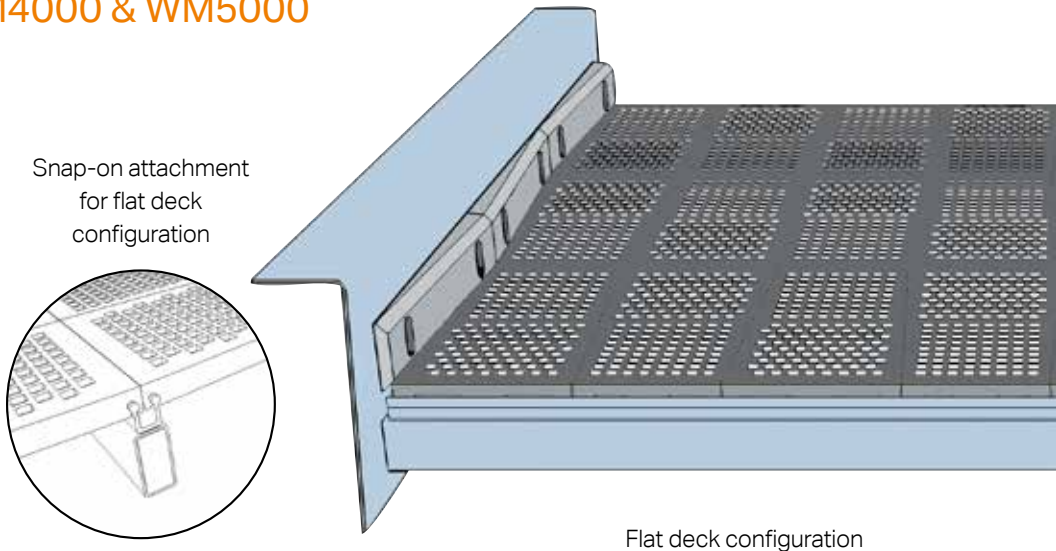
SAFER AND MORE QUIET WORKING ENVIRONMENT

By using SANDVIK rubber modules in the screen, the noise level in the plant is reduced, improving the working environment and together with its low weight and manageable size our modules are easy and safe to handle.





WM4000 & WM5000



Snap-on attachment
for flat deck
configuration

Flat deck configuration

MODULAR ANTI-BLINDING SCREENING MEDIA

A modular screening media of soft rubber with punched openings, primarily for fine screening in difficult conditions, with a separation between 2-16 mm and a maximum feed size of 50 mm.

TYPE

WM4000 & WM5000 modular anti-blinding screening media.

DIMENSIONS

Thickness (mm)	2.5, 3.5, 5.5, 8, 11, 15
Length (mm)	600
Width (mm)	320 / 265

INSTALLATION

On extruded steel profiles mounted crosswise in the screen. Stepped deck configuration using high-low snap-on profiles or flat deck configuration using low-low snap-on profile.
On screens with a width dividable by 300 mm and a length dividable by 600 mm only full modules are needed. For all others, narrow modules and side liner spacers are available.
Maximum drop height on the top deck is 300 mm, in between decks max. 800 mm.

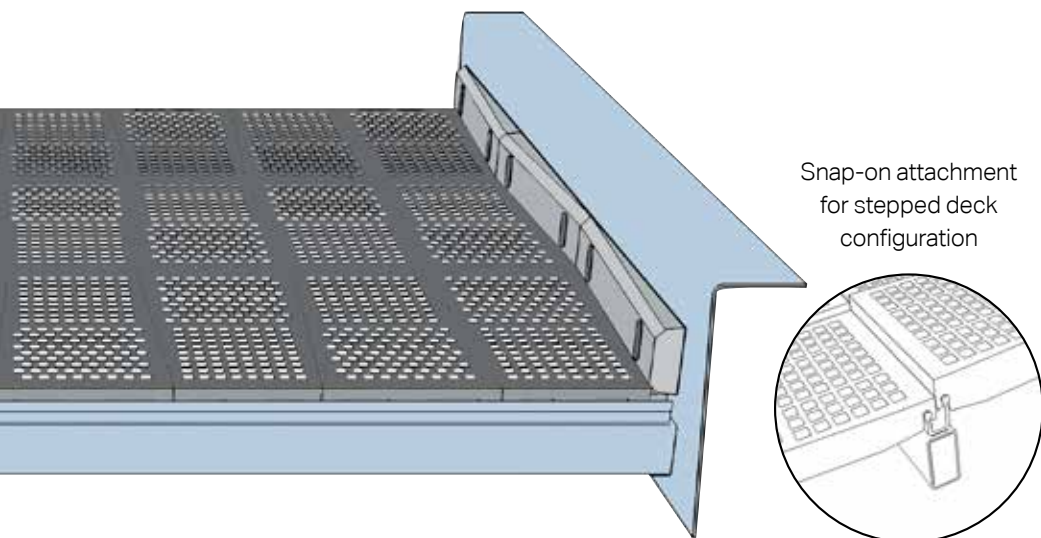
MATERIALS

Wearing material	40 Shore A rubber (50 Shore A in t=2.5 mm).
Reinforcement	Steel frame.
Tensioning device	Snap-on attachment.

APERTURES

Punched holes available in all thicknesses, max. hole size 38 mm.
For larger holes contact your Sandvik Mining and Rock Technology representative.

- FR** Square holes in line (rows staggered): Used under normal conditions.
- FS** Square holes staggered: Used to prevent fines tracking with high fines content or on short screens. Slightly reduced open area.
- SL, SLS** Slots with the material flow: Used when higher capacity is desired, accuracy (oversize control) is less important and to avoid pegging in small apertures.



Snap-on attachment for stepped deck configuration

APPLICATIONS

Sandvik anti-blinding modular screening media is designed primarily for final and intermediate stage screening, generally with separations between 2–16 mm with a max feed lump size between 10–50 mm. Especially suitable for applications with high fines content.

MAX LOAD LIMITATION

2.5 and 3.5 mm	60 kg/m ²
5.5 mm	80 kg/m ²
8 mm	100 kg/m ²
11 mm	120 kg/m ²
15 mm	140 kg/m ²

RECOMMENDED THICKNESS AND AREA OF USE

SEPARATION (MM)	MAX PARTICLE SIZE (MM)*			
	10	20	30	50
2	2.5	2.5	-	-
4 - 6	3.5	3.5	3.5	-
8	3.5, 5.5	3.5, 5.5	5.5	-
10 - 12.5	-	5.5, 8	8	8
16	-	8, 11	8, 11	8, 11
19 - 25.4	-	-	15	15

○ = Recommended area of use ● = Improbable application

* Bulk density max. 1.8 metric ton/m³

● = Borderline case

● = Not recommended

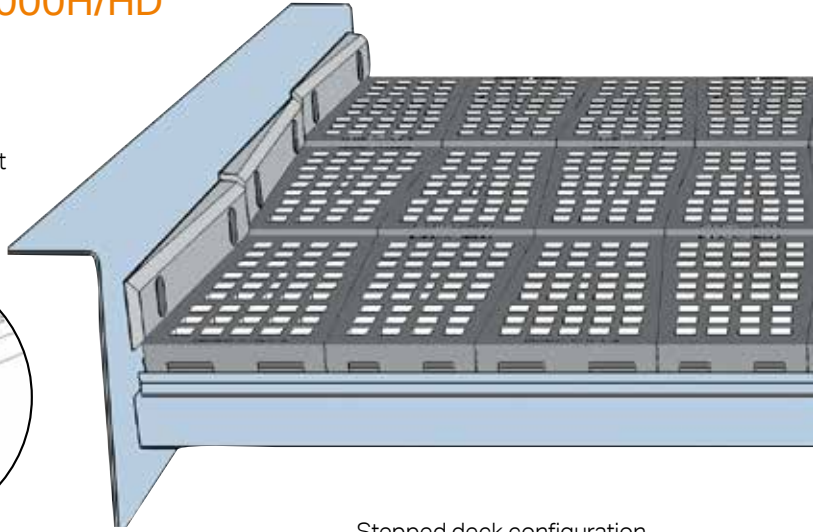
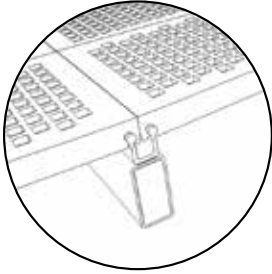
If your application falls outside the limits specified above, please contact your Sandvik Mining and Rock Technology representative.

NOTE

Do not use in applications with any amount of oil present. The recommended hole size should be 1.25–2.5 times the screen panel thickness. Check the bed depth since an excessively high bed depth can cause sagging and an excessively thin bed might make the material bounce.

WM6000 & WM7000H/HD

Snap-on attachment
for flat deck
configuration



Stepped deck configuration

MODULAR RUBBER SCREENING MEDIA

A modular screening media of rubber with punched or moulded openings primarily for fine to medium coarse screening in dry applications with a separation between 10-63 mm and a maximum feed size of 150 mm. .

TYPE

WM6000

Application	Quarrying
Wearing material	60 Shore A rubber
Reinforcement	Steel frame
Tensioning device	Snap-on attachment
Available with both punched and moulded openings	
Thicknesses	
Punched (mm)	8,11,15, 20,25, 30, 35
Moulded (mm)	10, 12,5, 14, 15, 20, 25, 30, 35, 40, 45

WM7000H

Application	Mining/Quarrying
Wearing material	70 Shore A rubber
Reinforcement	Steel frame
Tensioning device	Snap-on attachment
Available with moulded, both square and slotted openings	
Thicknesses	10, 12,5, 14, 15, 20, 25, 30, 35, 40, 45

WM7000HD

Application	Mining
Wearing material	70 Shore A rubber
Reinforcement	Steel frame
Tensioning device	Snap-on attachment
Available with moulded, both square and slotted openings	
Thicknesses	+15 mm on standard thickness for hole sizes larger than 20 mm

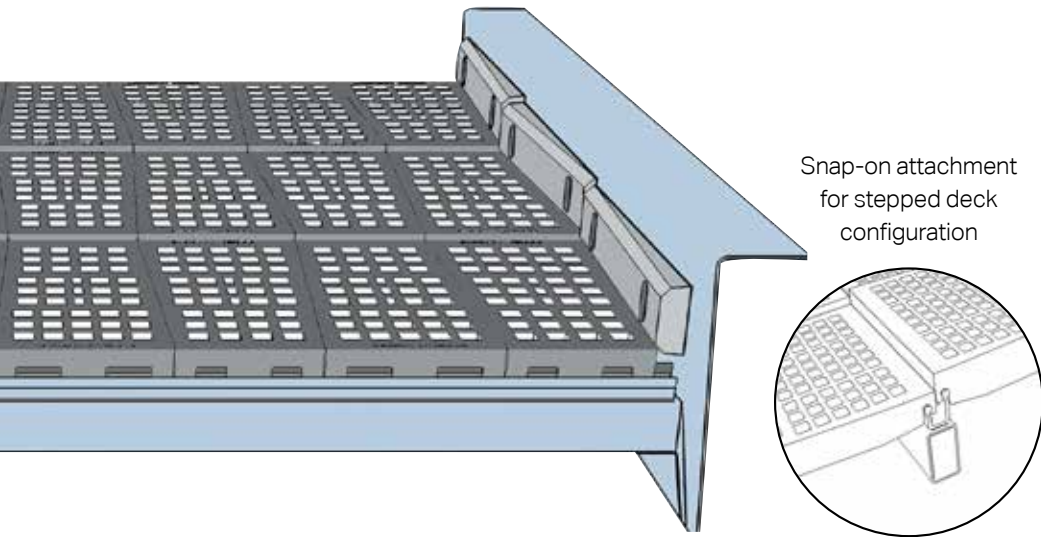
INSTALLATION

On extruded steel profiles mounted crosswise in the screen. Stepped deck configuration using high-low snap-on profiles or flat deck configuration using low-low snap-on profile.

On screens with a width dividable by 300 mm and a length dividable by 600 mm only full modules are needed.

For all others narrow modules and side liner spacers are available.

If the feed drop height exceeds 1 m, either an impact pad or a thicker screen panel should be used at the point of impact.



Snap-on attachment for stepped deck configuration

APERTURES

Max hole size punched: FR88
 Max hole size moulded: FR120

- FR** Square holes in line (rows staggered): Used under normal conditions.
- FS** Square holes staggered: Used to prevent fines tracking with high fines content or on short screens. Slightly reduced open area.
- SL, SLS** Slots with the material flow: Used when higher capacity is desired, accuracy (oversize control) is less important and to avoid pegging in small apertures.
- CR, CS** Round holes: Used for screening coarse crushed material only when extra long wear life is required. Increased risk of pegging. Less open area.

APPLICATIONS

Sandvik modular rubber screening media is designed primarily for final and intermediate stage screening, generally with separations between 10 - 63 mm and a max feed lump size between 20 - 150 mm. WM7000H modules with moulded apertures available primarily for mining applications.

RECOMMENDED THICKNESS AND AREA OF USE

SEPARATION (MM)	MAX PARTICLE SIZE (MM)*									
	10	20	30	50	75	100	125	150	200	250
8	8	8	8	-	-	-	-	-	-	-
10 - 12.5	-	8	8	8, 11	-	-	-	-	-	-
16	-	8, 11	11, 15	11, 15	15	-	-	-	-	-
19 - 25.4	-	-	11, 15	11, 15	15, 20	20	-	-	-	-
31.5	-	-	-	15, 20	15, 20	20, 25	25	-	-	-
37.5	-	-	-	15, 20	25, 25	25, 30	30	-	-	-
45	-	-	-	-	25, 30	30, 35	30, 35	35	-	-
63	-	-	-	-	25, 30	30, 35	35, 45	45	45	-
70 - 90	-	-	-	-	-	45	45	45, 60	45, 60	60

- = Recommended area of use
- = Improbable application
- * Bulk density max. 1.8 metric ton/m³
- = Borderline case
- = Not recommended

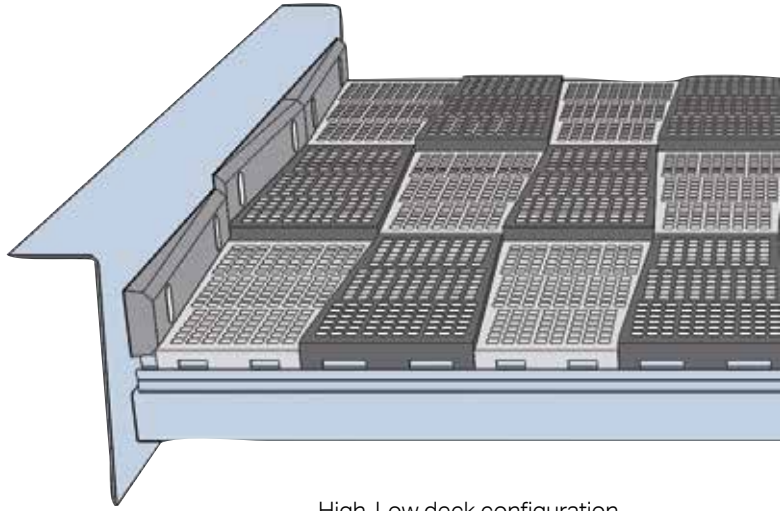
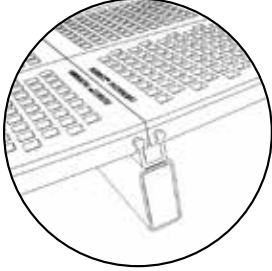
If your application falls outside the limits specified above, please contact your Sandvik Mining and Rock Technology representative.

NOTE

Do not use in applications with any amount of oil present. The recommended hole size should be 1.25 – 2.5 times the screen panel thickness (punched holes).

WM7000

Snap-on attachment
for flat deck
configuration



High-Low deck configuration

MODULAR PU SCREENING MEDIA

A modular screening media of polyurethane with molded openings primarily for fine to medium coarse screening in wet applications with a separation between 1-31,5 mm and a maximum feed size of 100 mm.

TYPE

WM7000 modular polyurethane screening media.

DIMENSIONS

Thickness (mm)	Hole size dependent.
Length (mm)	600
Width (mm)	320 / 265

INSTALLATION

On extruded steel profiles mounted crosswise in the screen. Stepped deck configuration using high-low snap-on profiles, flat deck configuration using low-low snap-on profile or high-low deck configuration using high-low snap-on profiles and thick and thin modules.

On screens with a width dividable by 300 mm and a length dividable by 600 mm only full modules are needed. For all others narrow modules and side liner spacers are available.

If the feed drop height exceeds 1 m, either an impact pad or a thicker screen panel should be used at the point of impact.

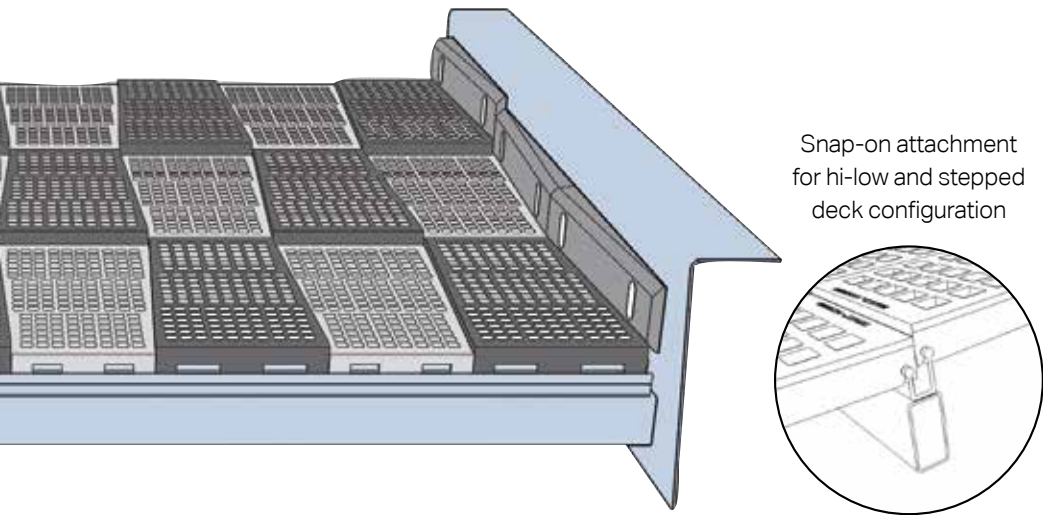
MATERIALS

Wearing material	Polyurethane.
Reinforcement	Steel frame.
Tensioning device	Snap-on attachment.

APERTURES

Moulded holes.

- FR** Square holes 3.5 - 40 mm in line (rows staggered): Used under normal conditions.
- STS** Slots from 0.5 - 3 mm across the material flow: Used for wet screening and in dewatering screens.



Snap-on attachment for hi-low and stepped deck configuration

APPLICATIONS

Sandvik modular polyurethane screening media is used primarily for wet screening in intermediate and final stages, generally with separations between 1 - 31.5 mm and a max feed lump size between 10 - 100 mm.

RECOMMENDED THICKNESS AND AREA OF USE

SEPARATION (MM)	MAX PARTICLE SIZE (MM)**						
	10	20	30	50	75	100	125
Dewatering	*	-	-	-	-	-	-
1 - 2	*	*	-	-	-	-	-
4 - 6	*	*	*	-	-	-	-
8	*	*	*	-	-	-	-
10 - 12.5	-	*	*	*	-	-	-
16	-	*	*	*	*	-	-
19 - 25.4	-	-	*	*	*	*	-
31.5	-	-	-	*	*	*	*
37.5	-	-	-	*	*	*	*

○ = Recommended area of use ● = Improbable application

● = Borderline case

● = Not recommended

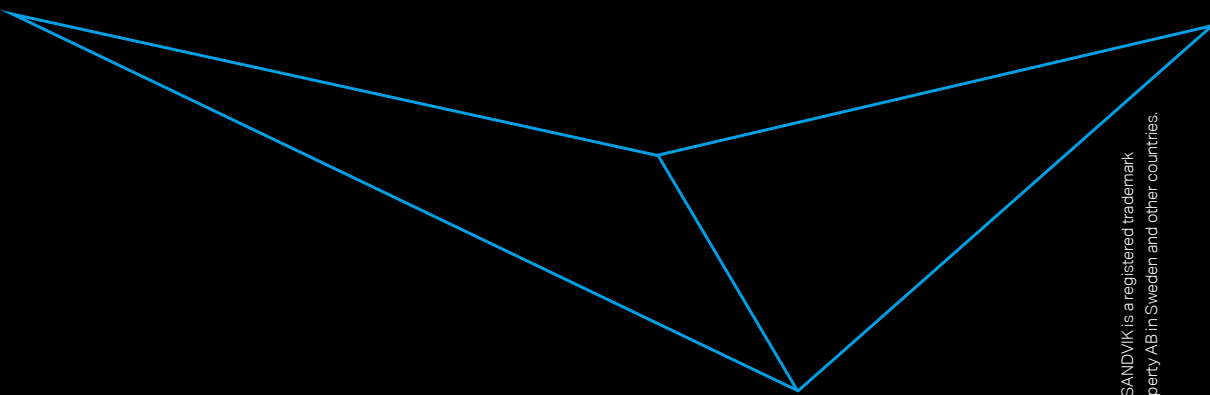
* Sandvik WM7000 modular PU screening media thickness is hole size dependent

** Bulk density max. 1.8 metric ton/m³

If your application falls outside the limits specified above, please contact your Sandvik Mining and Rock Technology representative.

NOTE

Do not use in applications with any amount of oil present.



F5-958/ENG © Sandvik AB 2017 SANDVIK is a registered trademark owned by Sandvik Intellectual Property AB in Sweden and other countries.

Test results are to be considered as results reached under certain and controlled test conditions. These test results should not be treated as specifications and Sandvik does not guarantee, warrant or represent the outcome of test results in any or all circumstances.

CONSTRUCTION.SANDVIK.COM

