



## TECHNOLOGY & TRAINING OPTIMIZE YOUR OUTPUT

CRUSHING AND SCREENING TRAINING OFFERING





# THEORETICAL OPERATION & MAINTENANCE TRAINING

SANDVIK CH800-SERIES CONE CRUSHERS 3.5 days.....	6
SANDVIK CH540 & CH550 CONE CRUSHERS 2.5 days.....	8
SANDVIK CH420, CH430, CH440 & CH660 CONE CRUSHERS 2.5 days.....	10
SANDVIK CJ SERIES JAW CRUSHERS 1.0 day.....	12
SANDVIK CV SERIES VSI CRUSHERS 1.0 day.....	13
SANDVIK CR810 SERIES HYBRID ROLL CRUSHERS 1.0 day.....	14
SANDVIK LF SCREENS 0.5 day.....	15
SANDVIK SP FEEDERS 0.5 day.....	16

# PRACTICAL & THEORETICAL OPERATION & MAINTENANCE TRAINING

SANDVIK CH420, CH430, CH440 & CH660 CONE CRUSHERS 3.5 days (Svedala, Sweden) / 4.5 days (Customer site).....	18
SANDVIK CJ SERIES JAW CRUSHERS 2.5 days.....	20
SANDVIK CV SERIES VSI CRUSHERS 2.0 days.....	21
SANDVIK LF SCREENS 1.0 day.....	22
SANDVIK SP FEEDERS 1.0 day.....	23



A thorough understanding of crushing and screening operation and maintenance is vital in minimizing the risk of a breakdown in your operation while also helping to ensure you maximize your output.

We've developed a comprehensive portfolio of tailored training courses to help operators and maintenance technicians learn the ins and outs of a range of Sandvik crushing and screening equipment. The skills learned and knowledge gained will help optimize your operation and mitigate risks.

Our theoretical and practical courses will teach operators and technicians techniques to extend monthly equipment uptime and overall lifetime and improve output. You'll learn how to reduce unexpected stoppages that are costly and, more importantly, can create safety risks.

If a vital component fails or must be replaced, getting the crusher back online is your top priority. This is why recommended replacement techniques are a core component of our training courses, which focus on fundamental and practical elements of crusher operation and maintenance.

# THEORETICAL OPERATION & MAINTENANCE TRAINING

# SANDVIK CH800-SERIES CONE CRUSHERS THEORETICAL OPERATION & MAINTENANCE TRAINING

## COURSE OBJECTIVES

We've tailored this course for operational and maintenance personnel who work with our Sandvik cone crushers and have limited or some practical experience working with this equipment.

## THIS TRAINING IS DESIGNED TO IMPROVE

- Best operation and maintenance processes for the equipment
- Maximum lifetime of the crusher and its main components
- The uptime of equipment

## COURSE BENEFITS

- Better understanding of how the crusher operates
- Awareness of biggest impacting factors on the crushing process
- Understanding how to replace main components
- Recognizing the value of recommended daily, weekly and monthly checks

## COURSE DURATION

3.5 days

## LOCATION

Customer site (classroom)

## THE TRAINING MATERIAL

The training is a theoretical course and will be held in a classroom on your site. The training material consists of 3D animation and movies in order for the participants to develop a comprehensive understanding of daily, weekly and monthly operation and maintenance of our cone crushers.

## LANGUAGES

Training is currently available in several different languages such as English, Spanish, Russian and Chinese.



## COURSE CONTENT

### HEALTH AND SAFETY

- Review of warning signs and safety regulations in the equipment manual

### PROCESS

- Basics that should be considered in the crushing process
- Material properties like hardness and wear
- Reduction rate of material and reduction limitations

### REVIEW OF THE INTERACTIVE TRAINING MATERIAL (USB STICK)

- Walkthrough and basic navigation of interactive training material

### THEORETICAL REVIEW OF THE CRUSHER COMPONENTS

- Top shell components
- Main shaft components
- Bottom shell components
- Eccentric components
- Pinion shaft components
- Hydroset system function and components
- Main lubrication oil system function and components
- Pinion shaft lubrication system function and components
- Dump valve function and components

### TANK INSTRUMENTATION MONITORING SYSTEM (TIMS)

- Description of TIMS and its functions

### OPERATION AND MAINTENANCE OF CRUSHER

- Review of daily service and maintenance points for the crusher and potential operational consequences if these are not followed
- Review of weekly service and maintenance points for the crusher and potential operational consequences if these are not followed
- Review of monthly service and maintenance points for the crusher and potential operational consequences if these are not followed

### CRUSHING CHAMBERS AND FEEDING THE CRUSHER

- Minimizing compaction in the crusher
- Minimizing segregation when feeding the crusher
- Different types of crushing chambers and their different benefits
- Wear patterns in the crushing chamber
- The importance of the feed for a good crushing operation



### CRUSHER CONTROL SYSTEM ASRi

- Why ASRi, description of ASRi system functions
- Review of ASRi screens
- Setup of ASRi programs for the crusher
- Simple trouble shooting using ASRi
- Practical exercises with ASRi simulator

If you'd like further information, please email: [trainings@sandvik.com](mailto:trainings@sandvik.com)

# SANDVIK CH540 & CH550 CONE CRUSHERS THEORETICAL OPERATION & MAINTENANCE TRAINING

## COURSE OBJECTIVES

We've developed this course to enhance operational and maintenance awareness and skills for those who work with our Sandvik CH540 and Sandvik CH550 cone crushers.

## THIS TRAINING IS DESIGNED TO IMPROVE

- Best operation and maintenance processes for the equipment
- Optimization and adjustment of the crushers
- Maximum lifetime of the crusher and its main components
- Equipment uptime

## COURSE BENEFITS

- Better understanding of how the crusher operates
- Awareness of biggest impacting factors on the crushing process
- Understanding how to replace main components
- Recognizing the value of recommended daily, weekly and monthly checks

## COURSE DURATION

2.5 days

## LOCATION

Sandvik or customer site (classroom)

## THE TRAINING MATERIAL

This basic course in operation and maintenance of cone crushers covers our Sandvik CH540 and Sandvik CH550. The training is a theoretical course. The training material consists of 3D animation and movies in order for the participants to develop a comprehensive understanding of daily, weekly and monthly operation and maintenance of these cone crushers.

## LANGUAGES

Training is currently available in English. Additional languages will be offered in the future.





## COURSE CONTENT

### HEALTH AND SAFETY

- Review of the safety regulations in the manual

### PROCESS

- Basics that should be considered in the crushing process
- Material properties, such as hardness and wear
- Reduction rate of material and limits

### REVIEW OF THE INTERACTIVE TRAINING MATERIAL (USB STICK)

- Walkthrough and basic navigation of interactive training material

### THEORETICAL REVIEW OF THE CRUSHER COMPONENTS

- Top shell components
- Main shaft components
- Bottom shell components
- Eccentric components
- Pinion shaft components
- Hydroset system function and components
- Lubrication oil system function and components

### OPERATION AND MAINTENANCE OF THE CRUSHER

- Review of daily service and maintenance points for the crusher and potential operational consequences if these are not followed
- Review of weekly service and maintenance points for the crusher and potential operational consequences if these are not followed
- Review of monthly service and maintenance points for the crusher and potential operational consequences if these are not followed

### CRUSHING CHAMBERS AND FEEDING THE CRUSHER

- Minimizing compaction in the crusher
- Minimizing segregation when feeding the crusher
- Different types of crushing chambers and their different benefits
- Wear patterns in the crushing chamber
- The importance of the feed for an efficient crushing operation

### THE CRUSHER CONTROL SYSTEM ASRi

- Why ASRi, description of ASRi system functions
- Review of ASRi screens
- Setup of ASRi programs for the crusher
- Simple trouble shooting using ASRi
- Practical exercises with ASRi simulator

If you'd like further information,  
please email: [trainingscs@sandvik.com](mailto:trainingscs@sandvik.com)



# SANDVIK CH420, CH430, CH440 & CH660 CONE CRUSHERS THEORETICAL OPERATION & MAINTENANCE TRAINING

## COURSE OBJECTIVES

We've tailored this course to operators and maintenance personnel who work with our Sandvik CH420, Sandvik CH430, Sandvik CH440 and Sandvik CH660 cone crushers, to enhance their awareness and skills.

## THIS TRAINING IS DESIGNED TO IMPROVE

- Best operation and maintenance processes for the equipment
- Optimization and adjustment of the crushers
- Maximum lifetime of the crusher and its main components
- Equipment uptime

## COURSE BENEFITS

- Better understanding of how the crusher operates
- Awareness of biggest impacting factors on the crushing process
- Understanding how to replace main components
- Recognizing the value of recommended daily, weekly and monthly checks

## COURSE DURATION

2.5 days

## LOCATION

Sandvik or customer site (classroom training)

## THE TRAINING MATERIAL

This basic course in operation and maintenance of cone crusher covers Sandvik CH420, CH430, CH440 and Sandvik CH660. The training is a theoretical course. The training material consists of 3D animation and movies in order for the participants to develop a comprehensive understanding of daily, weekly and monthly operation and maintenance of these cone crushers.

## LANGUAGES

Training is currently available in several different languages such as English, Spanish, Portuguese, Swedish, French, Russian and Chinese.



## COURSE CONTENT

### HEALTH AND SAFETY

- Review of warning signs and safety regulations in the equipment manual

### PROCESS

- Basics that should be considered in the crushing process
- Material properties, such as hardness and wear
- Reduction rate of material and reduction limitations

### REVIEW OF THE INTERACTIVE TRAINING MATERIAL (USB STICK)

- Walkthrough and basic navigation in interactive training material

### THEORETICAL REVIEW OF THE CONE CRUSHER COMPONENTS

- Top shell components
- Main shaft components
- Bottom shell components
- Eccentric components
- Pinion shaft components
- Hydroset system function and components
- Lubrication oil system function and components

### OPERATION AND MAINTENANCE OF THE CRUSHER

- Review of daily service and maintenance points for the crusher and potential operational consequences if these are not followed
- Review of weekly service and maintenance points for the crusher and potential operational consequences if these are not followed
- Review of monthly service and maintenance points for the crusher and potential operational consequences if these are not followed

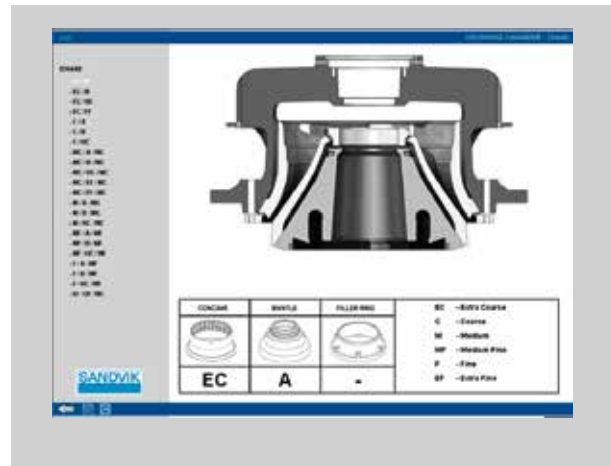
### CRUSHING CHAMBERS AND FEEDING THE CRUSHER

- Minimizing compaction in the crusher
- Minimizing segregation when feeding the crusher
- Different types of crushing chambers and their different benefits
- Wear patterns in the crushing chamber
- The importance of the feed for an efficient crushing operation

### THE CRUSHER CONTROL SYSTEM ASRi

- Why ASRi, description of ASRi system functions
- Review of ASRi screens
- Setup of ASRi programs for the crusher
- Simple trouble shooting using ASRi
- Practical exercises with ASRi simulator

If you'd like further information,  
please email: [trainingscs@sandvik.com](mailto:trainingscs@sandvik.com)



# SANDVIK CJ SERIES JAW CRUSHERS THEORETICAL OPERATION & MAINTENANCE TRAINING

## PARTICIPANTS

We've tailored this course for operators and maintenance personnel, who work with Sandvik jaw crushers and have limited or no prior experience with the equipment.

## THIS TRAINING IS DESIGNED TO IMPROVE

- Best operation and maintenance processes for the equipment
- Maximum lifetime of the crusher and its main components
- The uptime of equipment

## COURSE BENEFITS

- Better understanding of how the crusher operates
- Awareness of biggest impacting factors on the crushing process
- Recognizing the value of recommended daily, weekly and monthly checks

## COURSE DURATION

1.0 day

## LOCATION

Sandvik or customer site (classroom training)

## LANGUAGES

The training will be held in English, French or Spanish. Additional languages are available on request.

## THE TRAINING MATERIAL

The training is a theoretical course and will be held in a classroom. The training material consists of 3D animation and movies in order for the participants to develop a comprehensive understanding of daily, weekly and monthly operation and maintenance of our jaw crushers.

## COURSE CONTENT

### HEALTH AND SAFETY

- Review of warning signs and safety regulations in the equipment manual

### REVIEW OF THE INTERACTIVE TRAINING MATERIAL (USB STICK)

- Walkthrough and basic navigation of interactive training material



## THEORETICAL REVIEW OF THE JAW CRUSHER COMPONENTS

- Frame and fixed jaw
- Moving jaw
- Eccentric shaft
- Drive
- Hydraulic system
- Lubrication system
- Auxilliary equipment

## OPERATION AND MAINTENANCE OF JAW CRUSHERS

- Review of daily, weekly and monthly service and maintenance points for the crusher and operational consequences that could potentially occur if these are not followed.

If you'd like further information,  
please email: [trainingscs@sandvik.com](mailto:trainingscs@sandvik.com)

# SANDVIK CV SERIES VSI CRUSHERS THEORETICAL OPERATION & MAINTENANCE TRAINING

## PARTICIPANTS

We've tailored this course for operators and maintenance personnel, who work with Sandvik VSI crushers and have limited or no prior experience with the equipment.

## THIS TRAINING IS DESIGNED TO IMPROVE

- Best operation and maintenance processes for the equipment
- Maximum lifetime of the crusher and its main components
- The uptime of equipment

## COURSE BENEFITS

- Better understanding of how the crusher operates
- Awareness of biggest impacting factors on the crushing process
- Recognizing the value of recommended daily, weekly and monthly checks

## COURSE DURATION

1.0 day

## LOCATION

Sandvik or customer site (classroom training)

## LANGUAGES

The training will be held in English.  
Additional languages are available.

## THE TRAINING MATERIAL

The training is a theoretical course and will be held in a classroom. The training material consists of 3D animation and movies in order for the participants to develop a comprehensive understanding of daily, weekly and monthly operation and maintenance of Sandvik VSI crushers.

## COURSE CONTENT

- Product safety
- Crushing process awareness
- Navigation in virtual training module
- Crusher components and functions
- Operation and maintenance of the crusher (daily, weekly and monthly service)
- The importance of feed arrangement



## HEALTH AND SAFETY

- Review of warning signs and safety regulations in the equipment manual

## REVIEW OF THE INTERACTIVE TRAINING MATERIAL (USB STICK)

- Walkthrough and basic navigation of interactive training material

If you'd like further information,  
please email: [trainingcs@sandvik.com](mailto:trainingcs@sandvik.com)

# SANDVIK CR810 SERIES HYBRID ROLL CRUSHERS THEORETICAL OPERATION & MAINTENANCE TRAINING

## PARTICIPANTS

We've tailored this course for operators and maintenance personnel, who work with Sandvik hybrid crusher and have limited or no prior experience working with the equipment.

## THIS TRAINING IS DESIGNED TO IMPROVE

- Best operation and maintenance processes for the equipment
- Maximum lifetime of the crusher and its main components
- The uptime of equipment

## COURSE BENEFITS

- Better understanding of how the crusher operates
- Awareness of biggest impacting factors on the crushing process
- Recognizing the value of recommended daily, weekly and monthly checks

## COURSE DURATION

1.0 day

## LOCATION

Sandvik or customer site (classroom training)

## LANGUAGES

The training will be held in English

## THE TRAINING MATERIAL

The training is a theoretical course and will be held in a classroom. The training material consists of PowerPoint presentations, movies and manual walkthrough, in order for the participants to develop a comprehensive understanding of daily, weekly and monthly operation and maintenance of our hybrid crusher.

## COURSE CONTENT

### HEALTH AND SAFETY

- Review of warning signs and safety regulations in the equipment manual



## BASICS THAT SHOULD BE CONSIDERED IN THE CRUSHING PROCESS

- Feeding of the crusher
- Material properties, such as hardness and wear
- Reduction rate of material

## THEORETICAL REVIEW OF THE HYBRID ROLL CRUSHER COMPONENTS

- Main components
- Segments
- Lubrication pump
- Hydraulic pump
- Bearings

## OPERATION AND MAINTENANCE OF THE HYBRID ROLL CRUSHERS

- Review of service and maintenance points for our hybrid crushers and potential risks if these are not followed

If you'd like further information, please email: [trainingcs@sandvik.com](mailto:trainingcs@sandvik.com)

# SANDVIK LF SCREENS THEORETICAL OPERATION & MAINTENANCE TRAINING

## PARTICIPANTS

We've tailored this course for operators and maintenance personnel, who work with Sandvik LF screens.

## THIS TRAINING IS DESIGNED TO IMPROVE

- Best operation and maintenance processes for the equipment
- Maximum lifetime of the screen and its main components
- The uptime of equipment

## COURSE BENEFITS

- Better understanding of how the screen operates
- Awareness of biggest impacting factors on the screening process
- Recognizing the value of recommended daily, weekly and monthly checks

## COURSE DURATION

0.5 day

## LOCATION

Sandvik or customer site (classroom training)

## LANGUAGES

The training will be held in English.  
Additional languages are available.

## THE TRAINING MATERIAL

The training is a theoretical course and will be held in a classroom. The training material is based on PowerPoint presentations, movies of specific operations and features of Sandvik LF screen.

## COURSE CONTENT

### HEALTH AND SAFETY

- Review of warning signs and safety regulations in the equipment manual

### PROCESS

- Basics that should be considered in the screening process



## THEORETICAL REVIEW OF THE SANDVIK LF SCREEN AND ITS COMPONENTS

- Screen deck
- Feed box
- Friction brake
- Spring support
- Mechanism guard
- Side plate
- Motor
- Motor base

## OPERATION AND MAINTENANCE OF THE SANDVIK LF SCREEN

- Review of service and maintenance points for Sandvik LF screens and potential operational consequences if these are not followed

If you'd like further information,  
please email: [trainingcs@sandvik.com](mailto:trainingcs@sandvik.com)

# SANDVIK SP FEEDERS THEORETICAL OPERATION & MAINTENANCE TRAINING

## PARTICIPANTS

We've tailored this course for operators and maintenance personnel, who work with Sandvik SP feeders.

## THIS TRAINING IS DESIGNED TO IMPROVE

- Best operation and maintenance processes for the equipment
- Maximum lifetime of the feeder and its main components
- The uptime of equipment

## COURSE BENEFITS

- Better understanding of how the feeder operates
- Awareness of biggest impacting factors on the feeding process
- Recognizing the value of recommended daily, weekly and monthly checks

## COURSE DURATION

0.5 day

## LOCATION

Sandvik or customer site (classroom training)

## LANGUAGES

The training will be held in English. Additional languages are available.

## THE TRAINING MATERIAL

The training is a theoretical course and will be held in a classroom. The training material is based on PowerPoint presentations, movies of specific operations and features of Sandvik SP feeder.

## COURSE CONTENT

### HEALTH AND SAFETY

- Review of warning signs and safety regulations in the equipment manual

### PROCESS

- Basics that should be considered in the feeding process



## THEORETICAL REVIEW OF THE SANDVIK SP FEEDER AND ITS COMPONENTS

- Basic safety
- Components and their functionalities
- Operation and maintenance
- Specific equipment risks
- Adjusting the feeder

## OPERATION AND MAINTENANCE OF THE SANDVIK SP FEEDER

- Review of service and maintenance points for Sandvik SP feeders and potential operational consequences if these are not followed

If you'd like further information, please email: [trainingcs@sandvik.com](mailto:trainingcs@sandvik.com)



# PRACTICAL & THEORETICAL OPERATION & MAINTENANCE TRAINING

# SANDVIK CH420, CH430, CH440 & CH660 CONE CRUSHERS PRACTICAL & THEORETICAL OPERATION & MAINTENANCE TRAINING

## COURSE OBJECTIVES

We've developed this course to enhance operational and maintenance awareness and skills for those who work with our Sandvik CH420, Sandvik CH430, Sandvik CH440 and Sandvik CH660 cone crushers.

## THIS TRAINING IS DESIGNED TO IMPROVE

- Best operation and maintenance processes for the equipment
- Optimization and adjustment of the crushers
- Maximum lifetime of the crusher and its main components
- The uptime of equipment

## COURSE BENEFITS

- Hands-on work with a cone crusher
- Better understanding of how the crusher operates
- Awareness of biggest impacting factors on the crushing process
- Understanding how to replace main components
- Recognizing the value of recommended daily, weekly and monthly checks

## COURSE DURATION

3.5 days or 4.5 days

## LOCATION

Svedala, Sweden (3.5 days), Customer site (4.5 days)

## THE TRAINING MATERIAL

This basic course in operation and maintenance of cone crusher covers Sandvik CH420, 430, 440 and Sandvik 660. The training is a theoretical and practical course. The training material consists of 3D animation and movies in order for the participants to develop a comprehensive understanding of daily, weekly and monthly operation and maintenance of these cone crushers. Practical disassembly and reassembly will be performed on a Sandvik CH440 in the Svedala course.

## LANGUAGES

Training is currently available in several different languages such as English, Spanish, Portuguese, Swedish, French, Russian and Chinese.



## COURSE CONTENT

### HEALTH AND SAFETY

- Review of warning signs and safety regulations in the equipment manual

### PROCESS

- Basics that should be considered in the crushing process
- Material properties, such as hardness and wear
- Reduction rate of material and reduction limitations

### REVIEW OF THE INTERACTIVE TRAINING MATERIAL (USB STICK)

- Walkthrough and basic navigation in interactive training material

### THEORETICAL REVIEW OF THE CONE CRUSHER COMPONENTS

- Top shell components
- Main shaft components
- Bottom shell components
- Eccentric components
- Pinion shaft components
- Hydroset system function and components
- Lubrication oil system function and components

### OPERATION AND MAINTENANCE OF THE CRUSHER

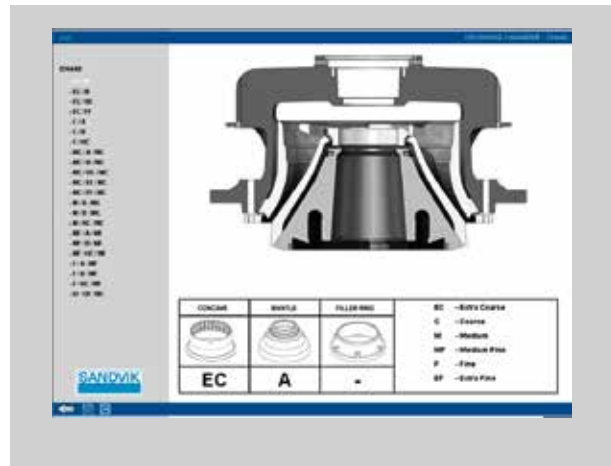
- Review of daily service and maintenance points for the crusher and potential operational consequences if these are not followed
- Review of weekly service and maintenance points for the crusher and potential operational consequences if these are not followed
- Review of monthly service and maintenance points for the crusher and potential operational consequences if these are not followed

### CRUSHING CHAMBERS AND FEEDING THE CRUSHER

- Minimizing compaction in the crusher
- Minimizing segregation when feeding the crusher
- Different types of crushing chambers and their different benefits
- Wear patterns in the crushing chamber
- The importance of the feed for an efficient crushing operation

### PRACTICAL DISASSEMBLY AND REASSEMBLY OF THE CRUSHER

- To prepare a proper disassembly of the crusher
- Checks to be performed before disassembling the crusher
- Dismantling of the crushers main components the proper way
- Change throw in the crusher's eccentric bushing in the correct manner
- Reassembly of the crushers main components correctly



### THE CRUSHER CONTROL SYSTEM ASRI

- Why ASRI, description of ASRI system functions
- Review of ASRI screens
- Setup of ASRI programs for the crusher
- Simple trouble shooting using ASRI
- Practical exercises with ASRI simulator

If you'd like further information,  
please email: [trainingcs@sandvik.com](mailto:trainingcs@sandvik.com)

# SANDVIK CJ SERIES JAW CRUSHERS PRACTICAL & THEORETICAL OPERATION & MAINTENANCE TRAINING

## PARTICIPANTS

We've tailored this course for operators and maintenance personnel, who work with Sandvik jaw crushers and have limited or no prior experience with the equipment.

## THIS TRAINING IS DESIGNED TO IMPROVE

- Best operation and maintenance processes for the equipment
- Hands on work with jaw crusher
- Maximum lifetime of the crusher and its main components
- The uptime of equipment

## COURSE BENEFITS

- Hands-on work with a jaw crusher
- Better understanding of how the crusher operates
- Awareness of biggest impacting factors on the crushing process
- Recognizing the value of recommended daily, weekly and monthly checks

## COURSE DURATION

2.5 day

## LOCATION

Customer site

## LANGUAGES

The training will be held in English, French or Spanish. Additional languages are available on request.

## THE TRAINING MATERIAL

The training is a theoretical and practical course and will be held in a classroom. The training material consists of 3D animation and movies in order for the participants to develop a comprehensive understanding of daily, weekly and monthly operation and maintenance of our jaw crushers.

## COURSE CONTENT

### HEALTH AND SAFETY

- Review of warning signs and safety regulations in the equipment manual

### REVIEW OF THE INTERACTIVE TRAINING MATERIAL (USB STICK)

- Walkthrough and basic navigation of interactive training material



## THEORETICAL REVIEW OF THE JAW CRUSHER COMPONENTS

- Frame and fixed jaw
- Moving jaw
- Eccentric shaft
- Drive
- Hydraulic system
- Lubrication system
- Auxilliary equipment

## OPERATION AND MAINTENANCE OF JAW CRUSHERS

- Review of service and maintenance points for the crusher and operational consequences that could potentially occur if these are not followed.

## PRACTICAL DISASSEMBLY AND REASSEMBLY OF THE CRUSHER

- To prepare a proper disassembly of the crusher
- Checks to be performed before disassembling the crusher
- Dismantling of the crushers main components the proper way
- Reassembly of the crushers main components correctly

If you'd like further information, please email: [trainingcs@sandvik.com](mailto:trainingcs@sandvik.com)

# SANDVIK CV SERIES VSI CRUSHERS PRACTICAL & THEORETICAL OPERATION & MAINTENANCE TRAINING

## PARTICIPANTS

We've tailored this course for operators and maintenance personnel, who work with Sandvik VSI crushers and have limited or no prior experience with the equipment.

## THIS TRAINING IS DESIGNED TO IMPROVE

- Best operation and maintenance processes for the equipment
- Maximum lifetime of the crusher and its main components
- The uptime of equipment

## COURSE BENEFITS

- Hands-on work with a VSI crusher
- Better understanding of how the crusher operates
- Awareness of biggest impacting factors on the crushing process
- Recognizing the value of recommended daily, weekly and monthly checks

## COURSE DURATION

2.0 days

## LOCATION

Customer site

## LANGUAGES

The training will be held in English.  
Additional languages are available.

## THE TRAINING MATERIAL

The training is a theoretical and practical course and will be held in a classroom. The training material consists of 3D animation and movies in order for the participants to develop a comprehensive understanding of daily, weekly and monthly operation and maintenance of Sandvik VSI crushers.

## COURSE CONTENT

- Product safety
- Crushing process awareness
- Navigation in virtual training module
- Crusher components and functions
- Operation and maintenance of the crusher (daily, weekly and monthly service)
- The importance of feed arrangement



## HEALTH AND SAFETY

- Review of warning signs and safety regulations in the equipment manual

## REVIEW OF THE INTERACTIVE TRAINING MATERIAL (USB STICK)

- Walkthrough and basic navigation of interactive training material

## PRACTICAL DISASSEMBLY AND REASSEMBLY OF THE CRUSHER

- To prepare a proper disassembly of the crusher
- Checks to be performed before disassembling the crusher
- Disassembly wear components in the crushing chamber.
- Assembly the wear components in the crushing chamber

If you'd like further information,  
please email: [trainingcs@sandvik.com](mailto:trainingcs@sandvik.com)

# SANDVIK LF SCREENS PRACTICAL & THEORETICAL OPERATION & MAINTENANCE TRAINING

## PARTICIPANTS

We've tailored this course for operators and maintenance personnel, who work with Sandvik LF screens.

## THIS TRAINING IS DESIGNED TO IMPROVE

- Best operation and maintenance processes for the equipment
- Maximum lifetime of the screen and its main components
- The uptime of equipment

## COURSE BENEFITS

- Hands-on work with a screen
- Better understanding of how the screen operates
- Awareness of biggest impacting factors on the screening process
- Recognizing the value of recommended daily, weekly and monthly checks

## COURSE DURATION

1.0 day

## LOCATION

Customer site

## LANGUAGES

The training will be held in English.  
Additional languages are available.

## THE TRAINING MATERIAL

The training is a theoretical and practical course and will be held in a classroom. The training material is based on PowerPoint presentations, movies of specific operations and features of Sandvik LF screen.

## COURSE CONTENT

### HEALTH AND SAFETY

- Review of warning signs and safety regulations in the equipment manual

### PROCESS

- Basics that should be considered in the screening process



## THEORETICAL REVIEW OF THE SANDVIK LF SCREEN AND ITS COMPONENTS

- Screen deck
- Feed box
- Friction brake
- Spring support
- Mechanism guard
- Side plate
- Motor
- Motor base

## OPERATION AND MAINTENANCE OF THE SANDVIK LF SCREEN

- Review of service and maintenance points for Sandvik LF screens and potential operational consequences if these are not followed

## PRACTICAL DISASSEMBLY AND REASSEMBLY OF THE SCREEN

- Change screening media
- Change and inspect stroke setting
- Inspection of dust insulation

If you'd like further information,  
please email: [trainingcs@sandvik.com](mailto:trainingcs@sandvik.com)

# SANDVIK SP FEEDERS PRACTICAL & THEORETICAL OPERATION & MAINTENANCE TRAINING

## PARTICIPANTS

We've tailored this course for operators and maintenance personnel, who work with Sandvik SP feeders.

## THIS TRAINING IS DESIGNED TO IMPROVE

- Best operation and maintenance processes for the equipment
- Maximum lifetime of the feeder and its main components
- The uptime of equipment

## COURSE BENEFITS

- Hands-on work with a feeder
- Better understanding of how the feeder operates
- Awareness of biggest impacting factors on the feeding process
- Recognizing the value of recommended daily, weekly and monthly checks

## COURSE DURATION

1.0 day

## LOCATION

Customer site

## LANGUAGES

The training will be held in English.  
Additional languages are available.

## THE TRAINING MATERIAL

The training is a theoretical and practical course and will be held in a classroom. The training material is based on PowerPoint presentations, movies of specific operations and features of Sandvik SP feeder.

## COURSE CONTENT

### HEALTH AND SAFETY

- Review of warning signs and safety regulations in the equipment manual

### PROCESS

- Basics that should be considered in the feeding process



## THEORETICAL REVIEW OF THE SANDVIK SP FEEDER AND ITS COMPONENTS

- Basic safety
- Components and their functionalities
- Operation and maintenance
- Specific equipment risks
- Installation of feeder
- Adjusting the feeder

## OPERATION AND MAINTENANCE OF THE SANDVIK SP FEEDER

- Review of service and maintenance points for Sandvik SP feeders and potential operational consequences if these are not followed

## PRACTICAL DISASSEMBLY AND REASSEMBLY OF THE FEEDER

- Change of wear components
- Change and inspection of stroke setting
- Inspection of dust insulation

If you'd like further information,  
please email: [trainingcs@sandvik.com](mailto:trainingcs@sandvik.com)

